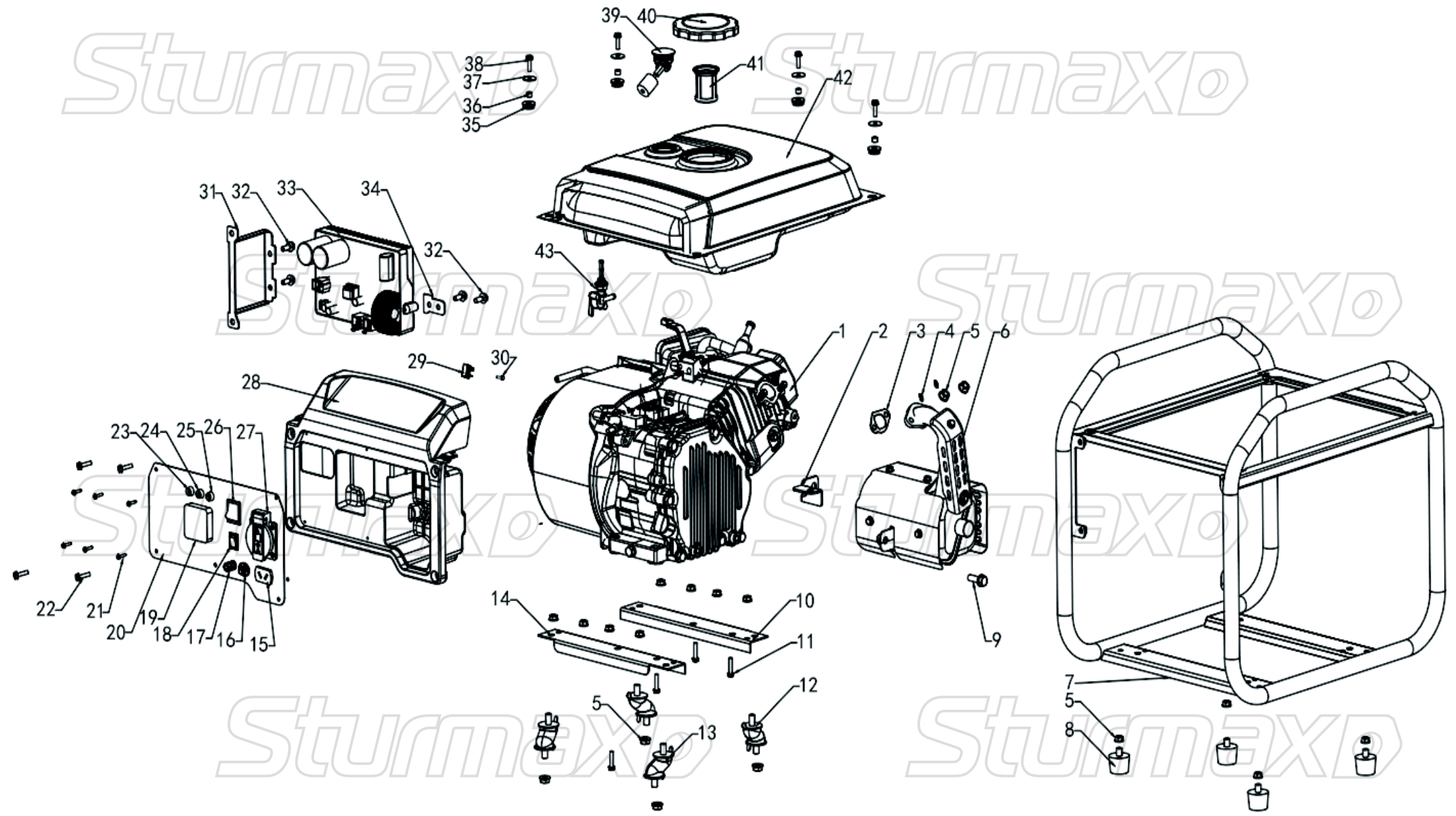


Sturmaxo



Sturmaxo

Sturmaxo

Sturmax

Sturmax

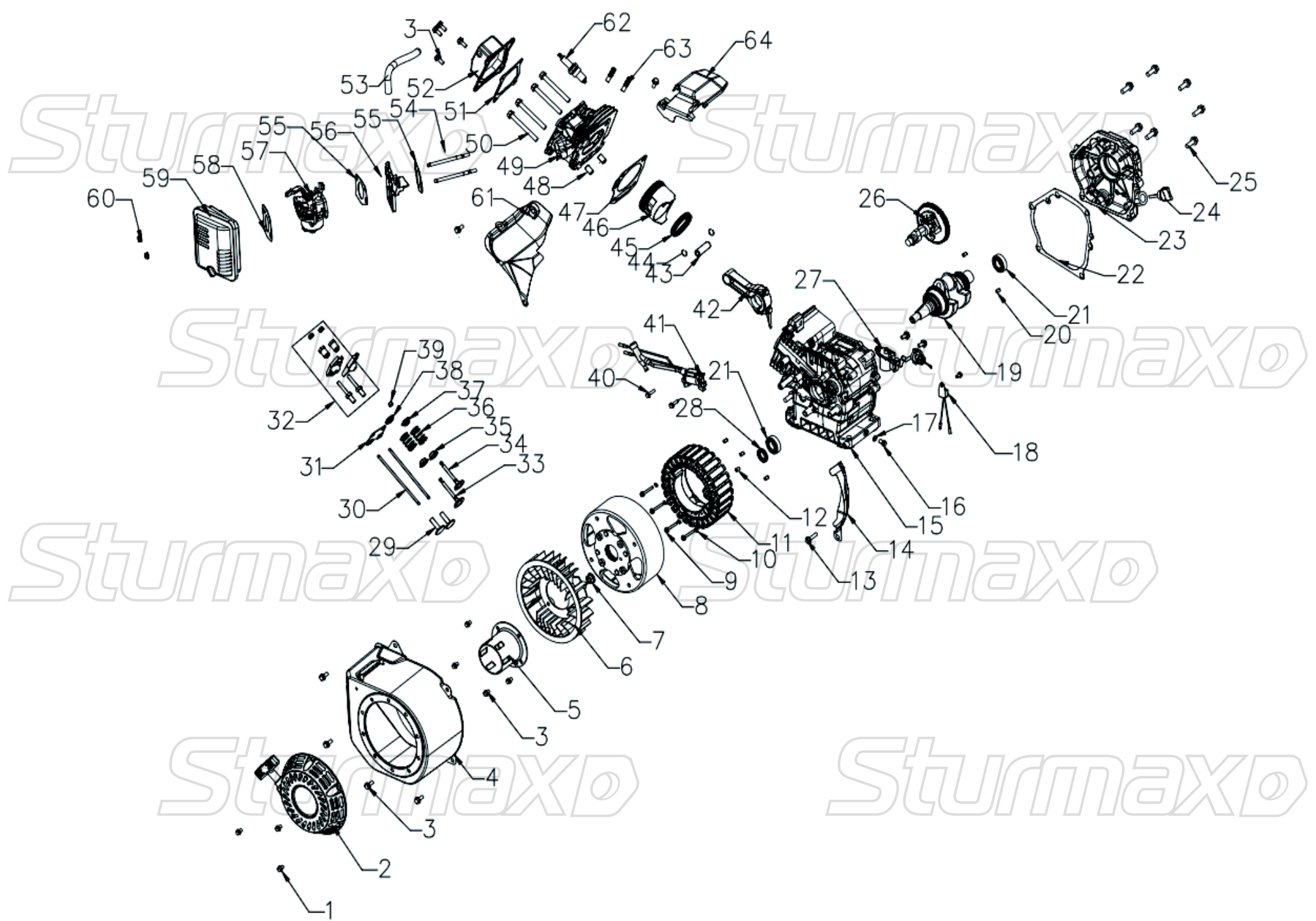
PGM8730I

NO	DESCRIPTION	NO	DESCRIPTION
1	ENGINE	23	OIL INDICATOR LAMP
2	MUFFLER BRACKET	24	OUTPUT INDICATOR LAMP
3	MUFFLER GASKET	25	MALFUNCTION INDICATOR LAMP
4	SPRING WASHERS ϕ 8	26	STARTER SWITCH
5	NUT,FLANGE M8	27	EUROPEAN SOCKET
6	MUFFLER	28	PANEL
7	FRAME	29	RECTIFIER BRIDGE
8	RUBBER FOOT	30	BOLT,FLANGE M5*20
9	BOLT,FLANGE M8*16	31	MOUNTING BRACKET
10	BACK BRACKET	32	BOLT,FLANGE M6*12
11	BOLT,FLANGE M8*35	33	FREQUENCY CONVERSION MODULE
12	RUBBER BOTTOM	34	MODULE CLAMP
13	RUBBER BOTTOM	35	WIND SCOOP GASKET
14	FRONT BRACKET	36	PIN 6.5*9*7.5
15	DC SOCKET	37	FLAT WASHER
16	DC PROTECTOR	38	BOLT,FLANGE M6*22
17	GROUND BOLT	39	OIL LEVEL INDICATOR
18	ENERGY SAVING SWITCH	40	FUEL TANK CAP
19	DIGITAL VOLTAGE METER	41	FILTER TANK
20	PANEL	42	FUEL TANK
21	SCREWS ST3.5*13F	43	FUEL TANK SWITCH
22	BOLT,FLANGE M6*16		

PGM8730I-EX-UKW231113PG

Sturmax

Sturmax



ENGINE FOR PGM8730I

NO	DESCRIPTION	NO	DESCRIPTION
1	FLANGE BOLT M6*8	33	INTAKE VALVE
2	RECOIL STARTER ASSY	34	EXHAUST VALVE
3	FLANGE BOLT M6*12	35	OIL CAP
4	FAN COVER	36	VALVE SPRING
5	STARTER PULLEY	37	EXHAUST VALVE SPRING SEAT
6	COOLING FAN	38	INTAKE VALVE SPRING SEAT
7	NUT M14*1.5	39	TOP CAP
8	ROTOR	40	FLANGE BOLT M6*25
9	FLANGE BOLT M6*55	41	HIGH VOLTAGE SET
10	SPRING WASHERS Φ6	42	CONNECTING ROD
11	STATOR	43	PISTON PIN
12	PIN,DOWEL 8*14	44	PISTON PIN CLIP
13	FLANGE BOLT M6*22	45	PISTON RING
14	PLATE SIDE	46	PISTON
15	CRANKCASE	47	CYLINDER HEAD GASKET
16	DRAIN PLUG	48	PIN,DOWEL 10*16
17	DRAIN PLUG WASHER	49	CYLINDER HEAD
18	PROTECTOR	50	FLANGE BOLT M8*58
19	CRANKSHAFT	51	CYLINDER COVER GASKET
20	PIN,DOWEL 8*14	52	CYLINDER HEAD COVER
21	BEARING 6205	53	BREATHER TUBE
22	CRANKSCASE GASKET	54	BOLT M6*90
23	CRANKCASE COVER	55	CARBURETOR GASKET
24	OIL GAUGE	56	INSULATION BOARD
25	FLANGE BOLT M8*32	57	CARBURETOR
26	CAMSHAFT	58	AIR FILTER GASKET
27	OIL LEVEL SENSOR	59	AIR FILTER
28	OIL SEAL	60	NUT,FLANGE M6
29	VALVE LIFTER	61	SHROUD COMP
30	PUSHING ROD	62	SPARK PLUG
31	PLATE PUSH ROD GUIDE	63	BOLT M8*32
	NUT,PIVOT ADJUSTING	64	WIND BOARD
32	PIVOT,ROCKER ARM		
	VALVE ROCKER		
	BOLT,PIVOT ARM		