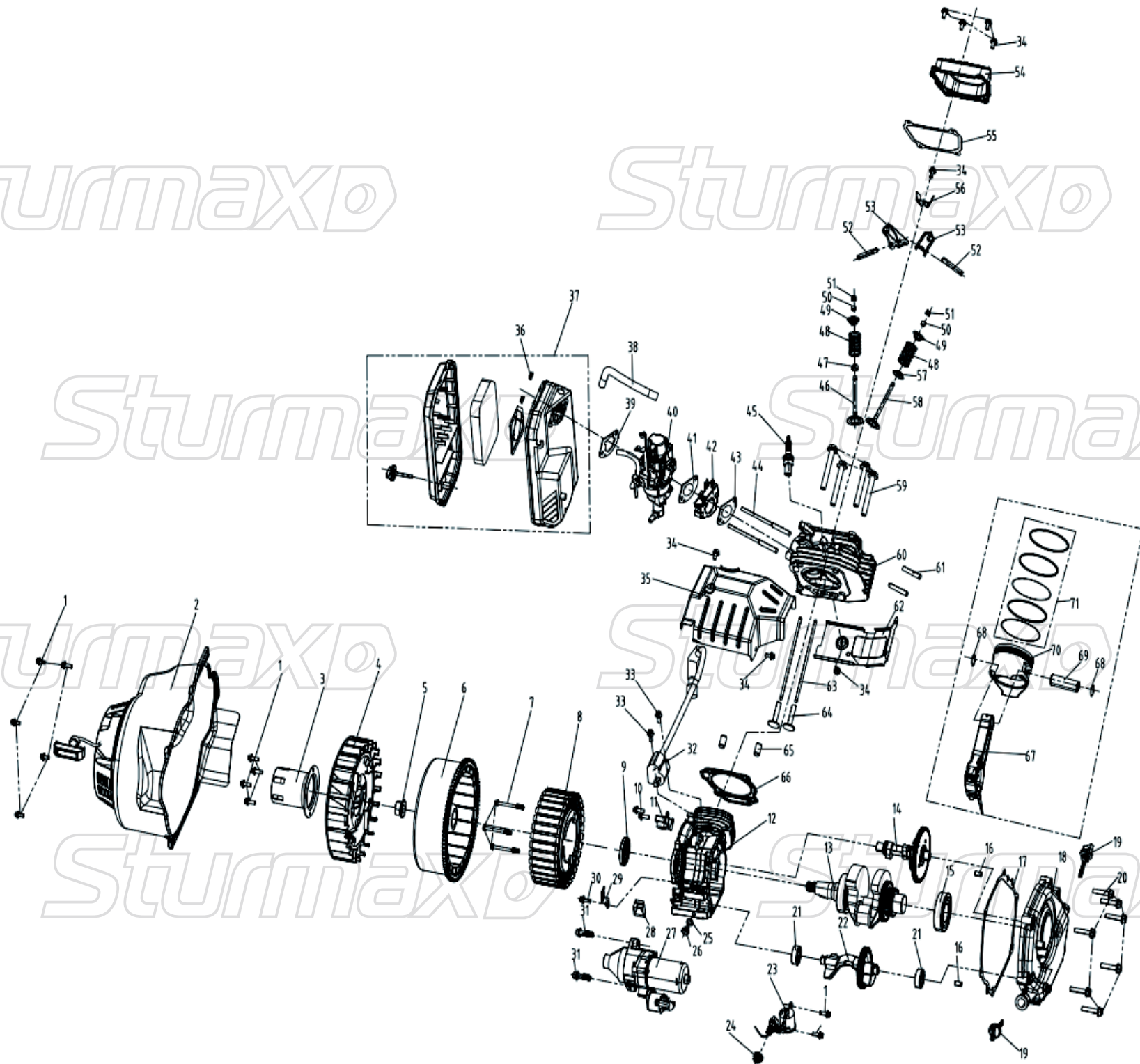
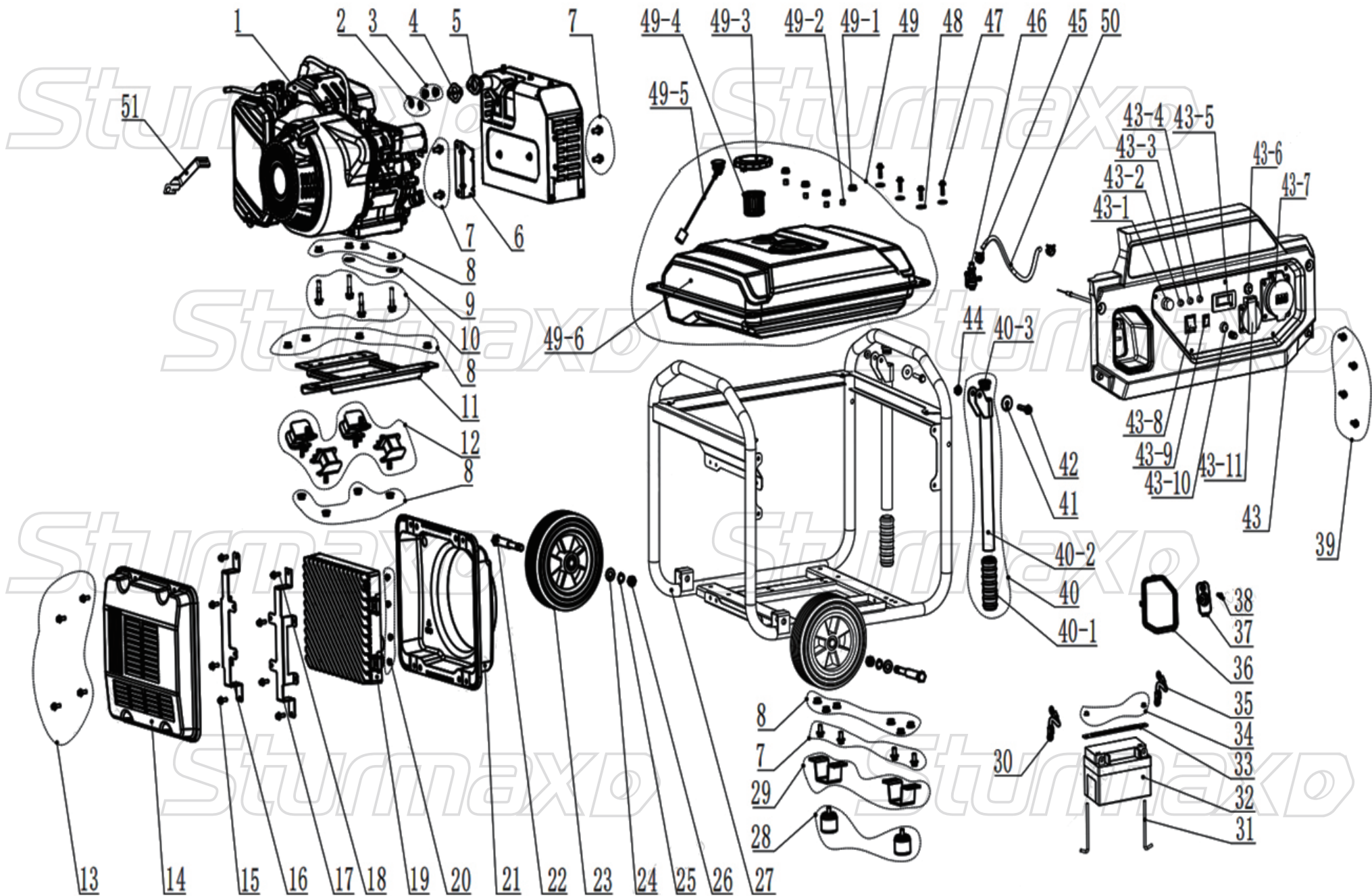


SturmaxD

SturmaxD





ENGINE FOR PGM8780IE

NO.	DESCRIPTION	NO.	DESCRIPTION
1	BOLT	37	AIR CLEANER
2	FAN COVER& RECOIL STARTER ASSEMBL	38	BREATHER HOSE XC
3	RECOIL STARTER PULLEY	39	AIR FILTER GASKET
4	MOTOR COOLING FAN	40	CARBURETOR
5	LOCK NUT	41	HEAT INSULATOR GASKET
6	ROTOR ASSEMBLY	42	CARBURETOR HEAT INSULATOR
7	BOLT	43	INTAKE PORT GASKET
8	STATOR ASSEMBLY	44	STUD BOLT JB
9	OIL SEAL COG	45	SPARK PLUG LG
10	BOLT	46	INTAKE VALVE
11	TRIGGER	47	VALVE STEM SEAL COG
12	CRANKCASE	48	VALVE SPRING
13	CRANKSHAFT	49	VALVE SPRING RETAINER
14	CAMSHAFT	50	VALVE LOCK SGT
15	BEARING BD	51	VALVE TAPPET CAP SGT
16	DOWEL PIN	52	ROCKER ARM PIN
17	CRANKCASE GASKET	53	ROCKER ARM ASSEMBLY
18	CRANKCASE COVER	54	CYLINDER HEAD COVER ASSEMBLY
19	OIL GAUGE XC	55	CYLINDER HEAD COVER GASKET
20	BOLT	56	ROCKER ARM SHAFT STOPPER
21	BEARING	57	VALVE SPRING LOWER SEAT SGT
22	BALANCE SHAFT KC	58	EXHAUST VALVE
23	OIL ALARM KL	59	BOLT
24	LOCK NUT	60	CYLINDER HEAD
25	OIL DRAIN BOLT GASKET JB	61	STUD BOLT JB
26	OIL DRAIN BOLT JB	62	LOWER AIR GUIDE PLATE
27	STARTER MOTOR ASSEMBLY	63	PUSH ROD
28	GROMMET	64	TAPPET SGT
29	WIRE CLAMP PLATE	65	DOWEL PIN
30	BOLT	66	CYLINDER HEAD GASKET
31	BOLT	67	CONNECTING ROD LY
32	IGNITION MODULE ASSEMBLY	68	PISTON PIN CLIP ZT
33	BOLT	69	PISTON PIN ZT
34	BOLT	70	PISTON ZT
35	CYLINDER HEAD AIR GUIDE COVER	71	PISTON RING DY
36	LOCK NUT		

PGM8780IE-EX-UK251218PG

PGM8780IE

NO.	DESCRIPTION	NO.	DESCRIPTION
1	ENGINE	37	RECOIL STARTER ROPE GUARD
2	SPRING WASHER - MEDIUM DH	38	SCREW
3	LOCK NUT	39	BOLT
4	MUFFLER GASKET	40	HANDLE ASSEMBLY
5	MUFFLER ASSEMBLY	40-1	HANDLE GRIP
6	MUFFLER BRACKET	40-2	HANDLE
7	BOLT	40-3	TUBE PLUG
8	LOCK NUT	41	NYLON WASHER
9	FLAT WASHER	42	BOLT
10	BOLT	43	PANEL
11	BRACKET BASE PLATE	43-1	CHOKE CABLE
12	DAMPING FOOT	43-2	OIL INDICATOR LIGHT
13	BOLT	43-3	OUTPUT INDICATOR LIGHT
14	MODULE FRONT COVER	43-4	FAULT INDICATOR LIGHT
15	BOLT	43-5	DIGITAL METER
16	MODULE LEFT BRACKET	43-6	PROTECTOR
17	MODULE RIGHT BRACKET	43-7	SOCKET
18	BOLT	43-8	SWITCH
19	INVERTER MODULE ASSEMBLY YP	43-9	SWITCH
20	LOCK NUT	43-10	RESET SWITCH
21	MODULE REAR COVER	43-11	SOCKET
22	AXLE AL	44	LOCK NUT
23	PU FOAM WHEEL	45	HOSE CLAMP FD
24	FLAT WASHER DH	46	FUEL TANK VALVE GC
25	SPRING WASHER - MEDIUM DH	47	BOLT
26	NUT	48	FLAT WASHER
27	FRAME	49	FUEL TANK ASSEMBLY
28	FRAME FOOT HD	49-1	FUEL TANK GASKET
29	SUPPORT FOOT	49-2	FUEL TANK PIN HD
30	STARTER MOTOR WIRE	49-3	FUEL TANK CAP DH
31	BATTERY HOOK	49-4	FUEL FILTER HD
32	BATTERY	49-5	OIL LEVEL INDICATOR
33	BATTERY HOLD	49-6	FUEL TANK
34	LOCK NUT	50	FUEL HOSE
35	STARTER MOTOR WIRE	51	AIR FILTER BRACKET
36	TDECORATIVE STRIP		

PGM8780IE-EX-UK251218PG