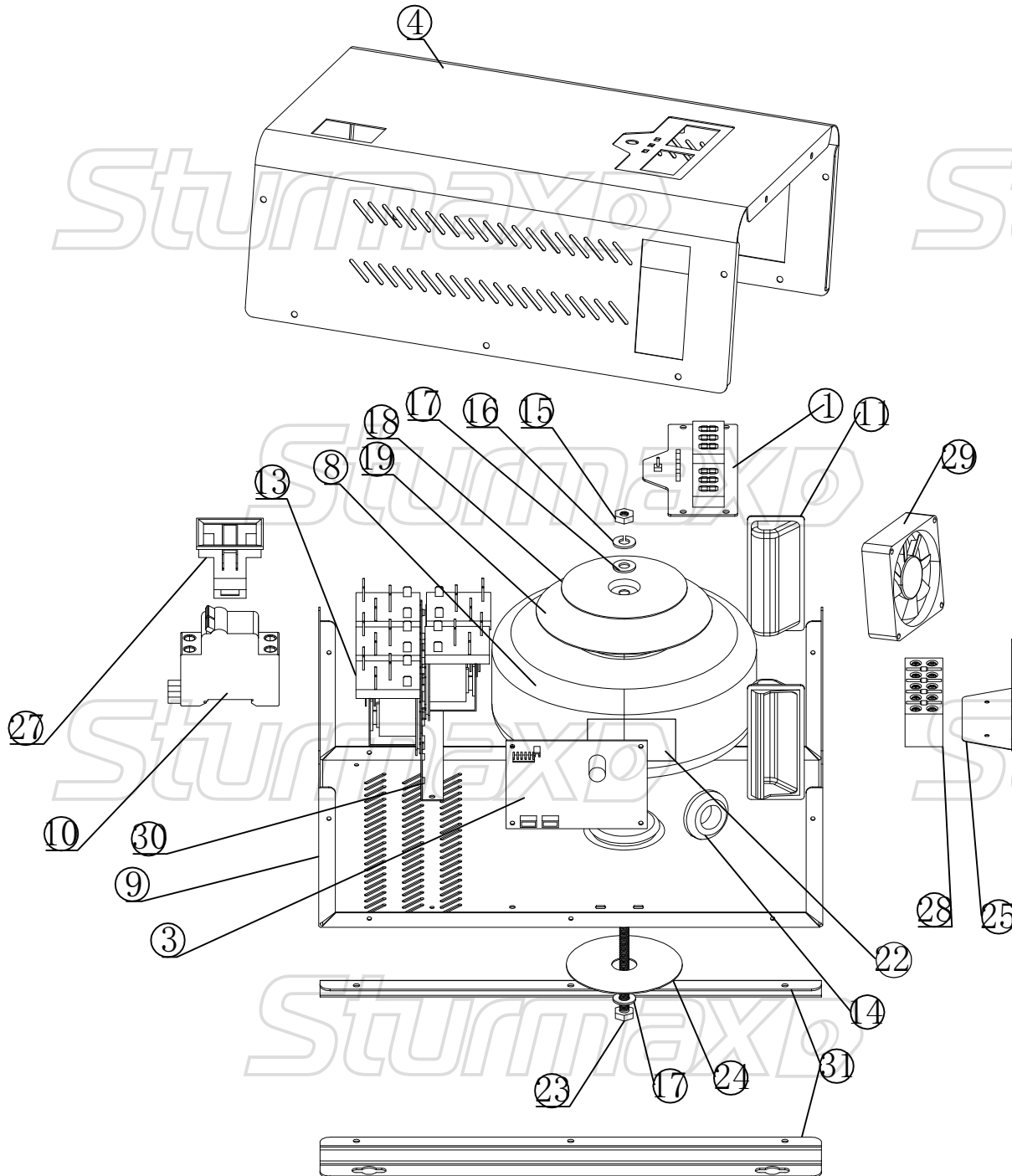


PSM9312000RV



NO.	DESCRIPTION
1	LED DISPLAY PANEL
3	PCB
4	FRONT AND SIDES METAL CASE
8	TOROIDAL TRANSFORMER
9	BASE COVER
10	AIRBREAK SWITCH
11	HANDLE
13	RELAY
14	CURRENT TRANSFORMER
15	HEXAGON NUT
16	SPRING PAD
17	FLAT PAD
18	IRON COVER OF TRANSFORMER
19	SMALL RUBBER PAD
22	TEMPERATURE CONTROLLER
23	SCREW ROD
24	BIG RUBBER PAD
25	BRACKET AND COVER OF TERMINAL BLOCK
27	SNAP-FIT
28	TERMINAL BLOCK
29	FAN
30	BRACKET OF RELAY
31	BRACKET OF HANGING WALL