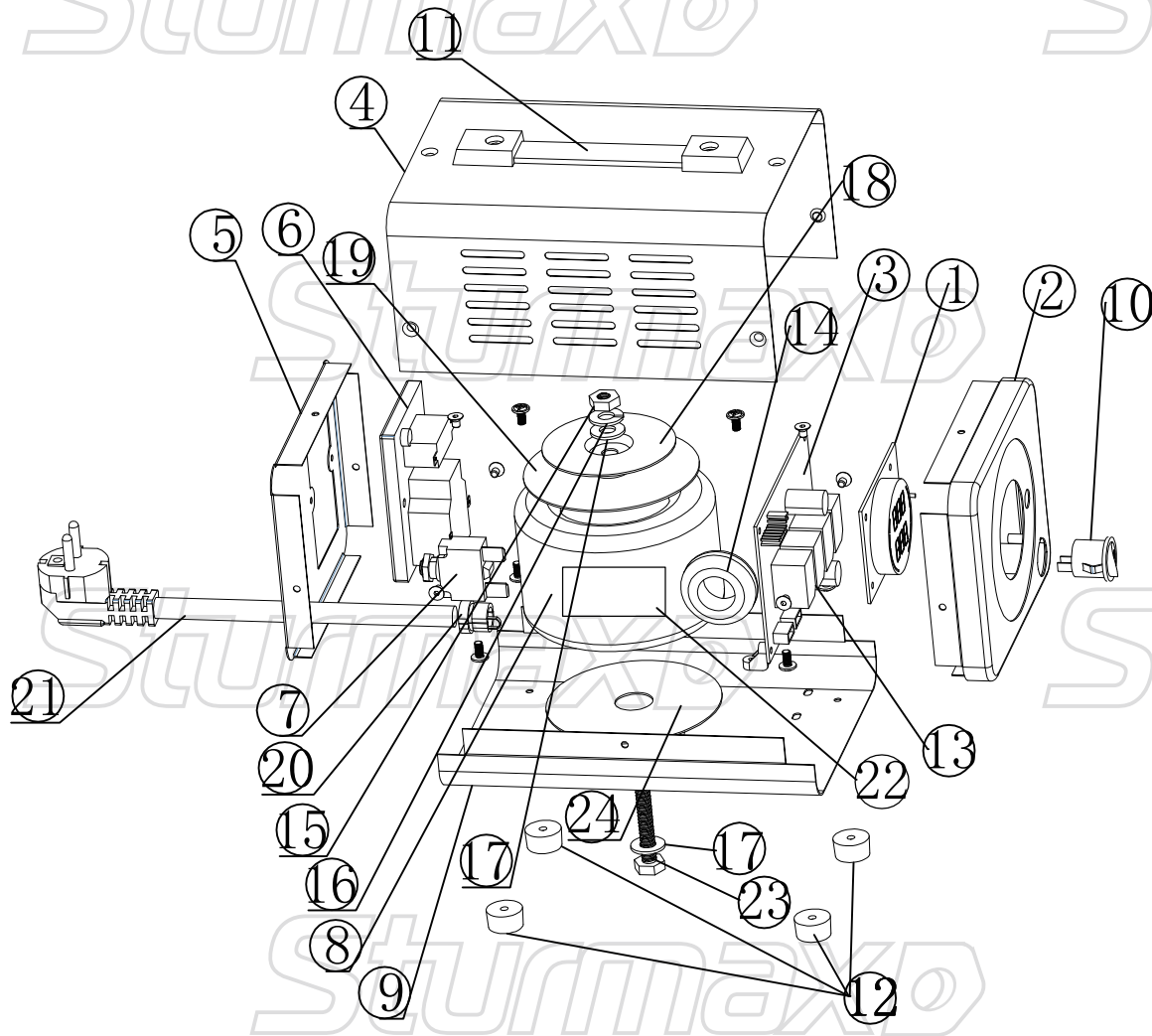


## PSM93500R/PSM931000R



| NO. | DESCRIPTION               |
|-----|---------------------------|
| 1   | LED DISPLAY PANEL         |
| 2   | FRONT METAL PANEL         |
| 3   | PCB                       |
| 4   | METAL COVER               |
| 5   | BACK METAL PANEL          |
| 6   | EU STANDARD SOCKET        |
| 7   | OVECURRENT PROTECTOR      |
| 8   | TOROIDAL TRANSFORMER      |
| 9   | BASE COVER                |
| 10  | SWITCH                    |
| 11  | HANDLE                    |
| 12  | FEET                      |
| 13  | RELAY                     |
| 14  | CURRENT TRANSFORMER       |
| 15  | HEXAGON NUT               |
| 16  | SPRING PAD                |
| 17  | FLAT PAD                  |
| 18  | IRON COVER OF TRANSFORMER |
| 19  | SMALL RUBBER PAD          |
| 20  | CLAMP                     |
| 21  | POWER CABLE AND PLUG      |
| 22  | TEMPERATURE CONTROLLER    |
| 23  | SCREW ROD                 |
| 24  | BIG RUBBER PAD            |