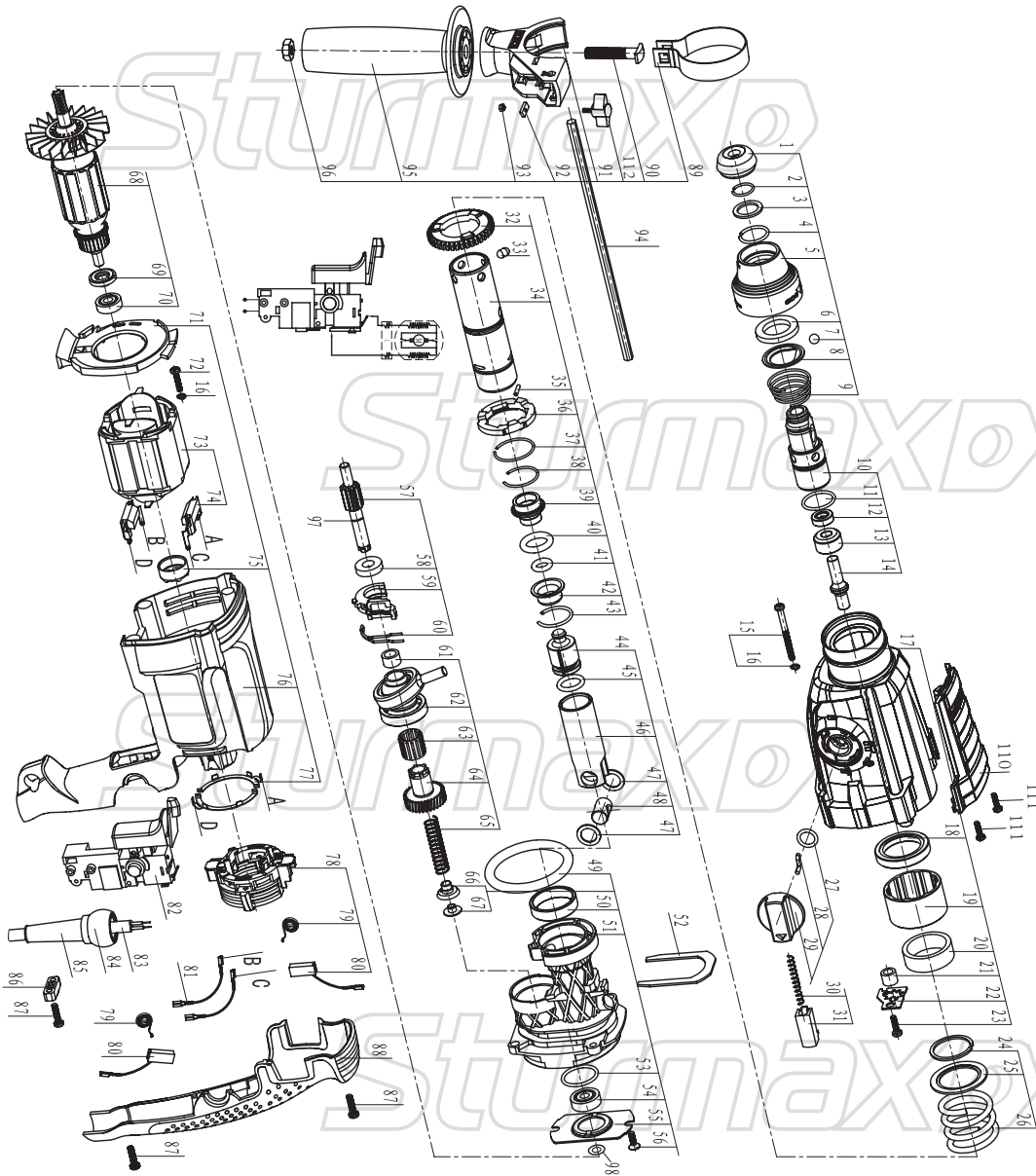


# RHM25280



NO.	DESCRIPTION	NO.	DESCRIPTION
1	DUST CAP	52	PRESS FORK
2	SNAP RING	53	O-RING
3	WASHER	54	BEARING 609Z
4	SNAP RING	55	BEARING PRESS PLATE
5	LOCKING SLEEVE	56	SCREW
6	THICK WASHER	57	GEAR SHAFT
7	STEEL BALL	58	BEARING 699Z
8	WASHER	59	MODEL SELECTOR FORK
9	SPRING	60	FORK SPRING
10	DRILL BIT COVER	61	NEEDLE ROLLER BEARING HK0910
11	O-RING	62	ROCKER BEARING
12	OIL SEAL	63	NEEDLE ROLLER BEARING K15
13	THRUST RING	64	GEAR
14	STRIKER SHAFT	65	SPRING
15	SCREW	66	SPRING HOLDER
16	SPRING WASHER	67	POSITION WASHER
17	FRONT HOUSING	68	ROTOR
18	OIL SEA	69	INSULATION WASHER
19	BUSHING	70	BEARING 607Z
20	NEEDLE ROLLER BEARING HK3012	71	WIND GUIDE
21	NEEDLE ROLLER BEARING HK0709	72	SCREW
22	NINE TEETH WASHER	73	STATOR
23	SCREW	74	INDUCTOR
24	FLAT SNAP RING	75	BEARING BUSH
25	WASHER	76	HOUSING
26	SPRING	77	SWITCH CONTACT
27	O-RING	78	CARBON BRUSH HOLDER
28	MODEL SELECTOR POLE	79	SPRING
29	MODEL SELECTOR	80	CARBON BRUSH
30	SPRING	81	INTERNAL CORD
31	LOCKING BUTTON	82	SWITCH
32	BIG GEARING	83	CORD & PLUG
33	POSITION PIN	84	CORD SLEEVE COVER
34	CONNECT PIPE	85	CORD SLEEVE
35	PIN	86	CORD CLAMP
36	CLUTCH DISK	87	SCREW
37	SNAP RING	88	BACK COVER
38	SNAP RING	89	CLAMPING BAND
39	GUIDE BUSH	90	T SCREW
40	O-RING	91	SUPPORT CLAMP
41	O-RING	92	SUPPORT BLOC
42	HOLDING JACKET	93	NUT
43	SNAP RING	94	DEPTH GAUGE
44	PISTON	95	AUXILIARY HANDLE
45	PISTON O-RING	96	NUT
46	CYLINDER	97	SNAP RING
47	CYLINDER PIN WASHER	98	WASHER
48	CYLINDER PIN	110	GEAX BOX COVER
49	O-RING	111	ST4.2X11SELF-TAPPING BOLT
50	HOLDER BUSHING	112	WINGED SCREW
51	HOLDER		