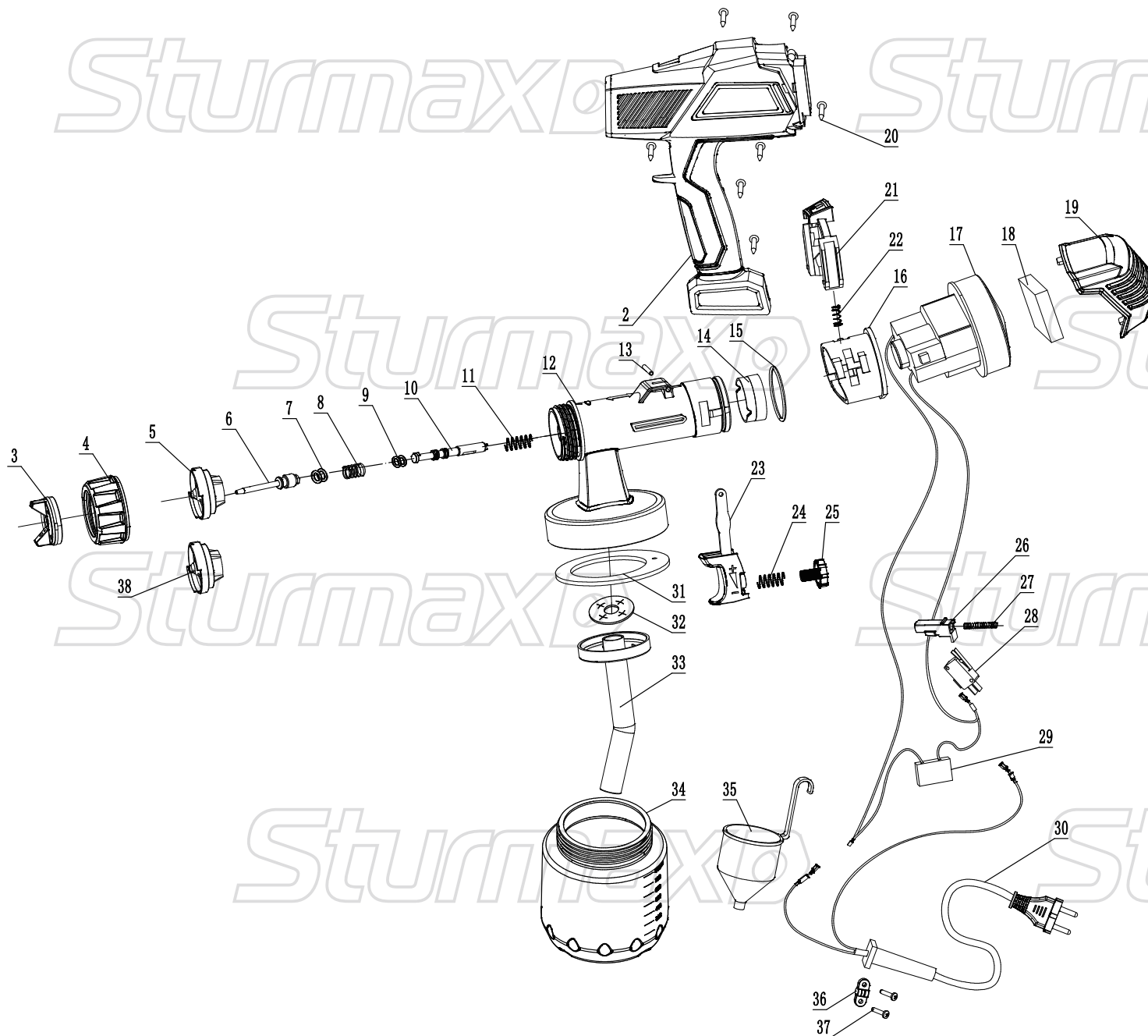


# SGM96550



NO.	DESCRIPTION
2	HOUSING
3	CHANGE NOZZLE
4	CAP NUT
5	NOZZLE Ø2.6
6	STAINLESS STEEL VALVE NEEDLE
7	O-RING
8	SPRING
9	O-RING
10	PLASTIC VALVE NEEDLE
11	SPRING
12	GUN SEAT
13	PIN Ø3*25
14	PLASTIC RING
15	O-RING
16	GUN SEAT JOINT
17	MOTOR
18	FILTER NET
19	REAR COVER
20	SCREW ST3.5X15
21	GUN SEAT REMOVAL BUTTON
22	SPRING
23	TRIGGER
24	SPRING
25	ADJUST KNOBS
26	SWITCH MANDRIL
27	SPRING
28	SWITCH
29	CAPACITANCE
30	CABLE
31	TANK AIRPROOF RING
32	SEAL GASKET
33	SUCKER
34	TANK
35	VISCOSITY MEASURING CUP
36	CORD ANCHORAGE
37	SCREW ST3X14
38	NOZZLE Ø1.8