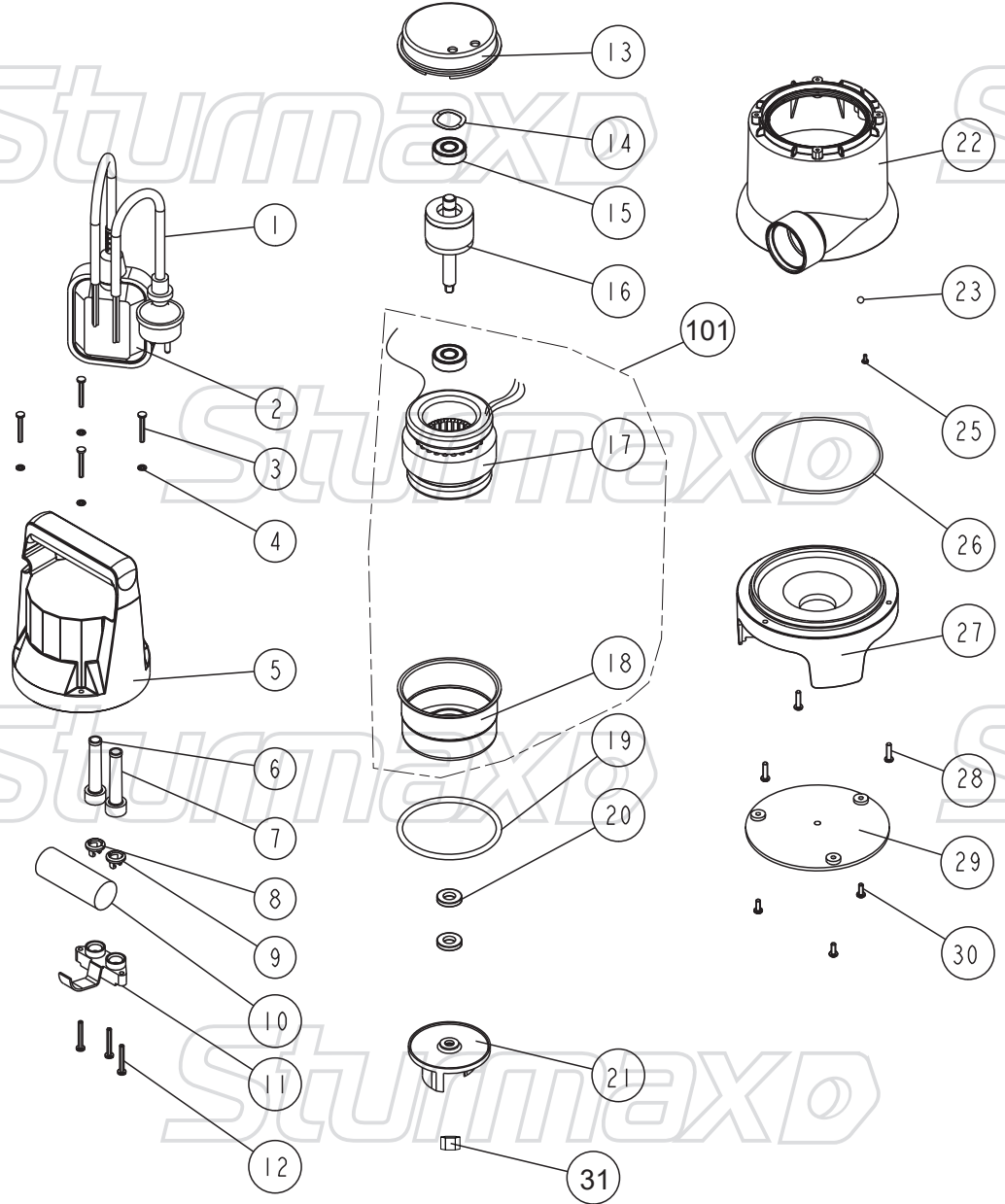


**WPM97265**



NO.	DESCRIPTION
1	CORD AND PLUG
2	FLOAT SWITCH
3	STAINLESS STEEL SCREW
4	FLAT WASHER
5	REAR SHELL
6	CORD SLEEVE
7	CORD SLEEVE
8	CORD CLIP
9	CORD CLIP
10	CAPACITOR
11	CABLE FASTENER
12	SCREW
13	REAR COVER OF MOTOR
14	WAVEFORM WASHER
15	BEARING 6201
16	ROTROR
17	STATOR
18	FRONT COVER OF MOTOR
19	O RING
20	SEALED LATEX
21	IMPELLER
22	MAIN BODY
23	STAINLESS STEEL BALL
25	SCREW
26	O RING
27	BASE
28	STAINLESS STEEL SCREW
29	SOLE PLATE
30	SCREW
31	NUT
101	STATOR ASSEMBLY(17+18)