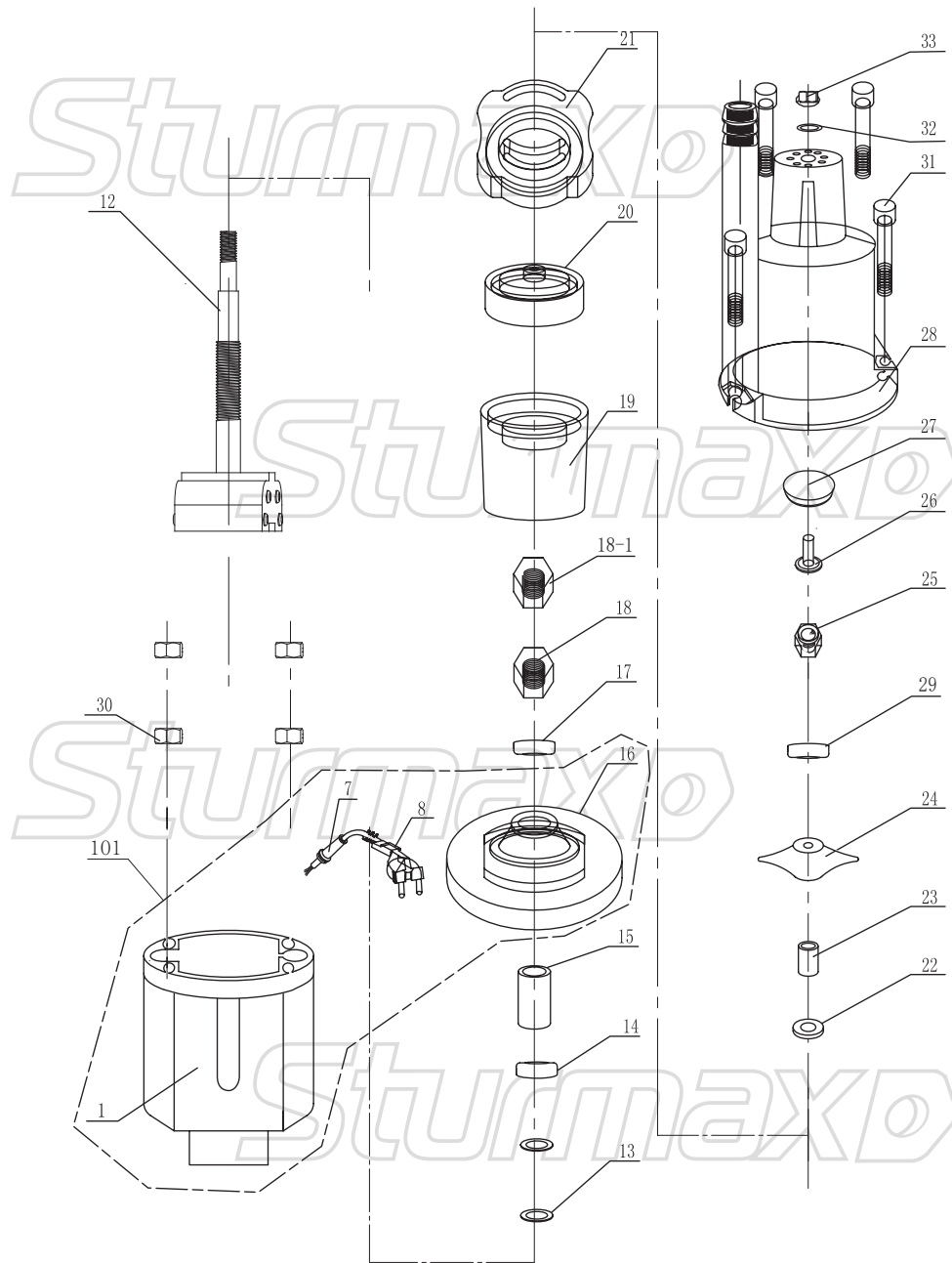


# SturmaxD

## WPM9741T



NO.	DESCRIPTION
1	MOTOR AND HOUSING
7	CABLE SLEEVE
8	CABLE AND PLUG
12	ROTOR
13	PLAIN WASHER
14	ROUND WASHER
15	SHAFT SLEEVE
16	RUBBER PLATE
17	ROUND WASHER
18	NUT
18-1	LOCK NUT
19	LOCALIZATION HOUSING
20	WATER-PROOF COVER
21	FIXED COVER
22	IMPELLER WASHER
23	SLEEVE FOR IMPELLER
24	IMPELLER
25	LOCKNUT
26	CHECK VALVE SCREW
27	RUBBER CHECK VALVE
28	TOP COVER
29	ROUND WASHER
30	LOCK NUT
31	BOLT
32	WASHER
33	LOCKING NUT
101	STATOR ASSEMBLY(1+7+8+16)

WPM9741T-EX-UK240226-1

# SturmaxD