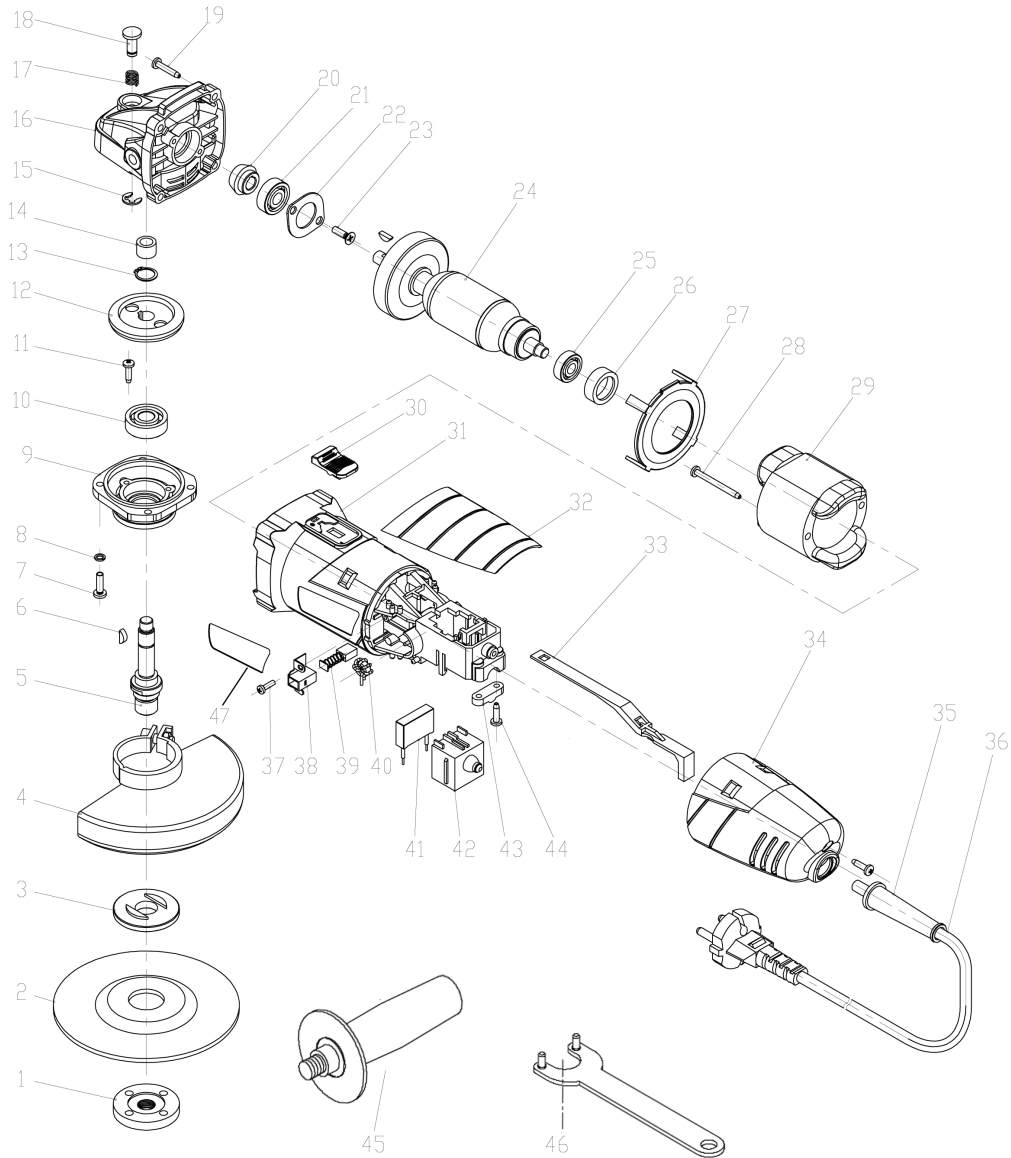


УШС-90122



NO.	DESCRIPTION	NO.	DESCRIPTION
1	wheel nut	25	bearing
		26	apron
3	wheel locating washer	27	wind guard
4	wheel cover	28	screw
5	output spindle	29	stator
6	woodruff key	30	Switch button
7	screw	31	housing
8	spring washer	32	buckles leather
9	fore cover	33	Switch pole
10	bearing	34	Back cap
11	screw	35	Cable jacket
12	follower gear	36	Cable
13	Seal ring	37	screw
14	Ogallay bearing	38	Brush holder
15	Circlip	39	Carbon brush
16	Gear box	40	Inductance
17	break spring	41	capacitance
18	Break pole	42	Switch
19	screw	43	cable clip
20	Pinion gear	44	screw
21	bearing	45	side handle
22	Bearing cover	46	spanner
23	screw	47	Name plate
24	armature		