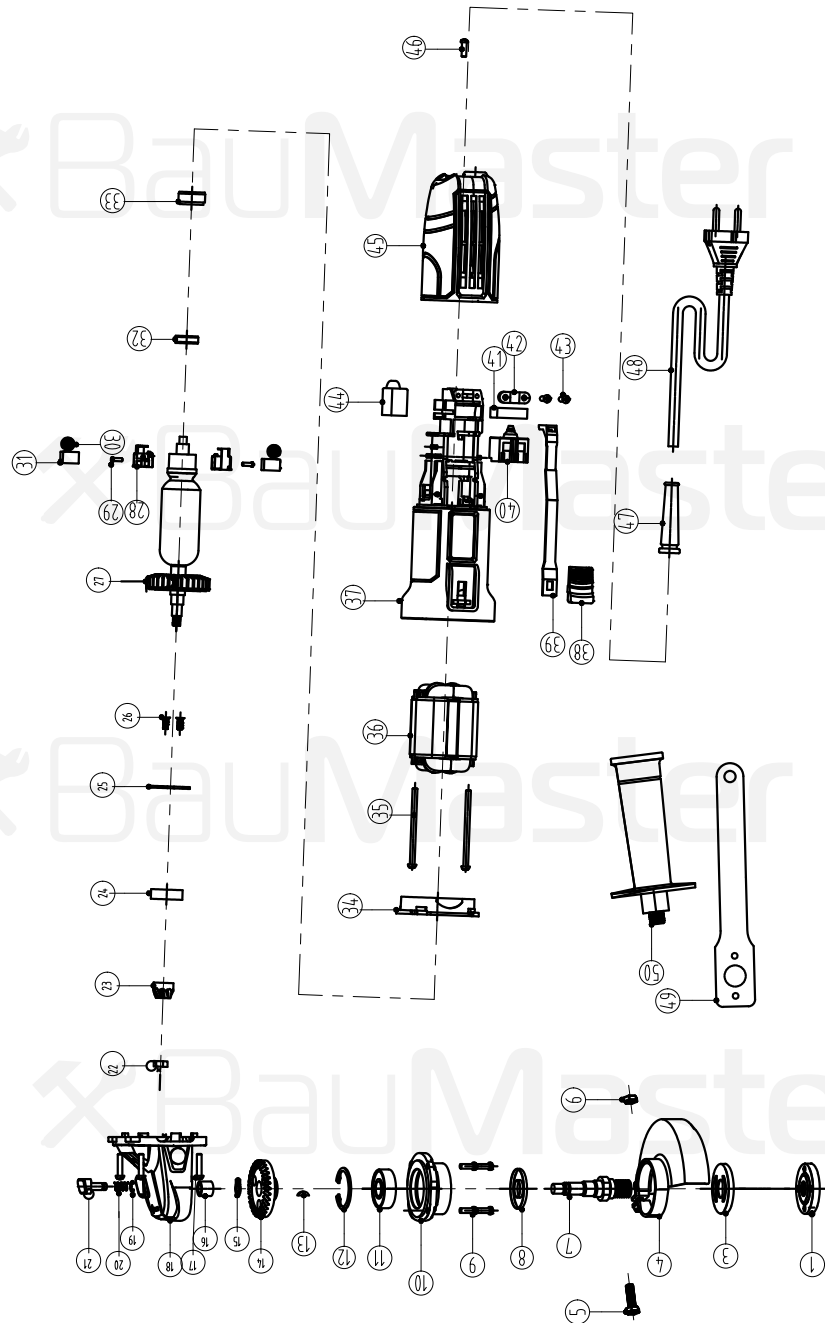


AG-9012BE



NO.	DESCRIPTION	NO.	DESCRIPTION
1	UP PLATE	27	ROTOR
3	DOWN PLATE	28	CARBON BRUSH
4	WHEEL GUARD	29	SCREW ST3X8
5	SCREW M5X20	30	CARBON BRUSH SPRING
6	M5 NUT	31	CARBON BRUSH 6X9X15
7	OUTPUT SHAFT	32	BEARING 626
8	DUST COVER	33	BEARING COVER
9	SCREW M4X12	34	FAN RING
10	FRONT COVER	35	SCREW ST4X60
11	BEARING 6201	36	STATOR
12	RING $\Phi 32$	37	ENCLOSURE
13	WOODRUFF KEY 3X10	38	SWITCH BUTTON
14	GEAR	39	SWITCH BAR
15	RING $\Phi 10$	40	SWITCH
16	NEEDLE BEARING HK0810	41	CAPACITANCE 0.22UF
17	SCREW ST4X20	42	PROTECT SLEEVE
18	HEAD SHELL	43	SCREW ST4X12
19	SPRING $\Phi 4$	44	SPEED CONTROLLER
20	SPRING	45	BACK COVER
21	SELF-LOCK	46	SCREW ST4X14
22	NUT M6	47	PROTECT SLEEVE
23	SMALL GEAR	48	CABLE
24	BEARING 6000	49	WRENCH
25	BEARING COVER	50	SIDE HANDLE
26	SCREW M4X8		

UK-BM20190628