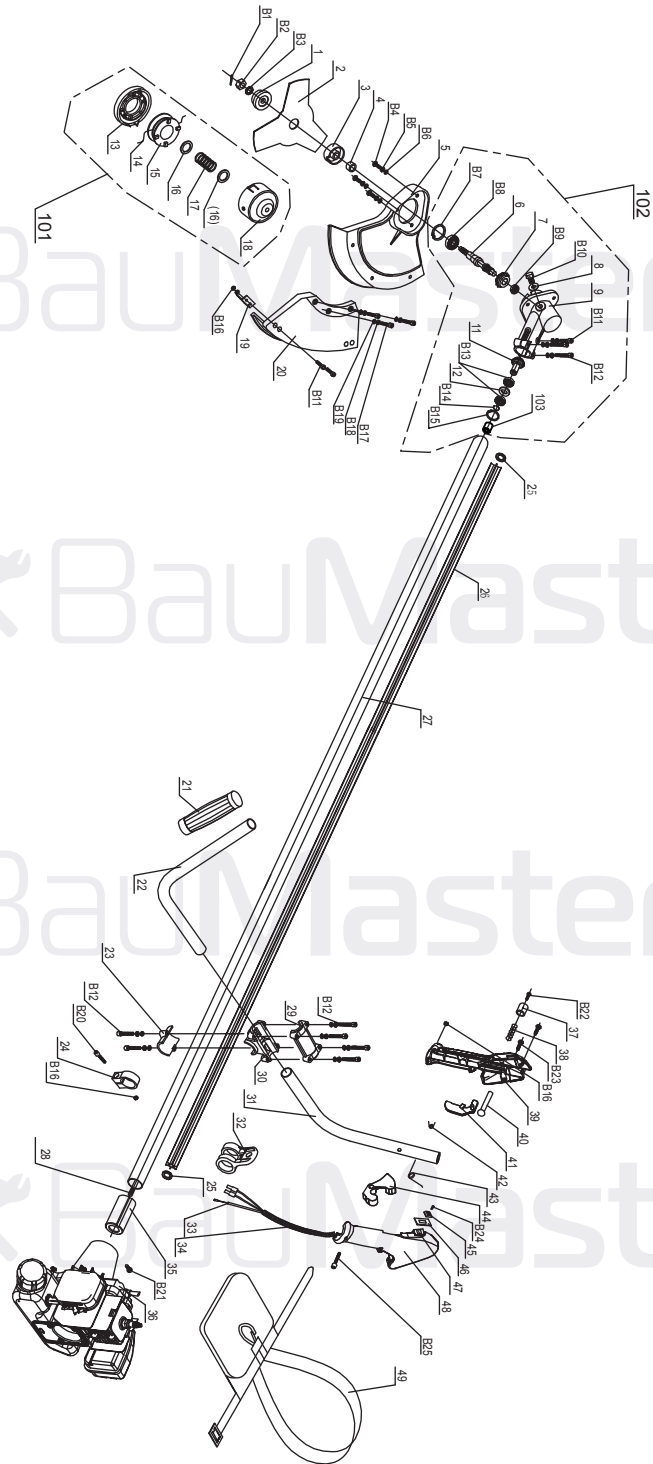


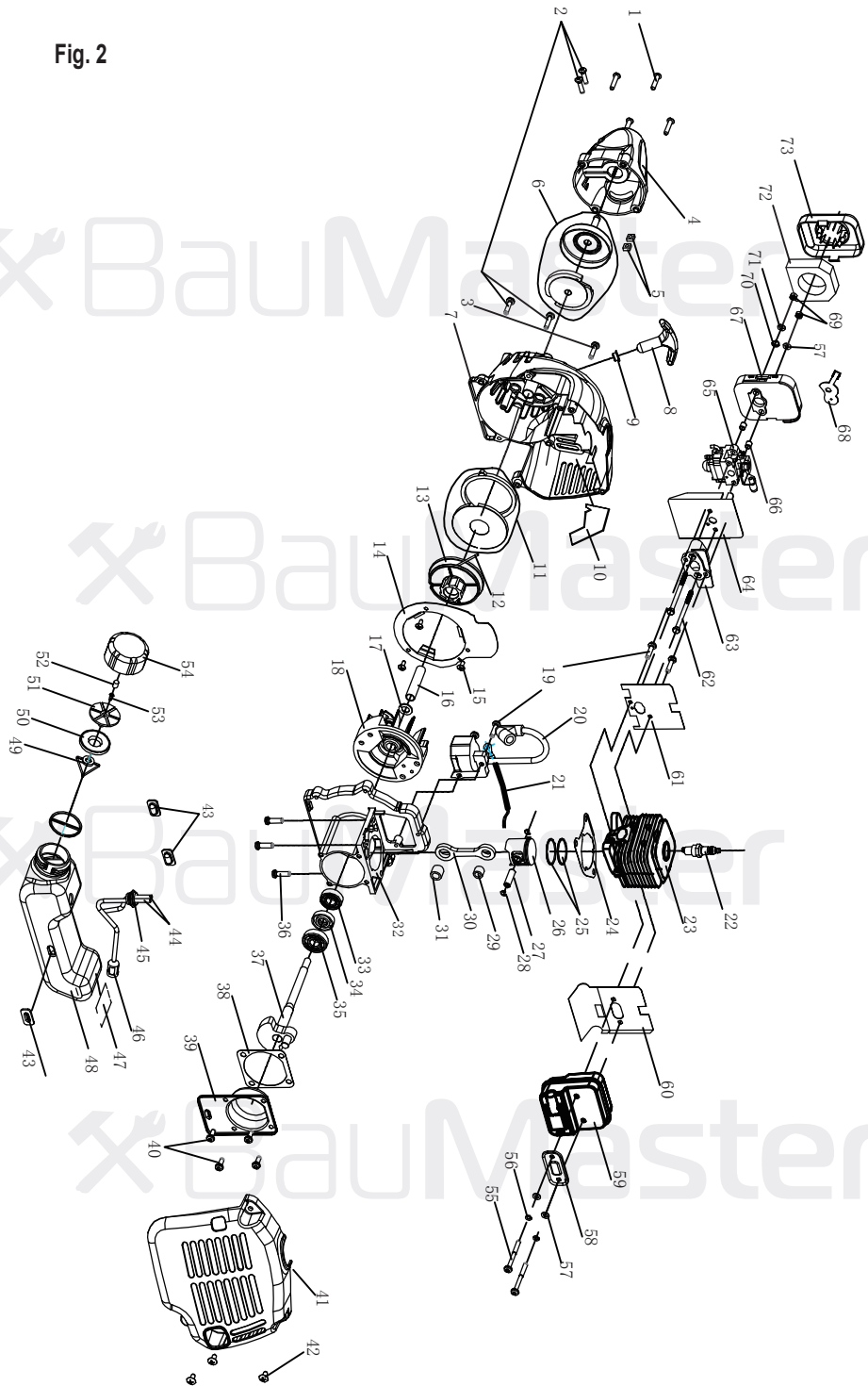
Fig. 1



### BT-8932X

NO.	DESCRIPTION	NO.	DESCRIPTION
1	LOWER PLATE	40	PIN
2	BLADE	41	INSURANCE OF THE TRIGGER
3	UPPER PLATE	42	TORSION-BAR SPRING A
4	BUSH	43	TORSION-BAR SPRING B
5	GUARD SHIELD OF BLADE	44	THROTTLE LINE
6	DRIVEN SHAFT	45	SWITCH
7	DRIVEN GEAR	46	ALUMINUM SCUTCHEON
8	AIRPROOF GASKET	47	SWITCH ASSEMBLY
9	GEAR CASE	48	HANDLE B
11	INITIATIVE GEAR SHAFT	49	SHOULDER STRAP
12	BEARING WASHER	B1	PIN 2x16
13	ROPE WHEEL COVERING	B2	SCREW M10x1.25
14	NYLON ROPE Ø2.5x2100	B3	WASHER 10
15	ROPE SEAT	B4	SCREW
16	GASKET	B5	SPRING WASHER 5
17	PULL-OUT PIECE SPRING A	B6	GASKET 5
18	BOX OF ROPE	B7	BAFFLE RING 32
19	KNIFE	B8	BEARING 6201
20	PLASTIC GUARD SHIELD	B9	BEARING 629
21	PASTERN SHEATH	B10	BOLT M8x10
22	STEEL TUBE A	B11	SCREW M5x12
23	LOWER PLATE	B12	SCREW M5x25
24	ORIENTATING RING	B13	BEARING 6900-Z
25	BAFFLE RING	B14	BAFFLE RING 10
26	PLASTIC TUBE A	B15	BAFFLE RING 22
27	ALUMINUM TUBE A	B16	NUT M5
28	FLEXIBLE SHAFT A	B17	SCREW M6x20
29	UPPER PLATE	B18	SPRING WASHER 6
30	ORIENTATING BLOCK	B19	WASHER 6
31	STEEL TUBE B	B20	SCREW M5x16
32	RING	B21	SCREW ST4.8x10
33	THROTTLE LINE	B22	SCREW ST2.9x15
34	PLASTIC TUBE	B23	SCREW ST2.9x20
35	SHOCK ATTENUATION TUBE	B24	SCREW ST2.9x9
36	ENGINE	B25	SCREW M5x30
37	BUTTON	101	NYLON LINE SPOOL (13+14...+18)
38	PULL-OUT PIECE SPRING B	102	GEAR BOX ASSEMBLE (6+7...+12+B7+B8...+B15)
39	HANDLE A	103	LIMIT BUSH

Fig.2



## ENGINE FOR BT-8932X

NO.	DESCRIPTION	NO.	DESCRIPTION
1	SCREW ST4.8×25	38	WASHER
2	SCREW M5×20	39	COVER OF CRANKCASE
3	SCREW M5X20	40	SCREW M5×15
4	CLUTCH COVER	41	REAR COVER
5	NUT M5	42	SCREW ST4.8×16
6	CLUTCH ASSEMBLY	43	OIL BOX MAT
7	ENGINE COVER	44	FUEL TUBE
8	START HANDLE	45	FUEL TUBE SEAT
9	NESTING	46	CLEANER
10	PROTECTIVE FILM	47	PROTECTIVE FILM
11	START -UP SPRING	48	FUEL TANK
12	START ROPE	49	OIL-BOX-COVER FLYING RINGS
13	START WHEEL	50	OIL BOX SHEET GASKET
14	START WHEEL PLATE	51	OIL DRAIN VALVE SEAT
15	SCREW ST4×12	52	OIL DRAIN VALVE
16	TUBE	53	OIL DRAIN FILTER
17	WASHER 10	54	OIL BOX COVER
18	FLYWHEEL ASSY.	55	SCREW M5×53
19	SCREW M5×23L	56	SPRING WASHER 5
20	IGNITION WINDING	57	WASHER 5
21	EXTINCTION WIRE	58	VENT-PIPE FOLLOWER
22	SPARK PLUG	59	MUFFLER ASSEMBLY
23	CYLINDER	60	WASHER
24	CYLINDER WASHER	61	WASHER
25	PISTON RING	62	SCREW M5×68
26	PISTON	63	CARBURETOR BASE
27	PISTON PIN	64	WASHER
28	BAFFLE RING	65	CARBURETOR
29	NEEDLE BEARING 8×12×10	66	AIR FILTER BUSH
30	CONNECTOR ROD	67	AIR FILTER
31	NEEDLE BEARING 9.5×14.3×12.7	68	CHOKER
32	CRANKCASE	69	NUT M5
33	BALL BEARING 6001LLU	70	SPRING
34	OIL SEAL TC28X12X7	71	WASHER Ø5×Ø13.5
35	BALL BEARING 6201	72	FILTER COVER FOAM
36	SCREW M6×20	73	AIR FILTER TOP COVER
37	CRANK SHAFT ASSEMBLY		