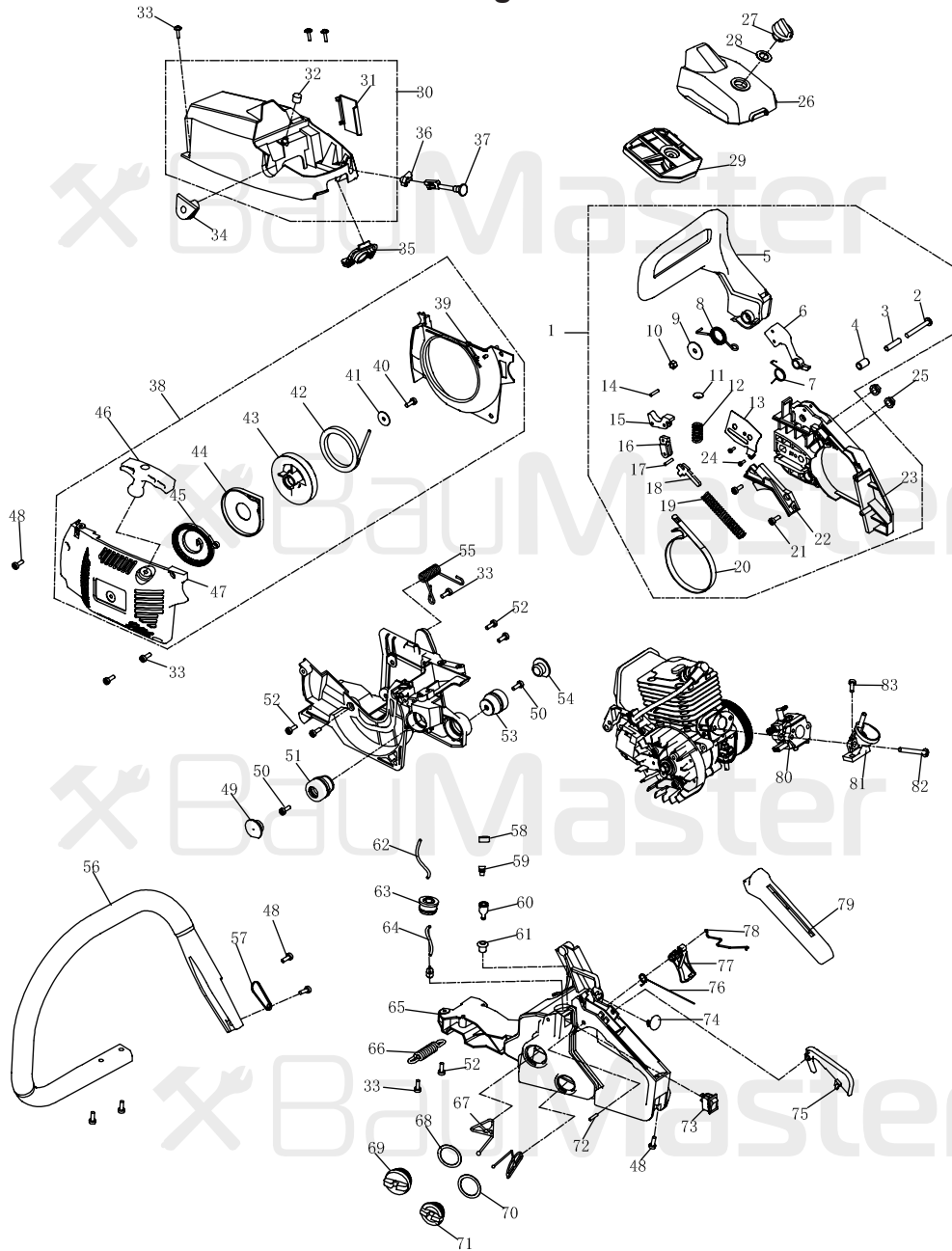


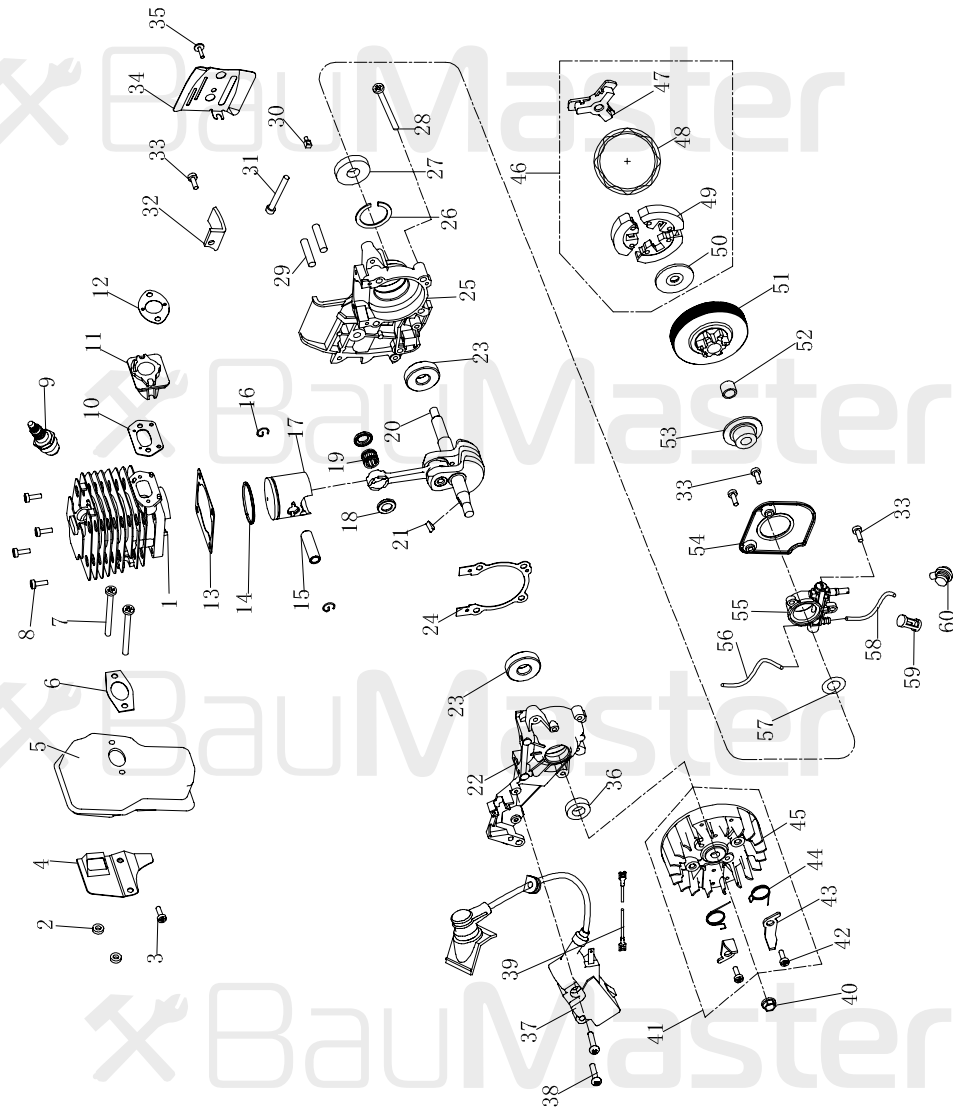
Fig. 1



GC-99376X

NO.	DESCRIPTION	NO.	DESCRIPTION
1	RIGHT COVER ASSEMBLY	43	START PLATE
2	SCREW	44	COIL-SPRING COVER
3	PIN GLAND	45	START COIL-SPRING
4	HEAVY BROCK GLAND	46	START HANDLE
5	FRONT DAMPER	47	START COVER
6	HEAVY BLOCK	48	TAPPING SCREW
7	HEAVY BLOCK SPRING	49	DUST COVER 1
8	BRAKE TORSION ROD SPRING	50	TAPPING SCREW
9	WASHER	51	CUSHION SOCKET 1
10	LOCK- NUT M5	52	SCREW
11	SPRING BASE	53	CUSHION SOCKET 2
12	FRONT GUARD SPRING	54	DUST COVER 2
13	TENSIONER COVER PLATE	55	FRONT HANDLE SPRING
14	PIN	56	FRONT HANDLE
15	MAIN LEVEL	57	TORSION ROD SPRING COVER PLATE
16	SECONDARY PULL-ROD	58	BALANCER COVER
17	PIN	59	BALANCER RUBBER
18	BREAK CONTROL ROD	60	BALANCER BODY
19	BRAKE SPRING	61	BALANCER ROOT
20	BREAK STRAP	62	FUEL TUBE
21	TAPPING SCREW	63	TUBE ROOT
22	BREAK SPRING COVER PLATE	64	PETROL FILTER COMPONENTS
23	RIGHT COVER	65	BASE
24	TAPPING SCREW	66	BASE SPRING
25	NUT M8	67	ANTI-DROP PLATE
26	AIR FILTER COVER	68	PACKING WASHER
27	AIR FILTER LOCK NUT	69	PETROL COVER
28	LOCK NUT WASHER	70	PACKING WASHER
29	AIR FILTER	71	OIL COVER
30	UPPER COVER PLATE	72	PIN
31	ANTI-FREEZE BLOCK	73	EXTINCTION SWITCH
32	SHOCK BLOCK	74	FRONT CAP
33	TAPPING SCREW	75	TRIGGER CONTROL RACK
34	IDLE ADJUSTING GUIDE SET	76	TRIGGER TORSION ROD SPRING
35	DUST SHIELD	77	TRIGGER
36	THROTTLE LEVER RETAINING BRACKET	78	THROTTLE ROD
37	THROTTLE ROD	79	HANDLE COVER
38	START ASSEMBLY	80	CARBURETOR
39	BOSSING	81	AIR INTAKE SOCKET
40	TAPPING SCREW	82	CARBURETOR SCREW
41	WASHER	83	AIR INTAKE SOCKET SCREW
42	START STRETCHING ROPE		

Fig. 2



ENGINE FOR GC-99376X

NO.	DESCRIPTION	NO.	DESCRIPTION
1	CYLINDER BODY	31	ADJUST SCREW
2	NUT	32	CHAIN CATCHER
3	SCREW	33	CHAIN CATCHER SCREW
4	SILENCER COVER PLATE	34	DAMPER
5	SILENCER BODY	35	SCREW
6	SILENCER SEALING PLATE	36	OIL SEAL
7	MUFFLER CONNECTING SCREW	37	IGNITER
8	SCREW	38	SCREW
9	SPARK PLUG NHSP LD L8RTF	39	EXTINCTION CONDUCTOR
10	AIR INTAKE TUBE SEALING PLATE	40	NUT
11	AIR INTAKE TUBE	41	FLYWHEEL ASSEMBLY
12	CARBURETOR SEALING PLATE	42	PUSHER DOG SCREW
13	CYLINDER SEALING PLATE	43	PUSHER DOG
14	PISTON RING	44	TORSION ROD SPRING
15	PISTON PIN	45	FLYWHEEL
16	PISTON PIN CIRCLIP	46	CLUTCH ASSEMBLY
17	PISTON	47	RETAINER
18	NEEDLE BEARING RING	48	CLUTCH EXTENSION SPRING
19	NEEDLE BEARING	49	SHOE BLOCK
20	CRANK SHAFT COMPONENTS	50	CLUTCH ADJUSTING WASHER
21	SEMICIRCULAR KEY	51	CLUTCH SHELL
22	LEFT CRANK CASE	52	NEEDLE BEARING
23	BEARING 6202	53	WORM
24	CASE BODY SEALING PLATE	54	COVER PLATE
25	RIGHT CRANK CASE	55	OIL PUMP
26	SHIELD RING	56	OIL OUTGOING TUBE
27	OIL SEAL	57	WORM WASHER
28	SCREW	58	OIL INGOING TUBE
29	DOUBLE-SCREW BOLT	59	OIL FILTER SCREEN
30	TENSION BLOCK	60	NOZZLE

BM091120-1