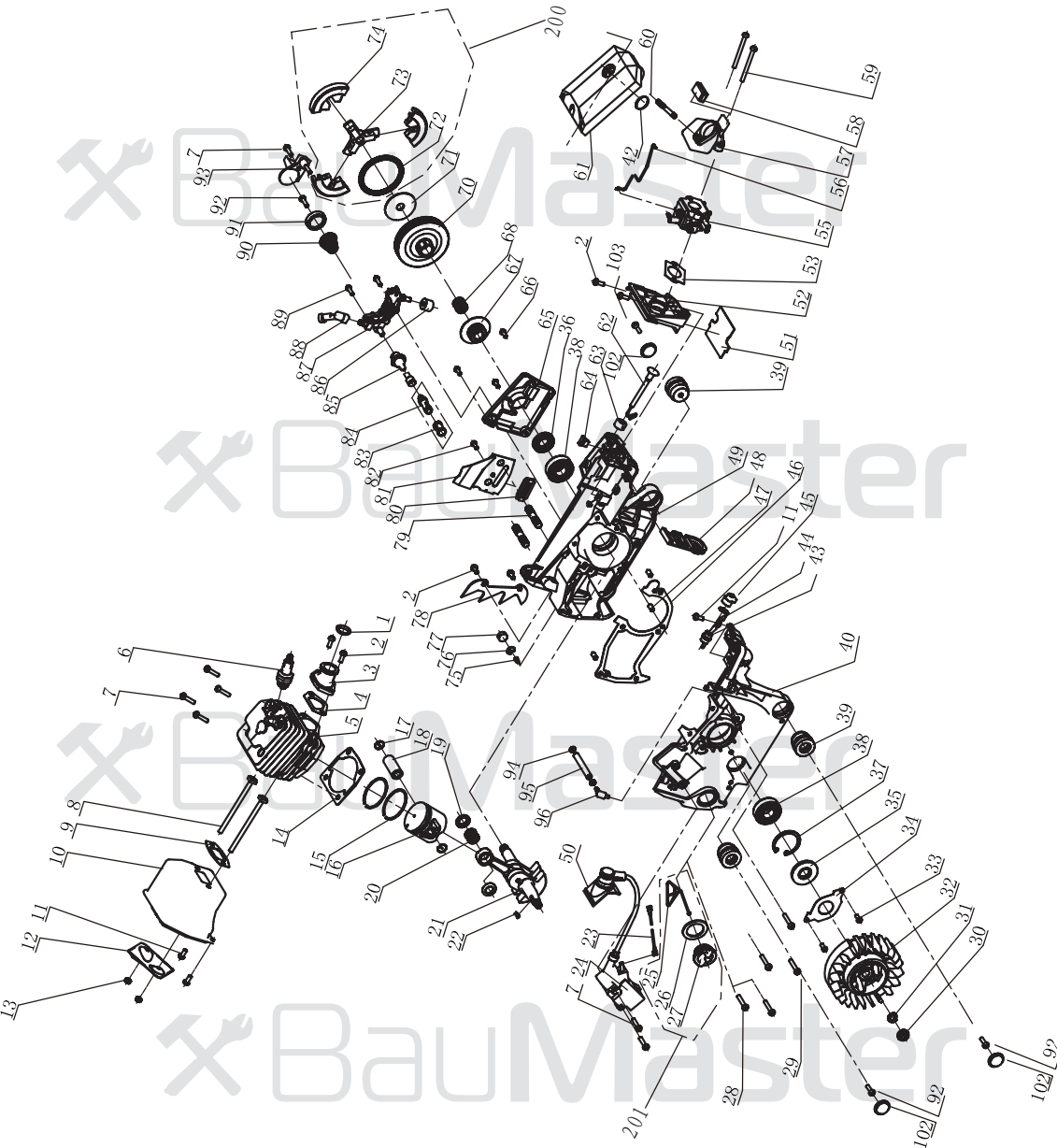
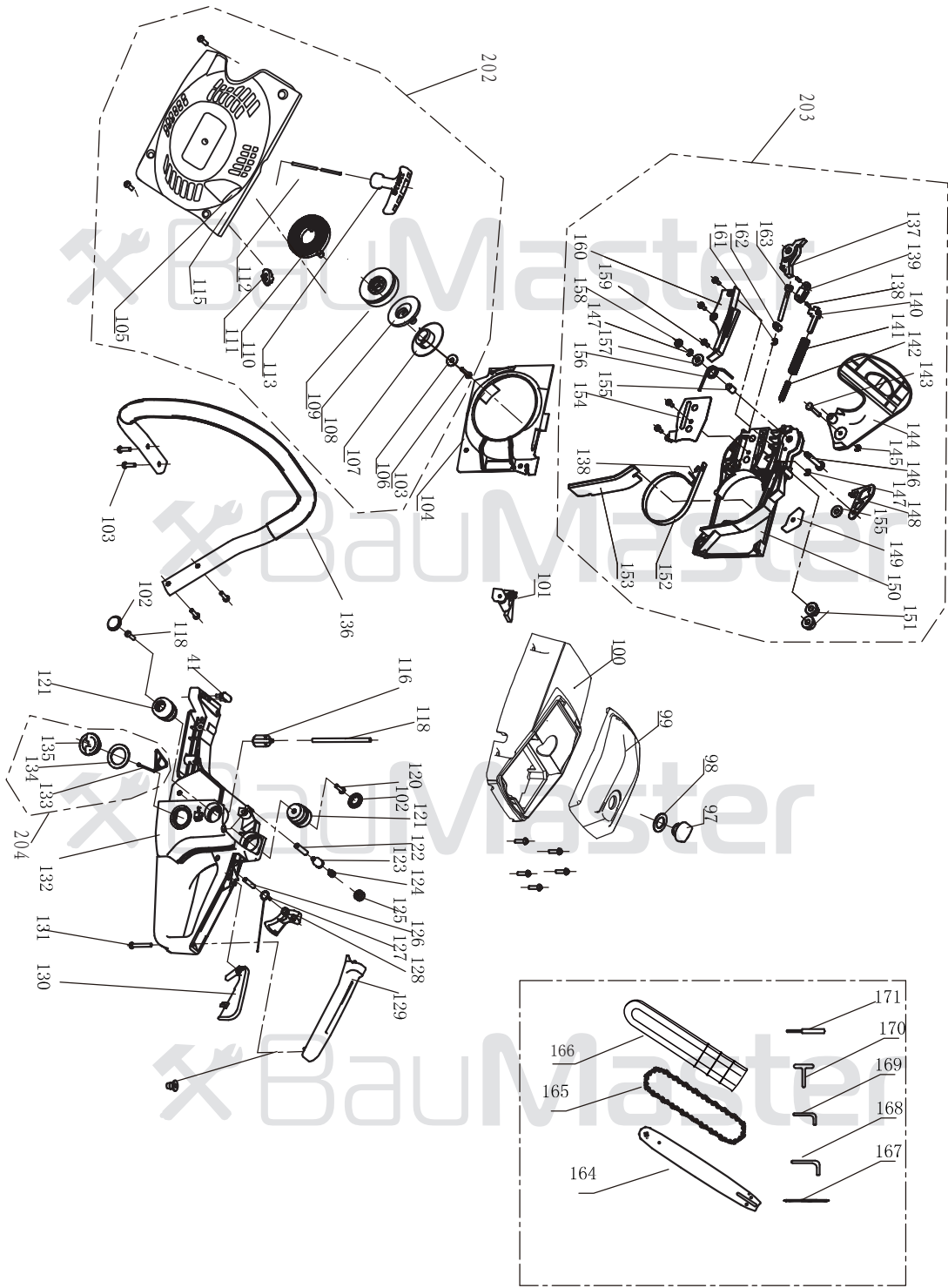


ENGINE FOR GC-9945



NO.	DESCRIPTION	NO.	DESCRIPTION
1	RETAINING RING	51	PLATE
2	SCREW TX M5x14	52	INTAKE PIPE SUPPORT
3	INTAKE-TUBE	53	CARBURETOR GASKET
4	INTAKE MANIFOLD GASKET	55	CARBURETOR
5	CYLINDER BLOCK	56	THROTTLE ROD
6	SPARK PLUG	57	THE AIR INLET ELBOW
7	SCREW TX M5x20	58	SHOCK ABSORBER RUBBER SLEEVE
8	MUFFLER BOLT M5*87	59	CARBURETOR SCREW
9	MUFFLER GASKET	60	STUD BENDS
10	MUFFLER	61	AIR FILLER
11	SCREW M5*10	62	DAMPER
12	SILENCER COVER	63	CHOKE ROD DAMPING
13	M5 NUT	64	THROTTLE PULL ROD
14	CYLINDER GASKET	65	THE OIL PUMP COVER
15	RING-PISTON	66	COVER SCREW M4*12
16	PISTON	67	TURBINE
17	PISTON PIN CIRCLIP	68	(CLUTCH DRIVEN DISK) BEARING
18	PISTON PIN	70	CLUTCH HOSEING
19	BEARING RETAINER	71	THE LFY HAMMER WEAR PAD
20	HEAD NEEDLE ROLLER BEARINGS-11*-15*12.5	72	CLUTCH SPRING
21	CRANKSHAFT AND CONNECTING ROD	73	THE HOLDER
22	WOODRUFF KEY 3*10	74	FLY HAMMER
23	FLAMEOUT SWITCH LINE	75	AIR NOZZLE
24	COIL	76	AIR NOZZLE CIRCLIP
25	OIL FILLER CAP OIL FILM	77	AIR NOZZLE SPONGE
26	FUEL TANK CAP GASKET	78	TOOTH PLATE
27	OIL FILLER CAP	79	STUD
28	SCREW TX M5x25	80	CHAIN GUIDE BLOCK
29	SCREW TX M5x30	81	OIL OUTLET COVER
30	SCREW M8*1	82	SCREW M4*10
31	ELASTIC PAD -8	83	OIL FILTER NETTING
32	ROTOR	84	OIL FILTER
33	SEAL BAFFLE SCREW M4*6	85	OIL PUMP INLET PIPE
34	SEAL BAFFLE	86	DUST FILTER COTTON
35	SEAL-15*-35*4.5	87	OIL PUMP
36	SEAL-15*-28*4.5	88	OIL PUMP OUTLET PIPE
37	RING-35	89	SCREW M4*12
38	BEARING 6202	90	A TOWER SHAPED SPRING
39	SHOCK ABSORBING SEAT	91	A TOWER SHAPED SPRING SEAT
40	THE LEFT BOX	92	SCREW ST4.8*16
41	FLAMEOUT SWITCH	93	CHAIN BLOCK
44	GROUNDING SHEET	94	THE NEGATIVE PRESSURE PIPE CLAMP SPRING
45	FLAMEOUT SWITCH SEAT	95	THE NEGATIVE PRESSURE PIPE
46	BOX SEALING PAD	96	NEGATIVE PRESSURE NOZZLE
47	POSITIONING PIN	102	DUST COVER
48	DUSTPROOF RUBBER BLOCK	200	CLUTCH SPRING/BLOCK ASSEMBLY
49	THE RIGHT BOX	201	OIL FILLER CAP ASSEMBLY

GC-9945



NO.	DESCRIPTION	NO.	DESCRIPTION
97	LOCK NUT	138	CYLINDRICAL PIN 3*9
98	RUBBER GASKET	139	AUXILIARY LEVER
99	AIR FILTER COVER	140	BRAKE CONTROL LEVER
100	THE UPPER COVER	141	MAIL SPRING
101	LDING ADJUSTING GUIDE SLEEVE	142	AUXILIARY SPRING
103	SCREW ST4.8*12	143	LIMITING PIN
104	AIR DEFLECTOR	144	FRONT BAFFLE
105	START COVER JACKET	145	3-RING
106	THE ROPE ROUND GASKET	146	FRONT PLATE PIN
107	SMALL ROPE WHEEL	147	4-RING
108	BIG SPRING	148	LIMITING PLATE
109	BIG ROPE WHEEL	150	RIGHT SIDE PLATE
110	START SPRING	151	SCREW M8
111	LH SHEATH	152	BRAKE BAND
112	START PULLING ROPE	153	OIL BAFFLE PLATE
113	STARTING HANDLE	154	GUIDE PLATE
115	STARTER COVER	155	FRONT BAFFLE CASING
116	FUEL FILTER	156	BRAKE SPRING
118	FUEL PIPE	157	SHIM 6*18
120	SCREW M5*12	158	RUBBER RING
121	LONG DAMPING	159	SCREW ST4.2*9.5
122	BALANCER SEAT	160	SPRING COVER
123	BALANCER VENTILATION MOUTH	161	CARD
124	BALANCER BODY	162	TENSIONING BLOCK
125	BALANCER COVER	163	TENSIONING SCREW
126	CYLINDRICAL PIN	164	CHAIN GUIDE
127	THE TRIGGER SPRING	165	CHAIN SAW
128	TRIGGER	166	CHAIN GUIDE COVER
129	HANDLE COVER	167	FILE
130	THE TRIGGER CONTROL ARM	168	T4 SPANNER
131	SCREW ST5*19	169	T3 SPANNER
132	FUEL TANK	170	SOCKET WRENCH
133	FUEL FILM	171	SCREW DRIVE
134	OIL SEAL	202	STARTER ASSEMBLY
135	FUEL FILLER CAP	203	RIGHT COVER ASSEMBLY
136	GRIP	204	FUEL FILLER CAP ASSEMBLY
137	THE MAIL LEVER		