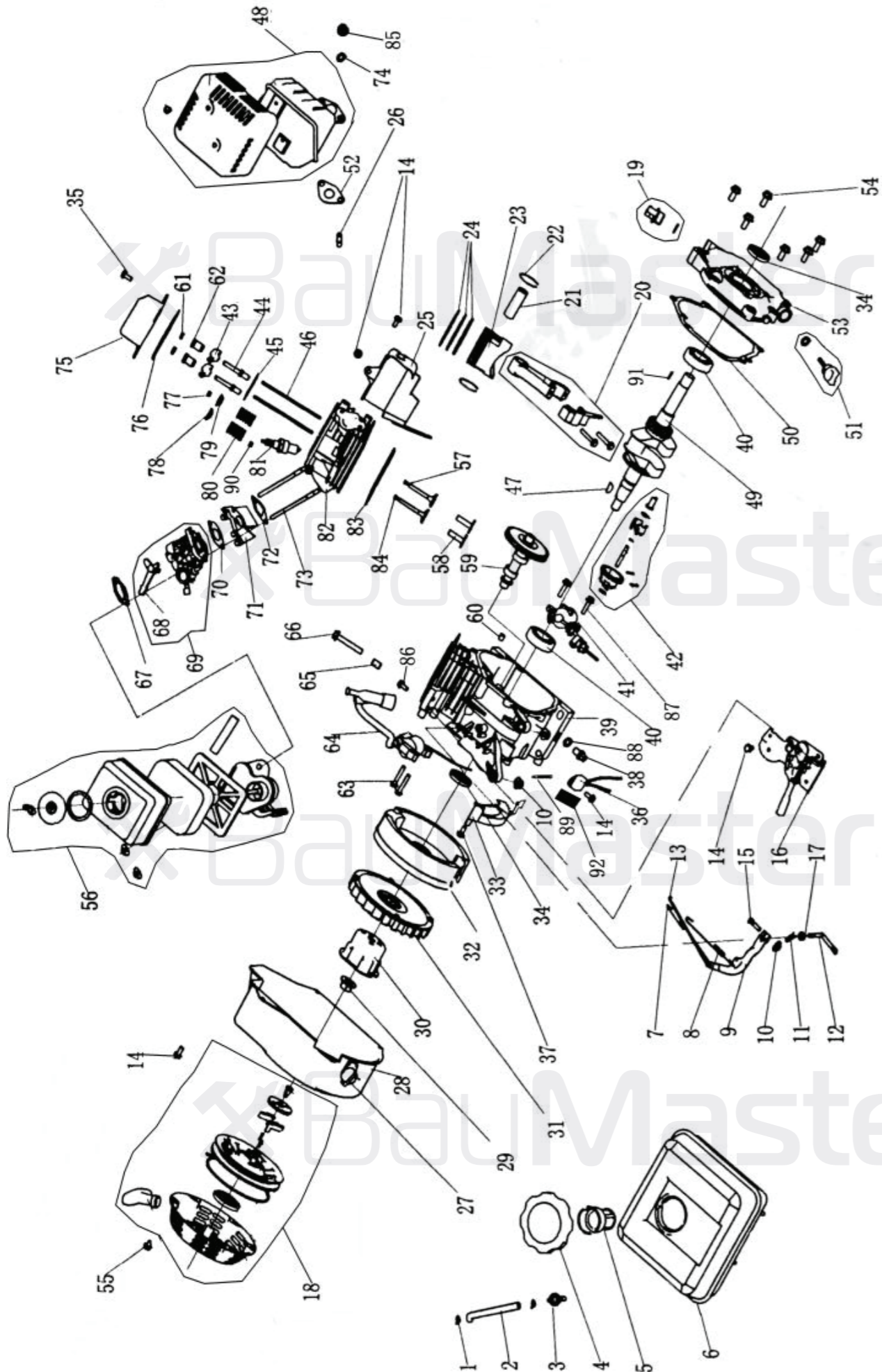


GK-8360X

NO.	DESCRIPTION	NO.	DESCRIPTION	NO.	DESCRIPTION
1	CLUTCH SWITCH	38	LOCKNUT M5	75	CIRCLIP 28
2	HANDLE GRIP	39	SPRING WASHER 8	76	FORWARD TENSION ARM
3	DOWN CLUTCH SWITCH HOLDER	40	NUT M8	77	DEEP GROOVE BALL BEARING 6001
4	UPPER CLUTCH SWITCH HOLDER	41	FENDER	78	FORWARD TENSION PULLEY
5	INNER HEXAGON BOLT M6x20	42	OUTER HEXAGON FLANGE LOCKNUT M8	79	SCREW M6X16
6	STEER	43	OUTER HEXAGON FLANGE BOLT M8x16	80	FORWARD SMALL BELT WHEEL
7	REVERSE CABLE	44	RIGHT LENGTHEN BOARD	81	NUT
8	FORWARD CABLE	45	WHEEL ADJUSTMENT LEVER	82	SPRING PIN ϕ 6x30
9	LOCKNUT M8	46	WHEEL SUPPORT ASSEMBLY	83	BIG BELT WHEEL
10	SPRING WASHER 6	47	LOCKNUT M12	84	FORWARD BELT
11	FLAT WASHER 8	48	FLAT WASHER 12	85	BACK BELT POSITION BUSH
12	THROTTLE SWITCH	49	SPRING	86	FRONT BELT POSITION BUSH(RIGHT)
13	CLUTCH CABLE	50	FLAT WASHER 10	87	POSITION BUSH
14	LOCKNUT M6	51	WHEEL BUSHING	88	FRONT BELT POSITION BUSH(LEFT)
15	LEFT THROTTLE SWITCH BOX	52	B PIN ϕ 2x37	89	BELT DANGGAN
16	RIGHT THROTTLE SWITCH BOX	53	WHEEL 7"	90	BELT COVER
17	OUTER HEXAGON BOLT M6x40	54	OUTER HEXAGON BOLT M12x65	91	LEFT BLADE
18	LEFT BASE	55	OUTER HEXAGON BOLT M8x25	92	BLADE HOLDER 4
19	OUTER HEXAGON NUT M10X1	56	FIXING BOARD	93	RIGHT BLADE
20	SPRING WASHER 10	57	FLAT WASHER ϕ 8x ϕ 28x3	94	BLADE HOLDER 2
21	SHAFT PIN ϕ 10x60	58	GEAR TENSION BUSHING	95	OUTER HEXAGON FLANGE BOLT M8x45
22	OUTER HEXAGON BOLT M10X1X25	59	CIRCLIP 35	96	OUTER HEXAGON FLANGE BOLT M8x40
23	HANDLE KNOB NUT	60	DEEP GROOVE BALL BEARING 6003	97	RIGHT BASE
24	FLAT WASHER ϕ 10x ϕ 30x2	61	BIG SPROCKET	98	SHAFT PIN ϕ 10x40
25	OUTER HEXAGON BOLT M10x40	62	FLAT WASHER ϕ 8x ϕ 22x2	99	CHAIN BOX BUSHING
26	UPPER HANDLE SEAT	63	SMALL BELT WHEEL BUSHING	100	SHAFT PIN ϕ 10x50
27	SPRING	64	SMALL SPROCKET	101	FLAT WASHER 6
28	DOWN HANDLE SEAT	65	TENSION BUSHING	102	RIGHT CHAIN BOX
29	HANDLE SEAT	66	FALT KEY 4.78x5x45	103	DEEP GROOVE BALL BEARING 6206
30	LOCKNUT M10	67	REVERSE TENSION ARM	104	BIG SPROCKET
31	OUTER HEXAGON FLANGE BOLT M8x20	68	REVERSE TENSION PULLEY	105	CHAIN 08B-1-80
32	SCREW M10X65	69	DEEP GROOVE BALL BEARING 628	106	LEFT CHAIN BOX
33	FIXING BOARD BUSHING	70	CIRCLIP 8	107	SMALL SPROCKET
34	ENGINE	71	CIRCLIP 24	108	SMALL SPROCKET BUSHING
35	DEPTH SKID	72	REVERSE BELT	109	BASE BUSHING
36	OUTER HEXAGON FLANGE BOLT M6x30	73	REVERSE BELT GUARD	110	OUTER HEXAGON FLANGE BOLT M6x16
37	LEFT LENGTHEN BOARD	74	CIRCLIP 12	111	OUTER HEXAGON BOLT M5X20

ENGINE FOR GK-8360X



No.	SPARE PARTS CODE	NAME	No.	SPARE PARTS CODE	NAME
1	2.55.07.001000	CLIP TUBE	47	2.63.01.01036	KEY SPECIAL WOODRUFF
2	2.55.06.000100	TUBE FUEL	48	/	MUFFLER ASSY
3	2.55.05.005206	JOINT ASSY FUEL TANK	49	/	CRANKSHAFT COMP
4	2.55.05.005201	CAP COMP FUEL FILLER	50	2.60.01.001100	PACKING CASE COVER
5	2.55.05.005205	FILTER FUEL	51	/	OIL FILLER CAP
6	/	TANK COMP FUEL	52	2.60.03.000100	GASKET MUFFLER
7	2.54.02.000200	SPRING THROTTLE RETURN	53	2.51.05.000800	COVER
8	2.54.02.000300	SPRING THROTTLE RETURN	54	2.63.01.00208	BOLT, M8*32
9	2.54.04.000100	ARM GOVERNOR	55	2.63.01.00166	BOLT, M6*10
10	2.63.01.00274	NUT FLANGE	56	/	AIR CLEANER
11	2.63.01.00340	PIN LOCK	57	2.50.04.000100	VALVE EX
12	2.51.03.000100	SHAFT GOVERNOR ARM	58	/	LEFTER VALVE
13	2.54.03.000100	ROD GOVERNOR	59	/	CAMSHAFT ASSY
14	2.63.01.00170	BOLT FLANGE	60	2.63.01.00404	PIN FLYING BLOCK
15	2.63.01.00092	BOLT QUADRATE HEAD	61	2.50.05.000101	PIVOT ROCKER ARM
16	/	CONTROL ASSY	62	2.50.05.000102	NUT PIVOT ADJUSTING
17	2.63.01.00370	WASHER PAIN	63	2.63.01.00181	BOLT FLANGE 6*25
18	/	COVER COMP FAN	64	2.53.02.000100	COIL ASSY IGNITION
19	/	OIL STICK	65	2.63.01.00406	PIN DOWER
20	/	CONNECTING ROD	66	2.63.01.00256	BOLT FLANGE 8*55
21	/	PIN PISTON	67	2.60.05.000100	SPACER COMP AIR CLEANER
22	2.51.10.000100	CLIP PISTON PIN	68	2.55.01.000601	CHOKE HANDLE
23	/	PISTON	69	/	CARBURETOR
24	/	RING SET	70	2.60.04.000100	PACKING CABURETOR
25	2.52.06.000100	SHROUD	71	2.55.02.000100	INSULATOR, CARBURETOR
26	2.63.01.00045	BOLT STUD EXHAUST	72	2.60.02.000100	PACKING INSULATOR
27	2.53.05.000200	SWITCH ASSY ENGINE STOP(OIL ALERT)	73	2.63.01.00051	BOLT STUD IN
28	/	COVER COMP FAN	74	2.63.01.00365	WASHER, φ8
29	2.63.01.00278	NUT SPECIAL	75	/	COVER COMP HEAD
30	2.52.03.000100	PULLEY STARTER	76	2.60.09.000100	PACKING HEAD COVER
31	2.52.04.000200	FAN COOLING	77	2.50.09.001300	RATATOR VALVE
32	2.53.01.000100	FLYWHEEL COMP	78	2.50.09.000200	SEAL GUIDE
33	2.52.07.000100	DIVERSION ASSY	79	2.50.09.000300	RETAINER VALVE SPRING
34	2.51.17.000100	OIL SEAL25*41.25*6	80	2.50.09.000100	SPRING VALVE
35	2.63.01.00173	BOLT FLANGE	81	2.53.06.000200	PLUG SPARK
36	2.51.04.000700	ALART UNIT OIL	82	/	HEAD COMP CYLINDER
37	2.63.01.00178	BOLT FLANGE	83	/	GASKET CYLINDER
38	2.63.01.00149	BOLT DRAIN PLUG	84	2.50.03.000100	VALVE IN
39	/	CRANK CASE	85	2.63.01.00270	NUT HEX 8MM
40	2.63.02.006000	BEARING RADIAL BALL	86	2.63.01.00182	BOLT, M6*28
41	2.51.04.000100	OIL LEVEL SWITCH	87	2.63.01.00175	BOLT, M6*16
42	2.51.02.000100	GEAR GOVERNOR	88	2.63.01.00497	WASHER DRAIN PLUG
43	2.50.05.000104	ARM VALVE ROCKER	89	2.62.01.000100	WIRE CLIP
44	2.50.05.000103	BOLT PIVOT ARM	90	2.50.10.000100	SEAL GUIDE
45	2.50.06.000100	PLATE ASSY	91	/	PING
46	2.50.07.000100	ROD PUSH	92	2.62.01.000600	CORD SLEEVE