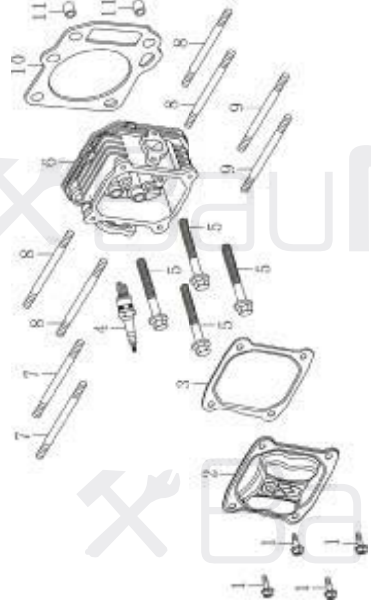


PART CATALOGUE FOR ENGINE

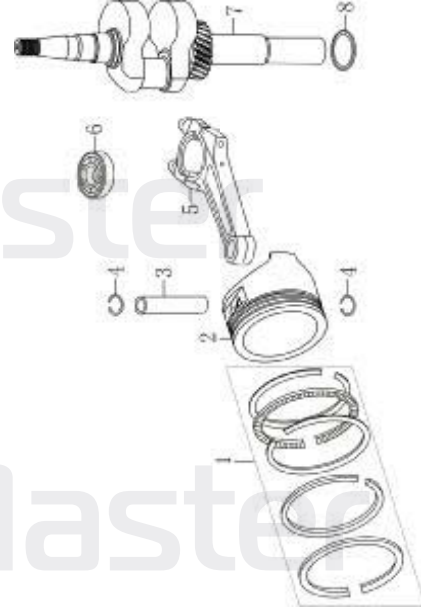
1P61FA FOR GK-8340X

VERSION No. : BM20111202

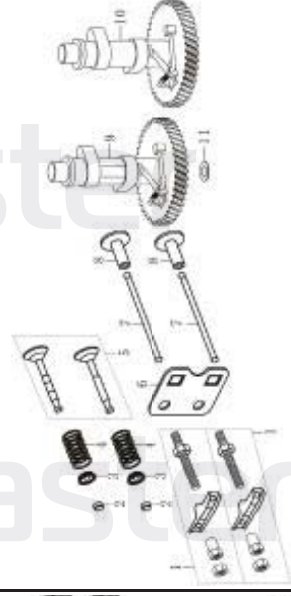
Cylinder head



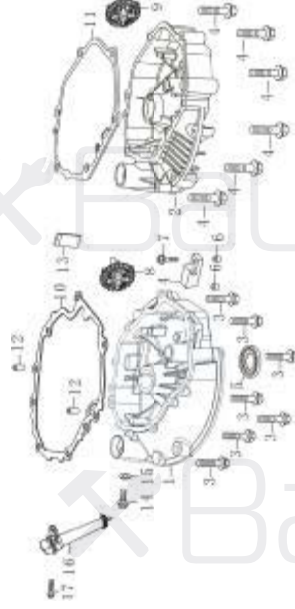
Crankshaft/Piston/connecting rod



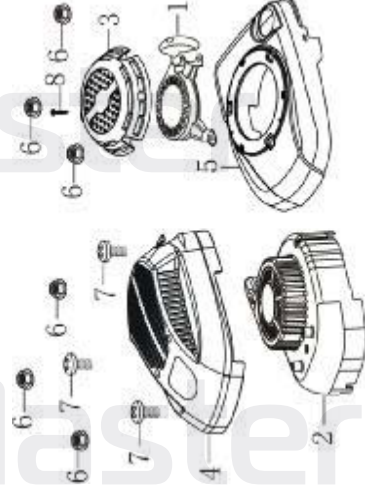
Camshaft



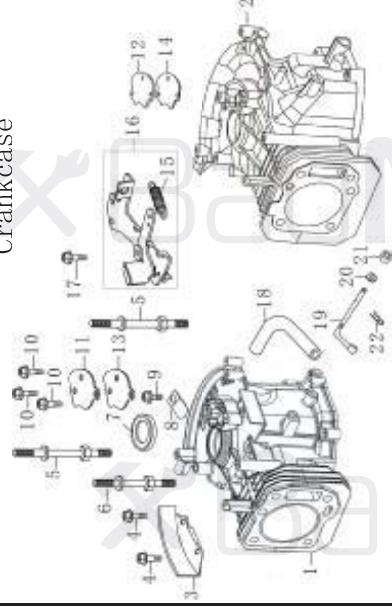
Crankcase cover



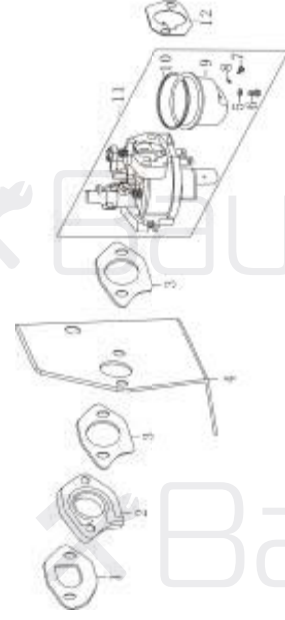
Starter



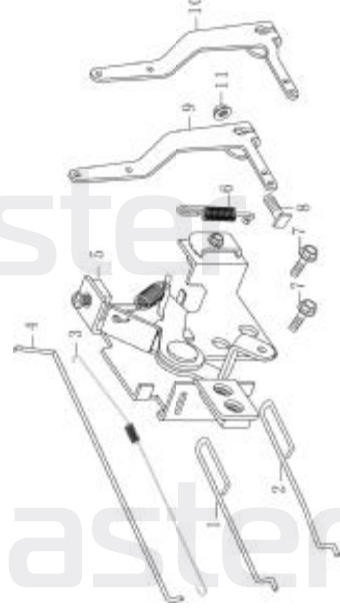
Crankcase



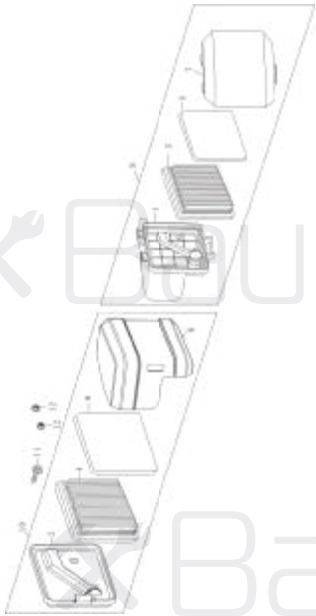
Carburetor



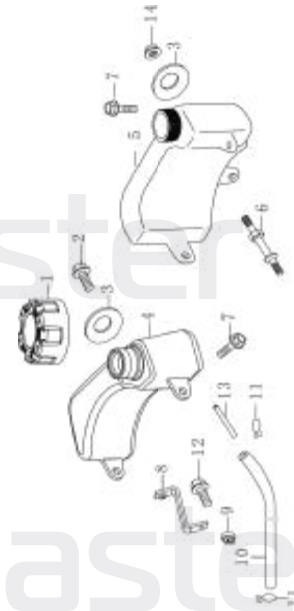
Control



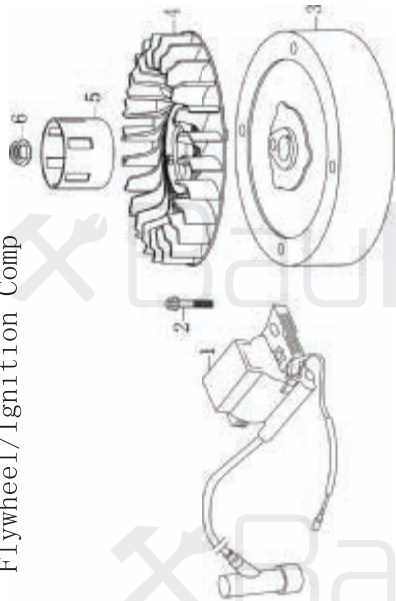
Air cleaner



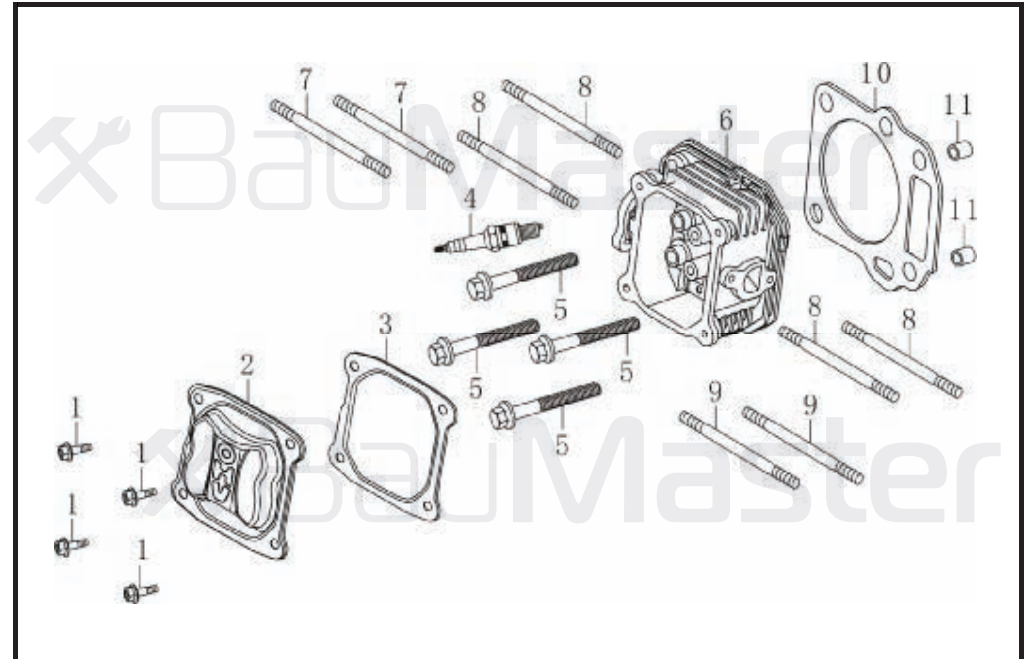
Fuel tank



Flywheel/Ignition Comp

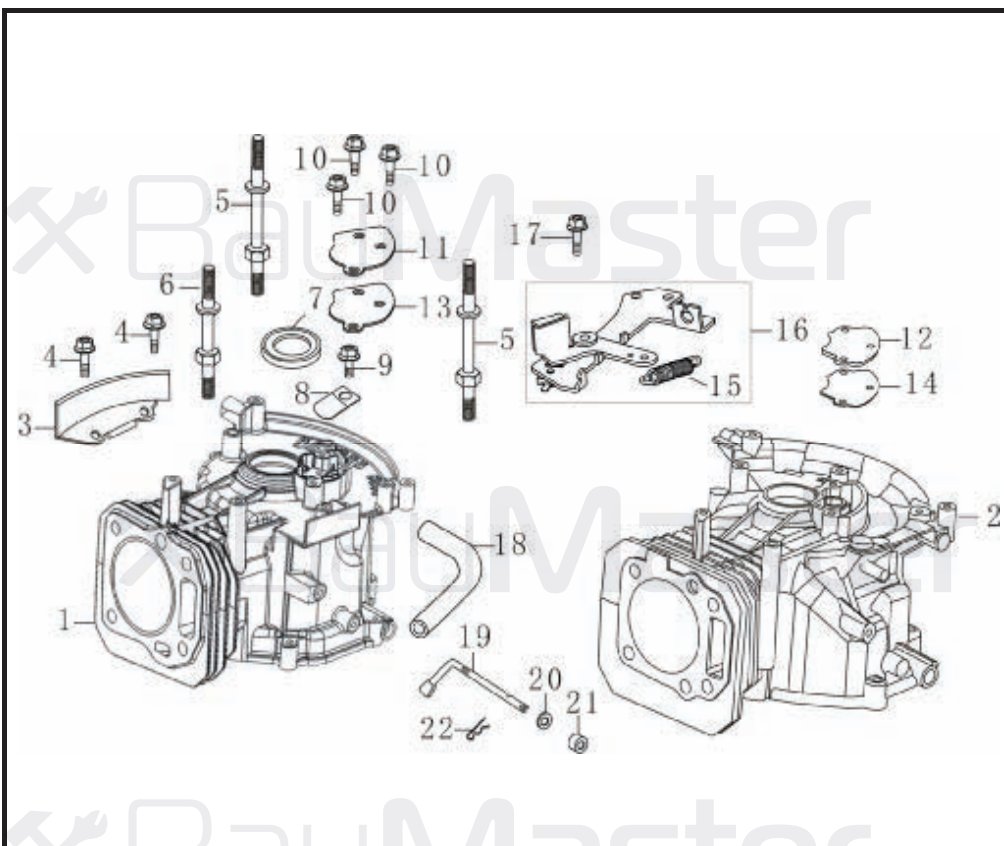


Muffler



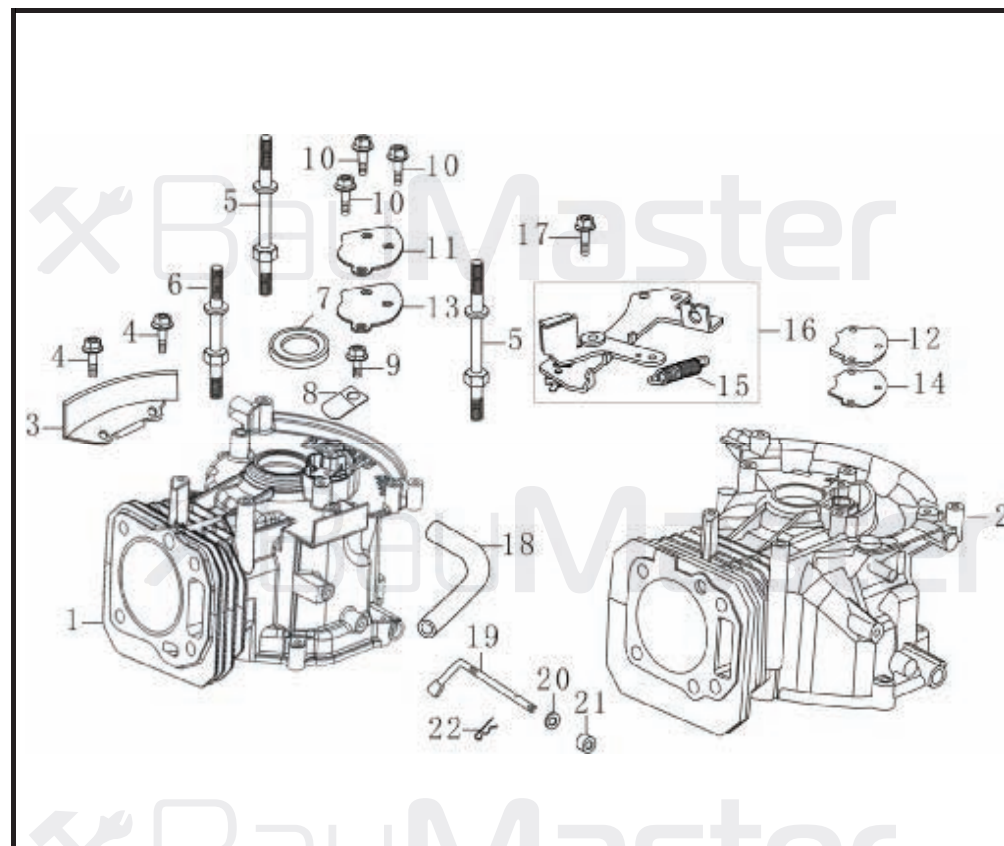
Cylinder head

No.	Part No.	Description	QTY
			1P61FA
1	380020070-0001	HEXAGON SHOULDER BOLT	4
2	120230083-0001	COVER COMP. HEAD	1
3	120250032-0001	PACKING, HEAD COVER	1
4	270960025-0001	PLUG, SPARK F7TC	1
5	380140339-0001	BOLT, CONNECTING, ROD M8*50	4
6	120080288-0001	HEAD COMP, CYLINDER	1
7	380180114-0001	BOLT, STUD M6*89	2
8	380180101-0001	BOLT, STUD M6*95	2
10	120150089-0001	GASKET, CYLINDER	1
11	380600117-0001	PIN, DOWEL, 10*14	2



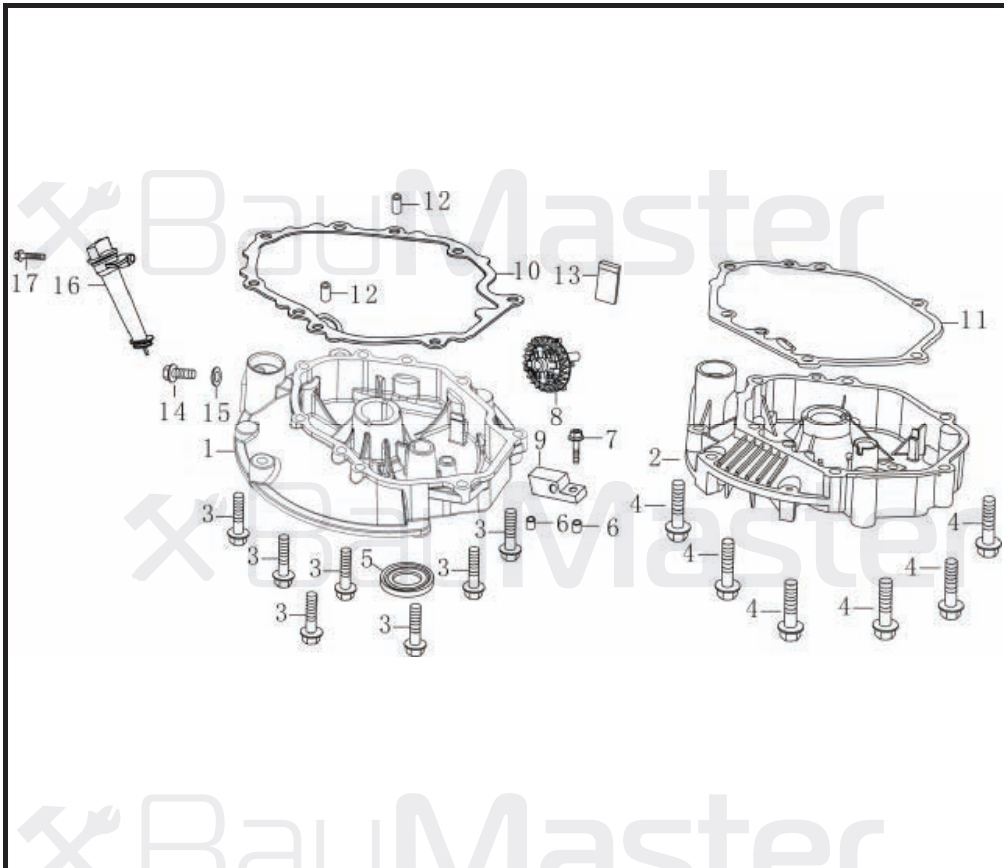
Crankcase

No.	Part No.	Description	QTY
			1P61FA
1	110810143-0001	CRANK CASE	1
3	160200032-0001	SHIELD, TANK SIDE	1
4	380140013-0005	BOLT, FLANGE M6*16	2
5	380850006-0001	BOLT, STUD 6*85	2
6	380850002-0001	BOLT, STUD 6*78.5	1
7	380650335-0001	OIL SEAL 25*38*7	1
8	140250006-0001	REED VALVE	1
9	380140011-0004	BOLT, FLANGE M6*10	1
10	380140441-0001	BOLT, FLANGE M6*14	3
11	110840010-0001	CAP, BREATHER CHAMBER	1



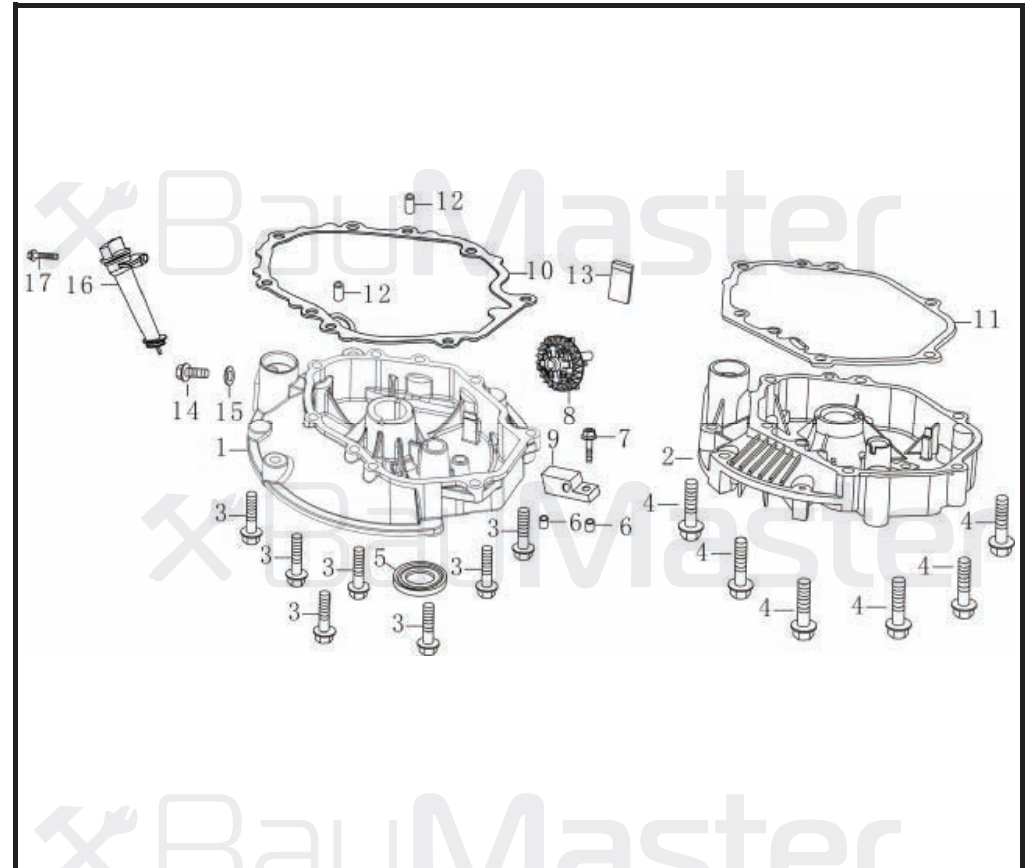
Crankcase

No.	Part No.	Description	QTY
			1P61FA
13	110850010-0001	PACKING, BREATHER CHAMBER	1
15	381140388-0001	SPRING, IDLE CONTROLLER	1
16	293030005-0001	FLYWHEEL BRAKE	1
17	380140086-0002	BOLT, FLANGE M6*22	1
18	380740522-0001	TUBE, BREATHER	1
19	171630010-0001	SHAFT, GOVERNOR ARM	1
20	380450527-0001	WASHER 6*13*1	1
21	380650338-0001	OIL SEAL 6*11*4	1
22	381350004-0001	PIN, LOCK	1



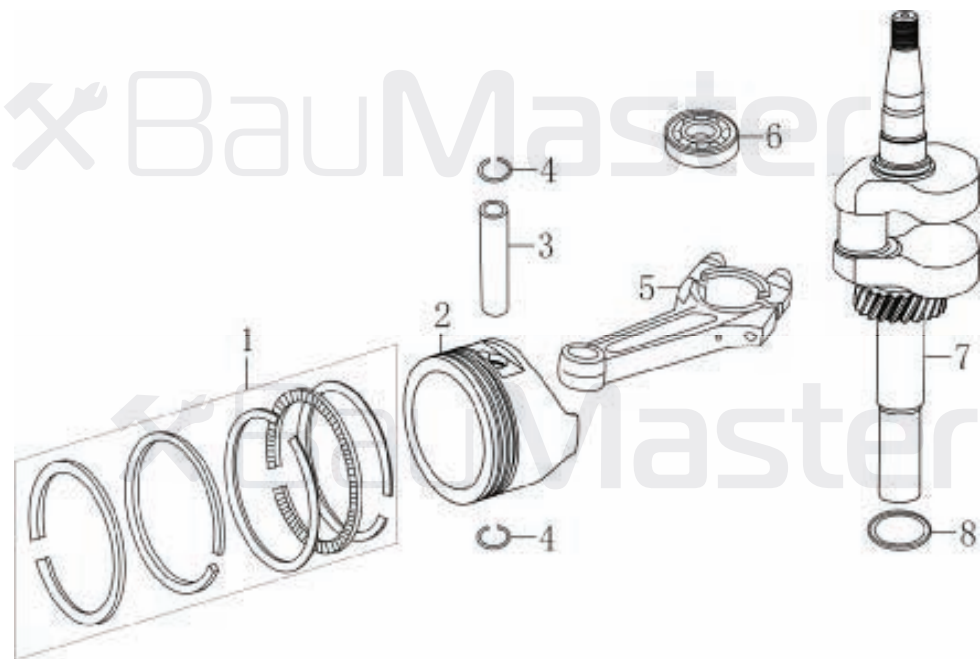
Crankcase cover

No.	Part No.	Description	QTY
			1P61FA
1	110820038-0001	CASE COVER	1
3	380140024-0006	BOLT, FLANGE M6*28	7
5	380650347-0001	OIL SEAL	1
6	380600121-0001	PIN, DOWEL 8*10	2
7	380140077-0005	BOLT, FLANGE M6*20	1
8	171750013-0001	GOVERNOR COMP	1
9	171640003-0001	GOVERNOR ASSY	1
10	110830039-0001	PACKING, CASE COVER	1
12	380600120-0001	PIN, DOWEL 8*14	2



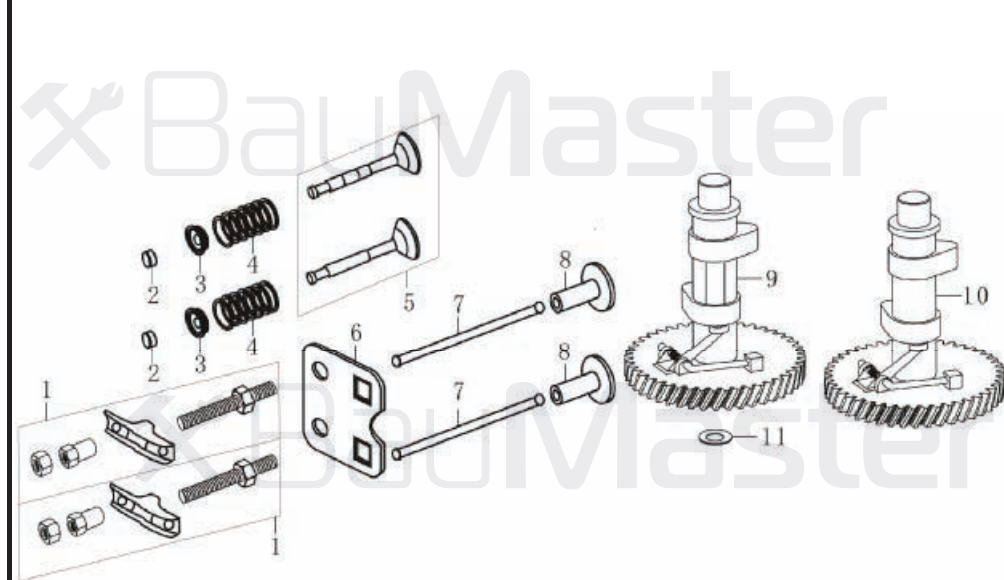
Crankcase cover

No.	Part No.	Description	QTY
			1P61FA
13	150570002-0001	RUBBER, OIL DEFLECTOR	1
14	110260025-0001	DRAIN BOLT	1
15	380450514-0001	WASHER 10*16*1.5	1
16	110690016-0001	CAP ASSY	1
17	380140100-0003	BOLT, FLANGE M6*35	1



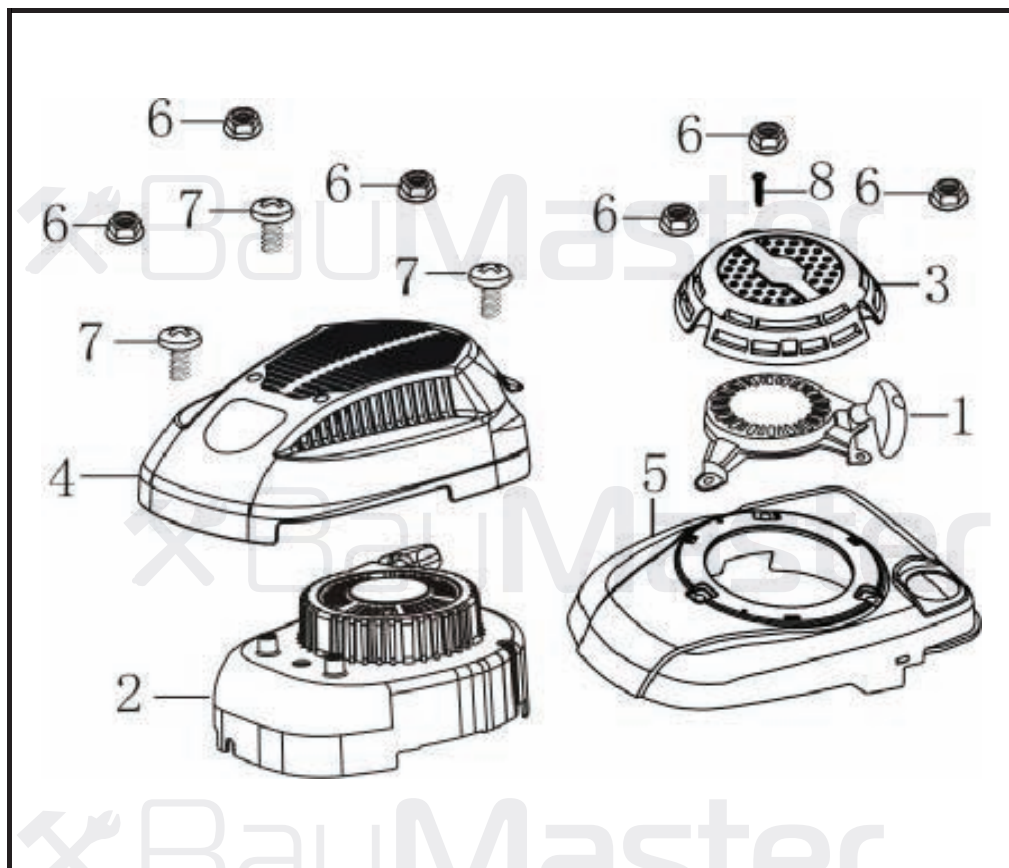
Crankshaft/Piston/connecting rod

No.	Part No.	Description	QTY
			1P61FA
1	130070098-0001	RING SET	1
2	130030106-0001	PISTON	1
3	130060030-0001	PIN. PISTON	1
4	380560055-0001	CLIP, PISTON PIN	1
5	130150051-0001	ROD ASSY., CONNECTING	1
6	380630137-0002	EDDP GROOVE BALL BEAEING 6205	1
7	130290107-0001	CRANKSHAFT COMP (B)	1
8	380450518-0001	WASHER 25.4*34*1	1



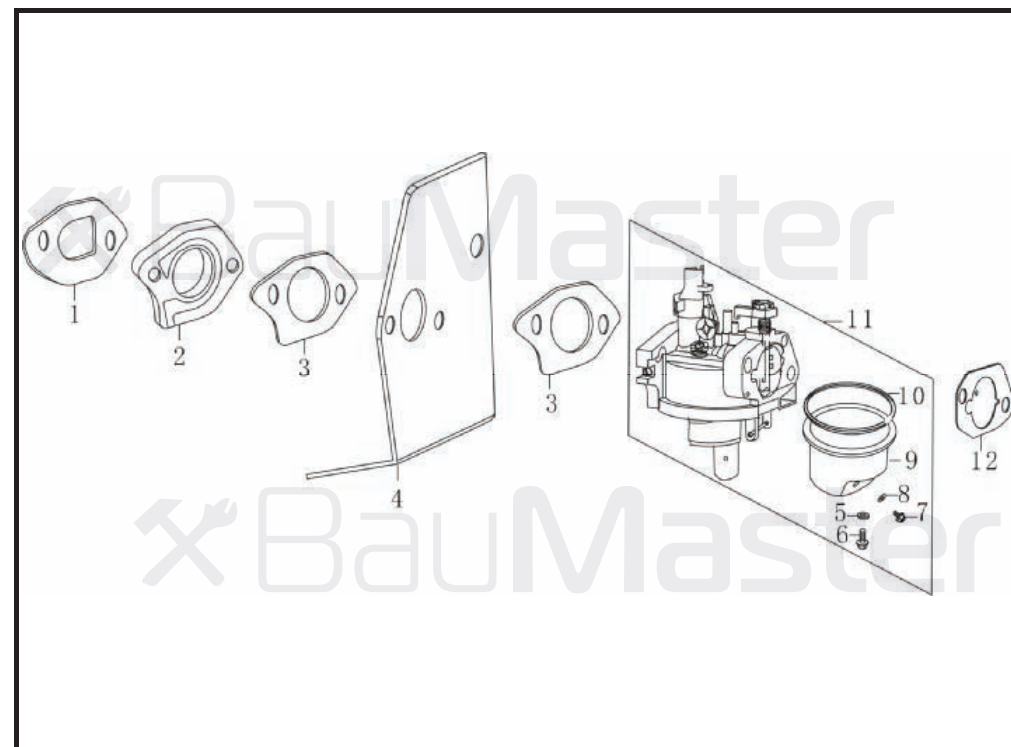
Camshaft

No.	Part No.	Description	QTY
			1P61FA
1	140450022-0001	ARM, VALVE ROCKER	2
3	140380020-0001	RETAINER, VALVE SPRING	2
4	140340022-0001	SPRING, VALVE	2
5	500550034-0001	VALVE ASSY.	1
6	140710003-0001	PLATE ASSY	1
7	140670013-0001	ROD, PUSH	2
8	140690002-0001	LIFTER	2
9	140020058-0001	CAMSHAFT ASSY.	1
11	380450534-0001	WASHER 14.2*20*1	1



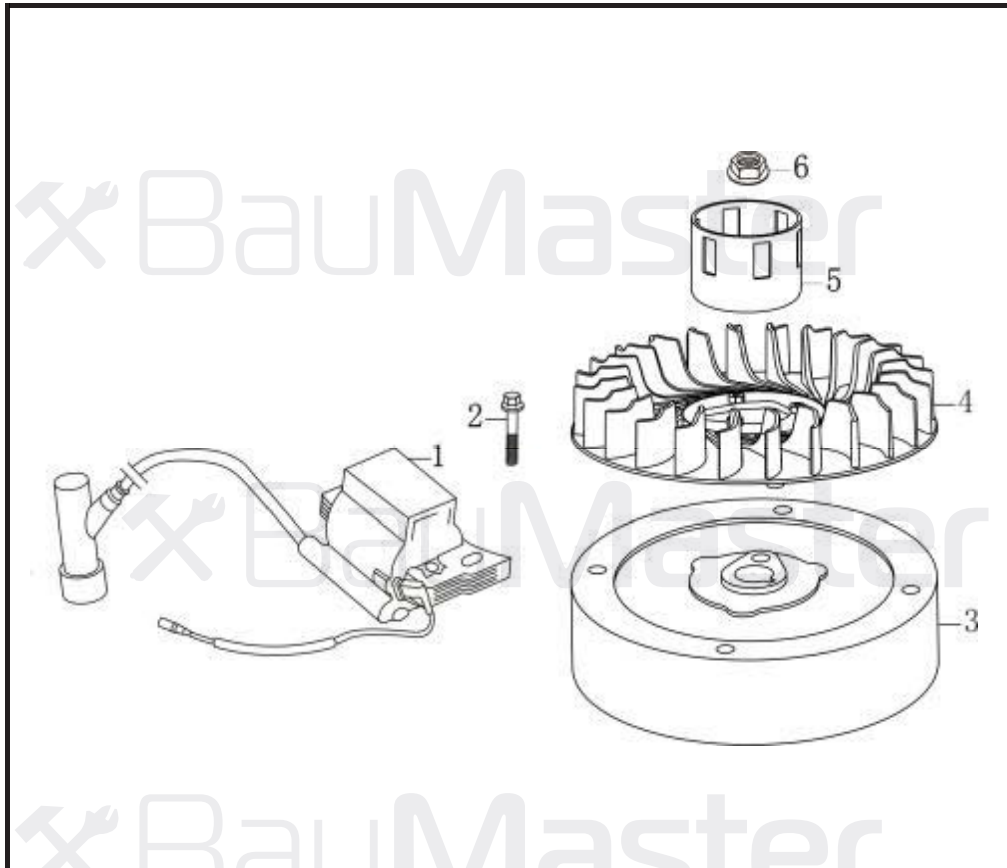
Starter

No.	Part No.	Description	QTY
			1P61FA
1	193490062-0001	STARTER SUBASSEMBLY	1
2	193490094-0001	STARTER SUBASSEMBLY	1
3	193690002-0001	HOOD, FAN COVER	1
4	193690003-0001	HOOD, FAN COVER	1
5	160210022-0004	Cover Comp., Pan	1
6	380370066-0001	NUT, FLANGE M6	3
7	380200008-0005	SCREW, PAN M4*10	3
8	380310135-0001	SCREW	1



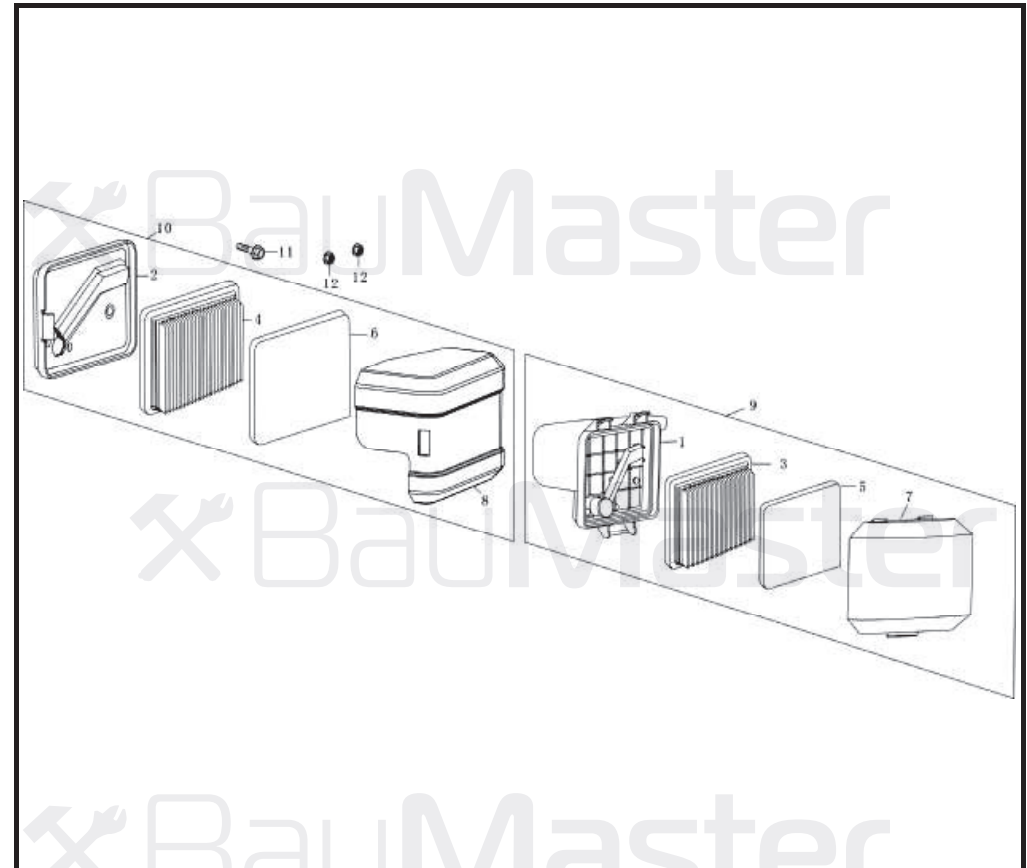
Carburetor

No.	Part No.	Description	QTY
			1P61FA
1	170430057-0001	PACKING, INSULATOR	1
2	170440055-0001	INSULATOR, CARBURETOR	1
3	170430046-0001	PACKING, CARBURETOR	2
4	170450001-0001	PACKING, CARBURETOR	1
5	380450539-0001	GASKET, OIL CUP BOLT	1
6	380140353-0001	BOLT, FLANGE	1
7	172930001-0001	DRAIN BOLT	1
8	380450577-0001	WASHER	1
9	170250021-0002	OIL CUP	1
10	380840455-0001	GASKET, OIL CUP	1
11	170020454-0001	CARBURETOR	1
12	170430067-0001	GASKET, AIR CLEANER	1



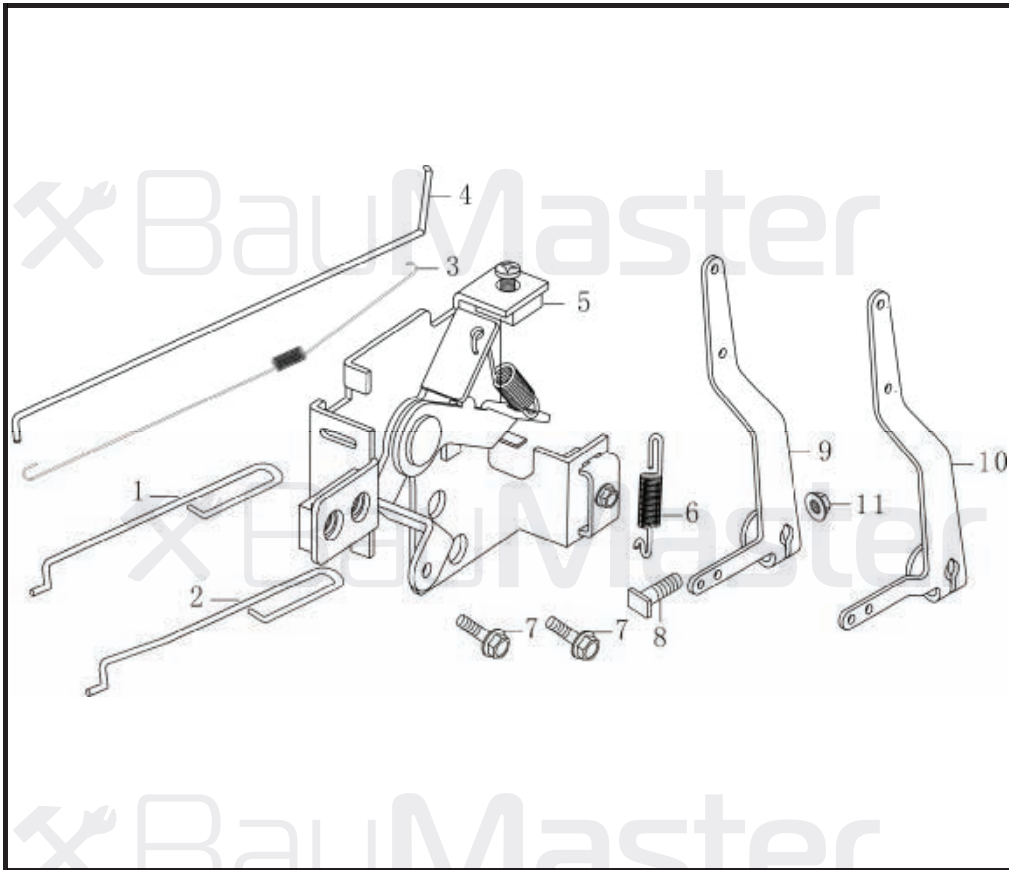
Flywheel/Ignition Comp

No.	Part No.	Description	QTY
			1P61FA
1	270920177-0001	COIL ASSY., IGNITION	1
2	380140086-0002	BOLT, FLANGE M6*22	1
3	270020096-0001	FLYWHEEL COMP	1
4	160180015-0001	FAN, COOLING	1
5	193590005-0001	PULLEY, STARTER	1
6	380370051-0001	NUT, SPECIAL	1



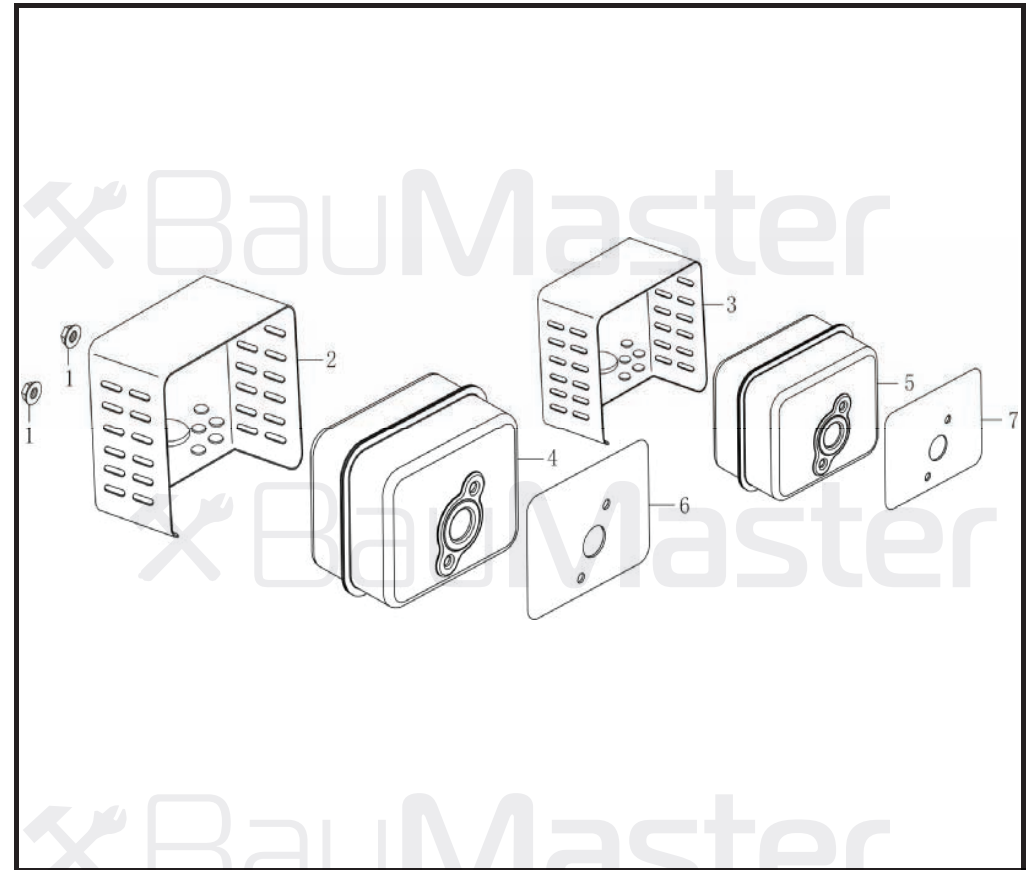
Air cleaner

No.	Part No.	Description	QTY
			1P61FA
1	180280014-0001	ELBOW, COMP AIR CLEANER	1
3	180130178-0001	ELEMENT, AIR CLEANER	1
5	180130157-0001	FILTER, OUTER	1
7	180070118-0001	COVER, AIR CLEANER	1
9	180020403-0001	AIR CLEANER ASSY	1
11	380140013-0005	BOLT, FLANGE M6*16	1
12	380370066-0001	NUT, FLANGE M6	2



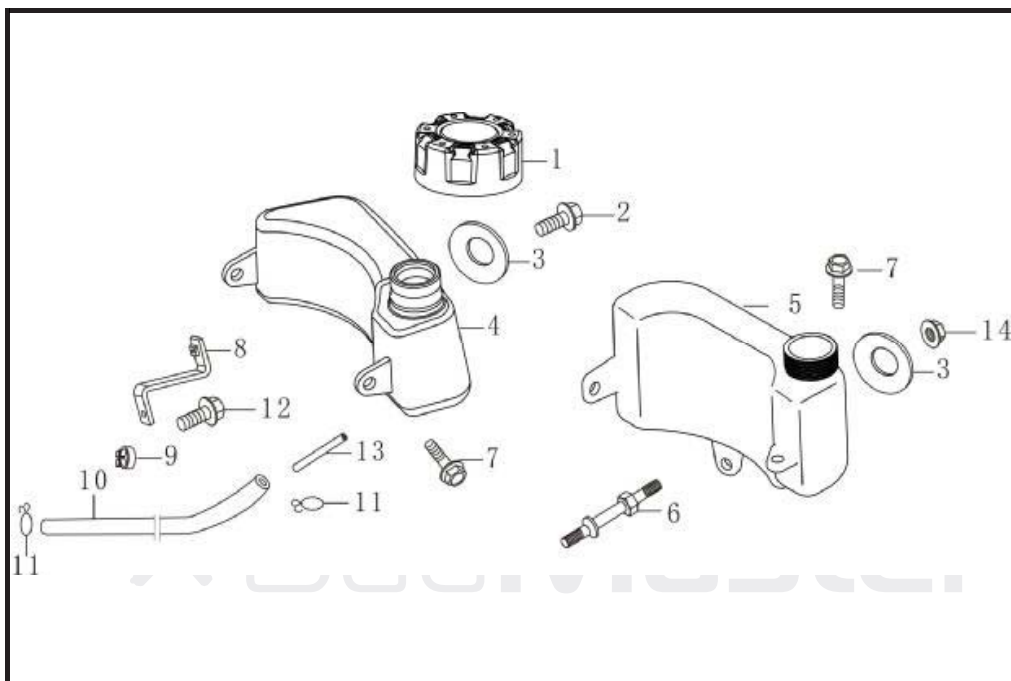
Control

No.	Part No.	Description	QTY
			1P61FA
1	171650004-0001	ROD, THROTTLE	1
3	171610003-0001	SPRING, THROTTLE RETURN	1
4	171590018-0001	ROD, GOVERNOR	1
5	171680038-0001	LIFTER , VALVE	1
6	171600018-0001	SPRING, GOVERNOR	1
7	380140067-0003	BOLT, FLANGE M6*12	2
8	380250002-0001	BOLT, GOVERNOR ARM	1
9	171620015-0001	ARM, GOVERNOR	1
11	380370048-0001	NUT, FLANGE M6	1



Muffler

No.	Part No.	Description	QTY
			1P61FA
1	380370048-0001	NUT, FLANGE M6	2
2	180960034-0001	PROTECTOR COVER, MUFFLER	1
3	180960026-0001	PROTECTOR COVER, MUFFLER	1
4	180570990-0001	MUFFLER ASSY.	1
5	180570824-0001	MUFFLER ASSY.	1
6	180660047-0001	GASKET, MUFFLER	1
7	180660034-0001	GASKET, MUFFLER	1



Fuel tank

No.	Part No.	Description	QTY
			1P61FA
1	170870094-0001	CAP COMP., FUEL FILLER	1
2	380140013-0005	BOLT, FLANGE M6*16	1
3	380450444-0002	WASHER 6*25*2	1
4	170500539-0001	TANK COMP., FUEL	1
5	170500687-0001	TANK COMP., FUEL	1
6	380850003-0001	BOLT, STUD 6*60	1
7	380140013-0005	BOLT, FLANGE M6*16	1
8	170650010-0001	HOLDER, FUEL TANK	1
9	380930025-0001	LOCATION CABLE CLIP	1
10	380750202-0001	TUBE, FUEL 5.5*9.5*295	1
11	380950190-0001	PIPE CLIP	2
12	380140067-0003	BOLT, FLANGE M6*12	1
13	170010017-0001	STRAINER, FUEL	1
14	380370048-0001	NUT, FLANGE M6	1