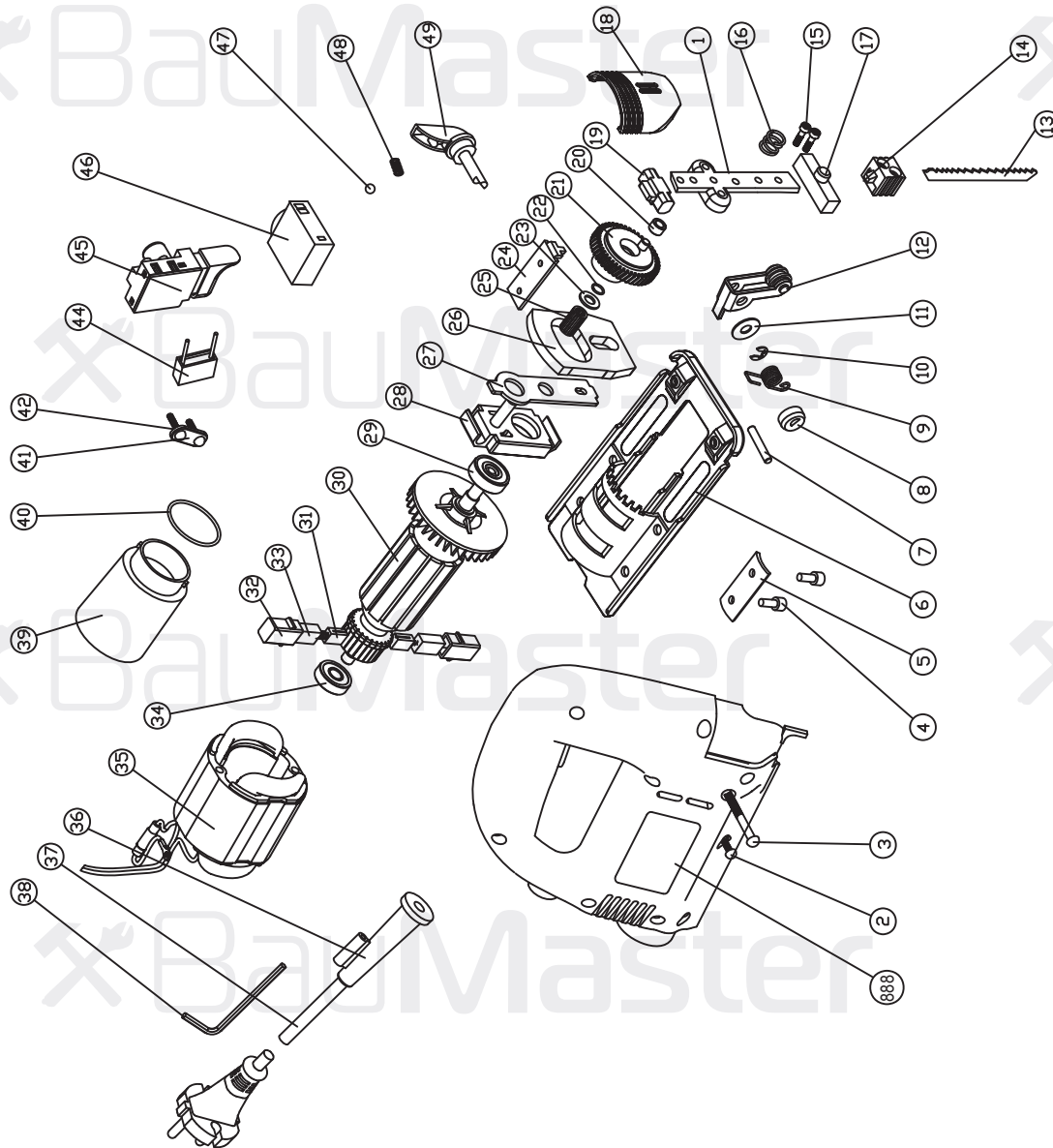


JS-4062X



| NO. | DESCRIPTION | NO. | DESCRIPTION |
|-----|------------------------|-----|------------------------|
| 1 | SAW ARM | 26 | BALANCE ROLLER BEARING |
| 2 | TAPPING SCREW ST3.9X19 | 27 | LIFTING KINFE PLATE |
| 3 | TAPPING SCREW ST3.9X45 | 28 | BEARING HOLDER |
| 4 | ADJUSTING SCREW M4X14 | 29 | BEARING 608Z |
| 5 | FIXING PLATE | 30 | ROTOR |
| 6 | IRON BASE PLATE | 31 | CARBON BRUSH |
| 7 | SAW HOLDER PIN | 32 | BRUSH HOLDER |
| 8 | METAL PENDULUM SWITCH | 33 | BRUSH BUSHING |
| 9 | ROLLER SPRING | 34 | BEARING 607Z |
| 10 | FIXING SPRING | 35 | STATOR |
| 11 | WASHER | 36 | CORD SLEEVE |
| 12 | BALADE SUPPORT ASSN | 37 | AC-CORD&PLUG |
| 13 | BLADE | 38 | HEX KEY |
| 14 | SAW HOLDER | 39 | DUST CONNECTION |
| 15 | ADJUSTING SCREW M4X12 | 40 | "O" TYPE RING |
| 16 | SPRING | 41 | STRAIN RELIEF |
| 17 | HOLDER FOR SAW ARM | 42 | TAPPING SCREW ST3.9X14 |
| 18 | FINGER GUARD | 44 | 0.22μF CAPACITOR |
| 19 | HOLDER FOR SAW ARM | 45 | SWITCH |
| 20 | ROLLER | 46 | SPEED REGULATOR |
| 21 | BIG GEARING | 47 | METAL BALL |
| 22 | FIXING SPRING | 48 | SPRING |
| 23 | WASHER | 49 | PENDULUM SWITCH |
| 24 | CONNECTING PLATE | 888 | HOUSING ASSEMBLE |
| 25 | NEEDLE ROLLER BEARING | | |

BM20120926-01