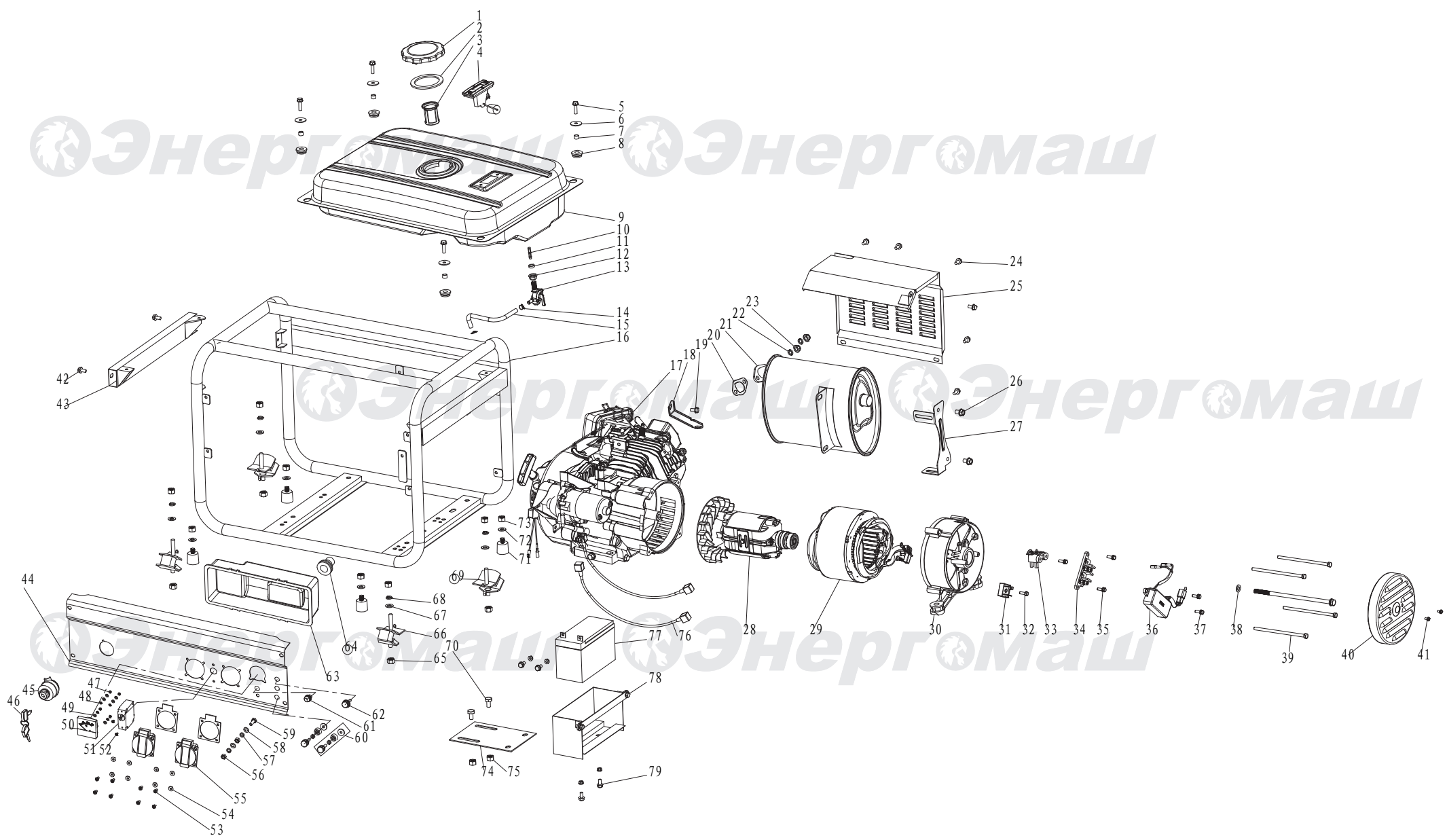


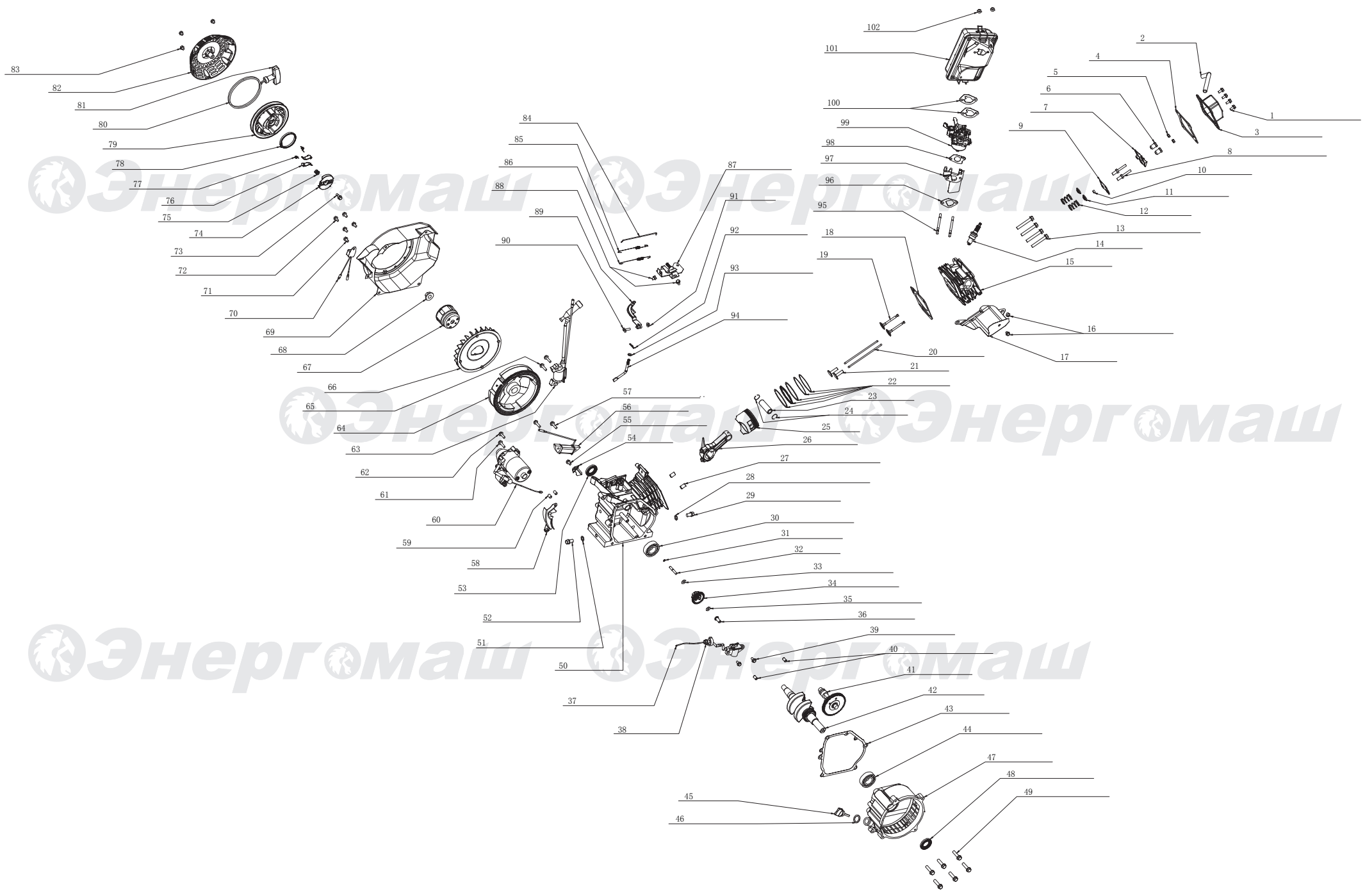
Энергомаш Энергомаш



## ЭГ-87128Э

NO.	DESCRIPTION	NO.	DESCRIPTION
1	FUEL TANK CAP	41	HEX. FLANGE BOLT
2	FUEL TANK SEAL	42	HEX. FLANGE BOLT
3	FILTER SCREEN	43	COLLAPSIBLE BEAM
4	FUEL GAUGE (INDICATOR)	44	PANEL
5	HEX. FLANGE BOLT	45	ELECTRIC STARTING SWITCH
6	FLAT WASHER	46	ELECTRIC STARTING SWITCH KEY
7	BUSH	47	NUT
8	FUEL TANK CUSHION	48	SPRING WASHER
9	FUEL TANK	49	FLAT WASHER
10	FUEL TANK SWITCH FILTER SCREEN	50	VOLTMETER
11	FUEL TANK SWITCH SEAL	51	BREAKER
12	NUT	52	CROSS HEAD BOLT
13	FUEL TANK SWITCH ASSEMBLY	53	CROSS HEAD BOLT
14	FUEL PIPE CLAMP	54	FLAT WASHER
15	FUEL PIPE	55	EURO STYLE SOCKET
16	MOTOR BRACKET	56	NUT
17	ENGINE	57	SPRING WASHER
18	AIR FILTER BRACKET	58	FLAT WASHER
19	HEX. FLANGE BOLT	59	HEX. FLANGE BOLT
20	MUFFLER SEAL	60	TERMINAL
21	MUFFLER ASSEMBLY	61	INDICATOR LIGHT
22	SPRING WASHER	62	PROTECTOR
23	HEX. FLANGE BOLT	63	PANEL REAR COVER
24	HEX. FLANGE BOLT	64	CORD SHEATH
25	MUFFLER GUARD	65	NUT
26	HEX. FLANGE BOLT	66	SMALL CUSHION PAD
27	MUFFLER SUPPORT BRACKET	67	FLAT WASHER
28	ROTOR	68	SPRING WASHER
29	STATOR WINDING	69	BIG CUSHION PAD
30	MOTOR REAR COVER	70	BOLT
31	RECTIFIER	71	FLAME BRACKET
32	HEX. FLANGE BOLT	72	FLAT WASHER
33	CARBON BRUSH ASSEMBLY	73	NUT
34	CONNECTION BLOCK	74	BATTERY BRACKET
35	HEX. FLANGE BOLT	75	NUT
36	AVR	76	CONNECTION WIRE OF BATTERY
37	HEX. FLANGE BOLT	77	BATTERY
38	FLAT WASHER	78	BATTERY SHIELD
39	HEX. FLANGE BOLT	79	BOLT
40	BACK COVER	80	FLAME STAND

EN20130701



## ЭЛЕКТРОДВИГАТЕЛЬ ДЛЯ ЭГ-87128Э

NO.	DESCRIPTION	NO.	DESCRIPTION
1	HEX. FLANGE BOLT	52	OIL DRAIN BOLT
2	RIGHT-ANGLE WASTE PIPE	53	OIL SEAL
3	CYLINDER HEAD COMP	54	PRESSURE BOARD
4	CYLINDER HEAD SEAL	55	HEX. FLANGE BOLT
5	VALVE CLEARANCE ADJUSTING NUT	56	CHARGE COIL ASSY
6	VALVE ARM NUT	57	HEX. FLANGE BOLT
7	VALVE ARM	58	FLY WHEEL GUARD
8	BOLT	59	MOTOR ASSY POSITION PIN
9	LEVER BRACKET	60	MOTOR ASSY
10	VALVE HEAD CAP	61	HEX. FLANGE BOLT
11	VALVE SPRING BASE	62	HEX. FLANGE BOLT
12	VALVE SPRING	63	IGNITION COIL ASSY
13	BOLT	64	FLY WHEEL WITH GEAR
14	SPARK PLUG	65	HEX. FLANGE BOLT
15	CYLINDER HEAD	66	FAN
16	HEX. FLANGE BOLT	67	START COVER
17	DOWN WINDING GUARD	68	NUT
18	CYLINDER HEAD SEAL GASKET	69	FAN COVER
19	INTAKE AND EXHAUST VALVE	70	ONE-WAY CONDUCTOR ASSY
20	LEVER ASSEMBLY	71	HEX. FLANGE BOLT
21	LITER	72	HEX. FLANGE BOLT
22	PISTON RING ASSY	73	PRESSURE BOARD SCREW
23	PISTON PIN	74	PRESSURE BOARD
24	PISTON PIN CIRCLIP	75	PRESSURE BOARD SPRING
25	PISTON	76	RATCHET
26	CONNECTION ROD ASSY	77	RATCHET SPRING
27	VALVE HEAD POSITION PIN	78	SPRING
28	OIL DRAIN BOLT WASHER	79	RECOIL STARTER REEL
29	OIL DRAIN BOLT	80	PULLING CORD
30	DEEP GROOVE BALLING BEARING 6205	81	HANDLE
31	CIRCLIP FOR SPEED ADJUSTING SHAFT	82	REEL COVER
32	SPEED ADJUSTING SHAFT	83	HEX. FLANGE BOLT
33	WASHER	84	GOVERNOR ROD
34	SPEED GEAR ASSY	85	TRIMMING SPEED SPRING
35	WASHER	86	RESET SPRING
36	SPEED ADJUSTING SHAFT BUSH	87	GOVERNOR BASE ASSY
37	OIL SENSOR ASSY	88	HEX. FLANGE BOLT
38	NUT	89	GOVERNOR ARM
39	HEX. FLANGE BOLT	90	T-SHAPED BOLT
40	CRANKCASE POSITION PIN	91	NUT
41	CAMSHAFT ASSY	92	GOVERNOR ROD PIN CLAMP
42	CRANK ASSY	93	WASHER
43	CRANKCASE PAPER WASHER	94	GOVERNOR ROD CLAMP
44	DEEP GROOVE BALLING BEARING 6205	95	STUD BOLT
45	OIL LEVEL CAP ASSEMBLY	96	INTAKE WASHER
46	OIL LEVEL SEAL	97	CARBURETOR HEAT INSULATOR
47	CRANKCASE HIGH COVER	98	(OUT)CARBURETOR WASHER
48	OIL SEAL	99	CARBURETOR ASSEMBLY
49	HEX. FLANGE BOLT	100	(IN)CARBURETOR WASHER
50	CRANKCASE	101	AIR FILTER ASSEMBLY
51	OIL DRAIN BOLT WASHER	102	NUT

EN20130701