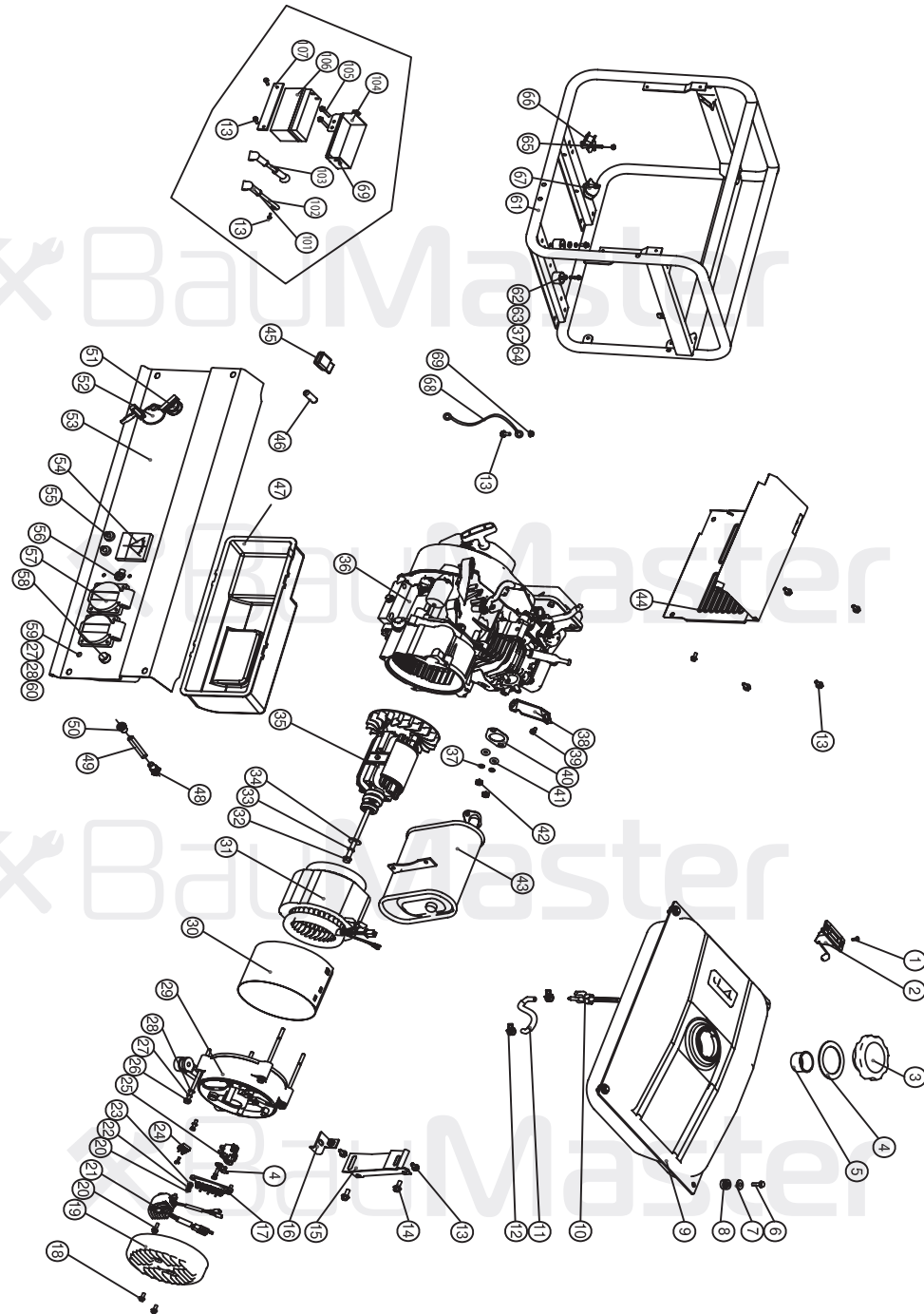


PG-8720X、PG-8725X、PG-8730X、PG-8730XE



NO.	DECRPTION	NO.	DECRPTION	NO.	DECRPTION
1	Screw M5×10	27	Spring Washer φ6	53	Control Panel
2	Fuel Meter Assy	28	Washerφ6	54	Volt Meter
3	Fuel Tank Cap	29	End Cover	55	Red positive terminal
4	Plate Pinch	30	Stator Cover		Black negative terminal
5	Fuel Filter	31	Stator Assy	56	AC CIRCUIT BREAKERS
6	Flange Bolt M6×20	32	Flange Bolt M8×208	57	AC Receptacle
7	Washer φ6.5	33	Spring Washer φ8	58	DC.10A CIRCUIT BREAKERS
8	Tank Rubber	34	Washerφ8	59	Bolt M6×22
9	Fuel Tank	35	Rotor Comp	60	Nut M6
10	Fuel Cock	36	Engine	61	FRAME
11	Fuel Line	37	Spring Washer φ8	62	straight Bottom rubber
12	Clip	38	Air Cleaner stay	63	Big washerφ8
13	Flange Bolt M6×12	39	Flange Bolt M6×8	64	Flange Bolt M8×35
14	Flange Bolt M8×20	40	Muffler Gasket	65	Nut M8
15	Muffler Stay (II)	41	Washer φ8	66	Bottom RubberI
16	Muffler Stay (I)	42	Nut M8	67	Bottom Rubber II
17	Terminal	43	Muffler	68	Earth Line
18	Flange Bolt M5×12	44	Muffler Cover	69	Nut M6
19	Generator End Cover	45	Rectifier	Below for PG-8730XE	
20	Flange Bolt M5×16	46	FUSE(10A)	101	jacket
21	AVR	47	Control Box	102	Battery black wire(-)
22	Spring Washer φ5	48	Build Up	103	Battery red wire(+)
23	Washerφ5	49	Conduit	104	Battery support
24	Diode assy	50	build up	105	Flange bolt M8×40
25	Brush Assy	51	CIRCUIT BREAKERS	106	Battery
26	Flange Bolt M6×133	52	switch	107	Battery setting palte

Engine for PG-8720X, PG-8725X, PG-8730X, PG-8730XE

No.	DESCRIPTION	No.	DESCRIPTION	No.	DESCRIPTION
1	THROTTLE RETURN SPRING	41	GOVERNOR SHAFT WASHER	81	PUSH ROD
2	GOVERNOR SPRING	42	GOVERNOR COVER	82	KEY
3	GOVERNOR ARM	43	CRANKSHAFT COMP	83	MUFFLER GASKET
4	NUT M6	44	CASE OVER GASKET	84	STUD BOLT
5	LOCK PIN	45	OIL FILLER CAP ASSEMBLY	85	SHROUD COMP
6	GOVERNOR ARM SHAFT	46	OIL FILLER CAP GASKET	86	FIRST RING SET
7	GOVERNOR ROD	47	CRANKCASE COVER		SECOND RING SET
8	FLANGE BOLT M6X12	48	FLANGE BOLT M8X28		RING COMP
9	GOVERNOR ARM BOLT	49	FLANGE BOLT M6X8	87	PISTON
10	CONTROL ASSEMBLY	50	FLANGE BOLT M6X25	88	PISTON PIN CLIP
11	GOVERNOR WASHER	51	IGNITOR	89	PISTON PIN
12	RECOIL STARTER KNOB	52	DOWEL PIN 10*16	90	CONNECTING ROD COMP
13	RECOIL STARTER COMP	53	FLANGE BOLT 8*55	91	OIL FILLER CAP
14	RECOIL STARTER SPRING	54	CARBURETOR WASHER	92	AIR CLEANER COVER
15	RECOIL STARTER ROPE	55	CHOKE LEVEL COMP	93	AIR CLEANER ELEMENT
16	RECOIL STARTER REEL	56	CARBURETOR ASSEMBLY	94	AIR CLEANER GRID
17	RETURN SPRING	57	CARBURETOR GASKET	95	AIR CLEANER BRACKET
18	STARTER RATCHET	58	CARBURETOR INSULATOR	96	AIR CLEANER BACK PLATE
19	RATCHET GUIDE	59	INSULATOR GASKET		BELOW FOR PG-8730XE
20	SETTING SCREW	60	STUD BOLT 6*113	101	FAN COVER COMP
21	SWITCH	61	BREATHER TUBE	102	FLY WHEEL
22	FAN COVER COMP	62	HEAD OVER COMP	103	FLANGE BOLT M6*10
23	NUT M14	63	HEAD OVER GASKET	104	ELECTRIFG COIL
24	START HUB	64	VALVE ROTATOR	105	WIRE FLAT
25	COOLING FAN	65	INTAKE VALVE SPRING RETAINER	106	SIDE PLACE
26	FLY WHEEL	66	EXHAUST VALVE SPRING RETAINER	107	RELAY
27	SIDE PLACE	67	VALVE SPRING	108	START MOTOR
28	OIL SEAL	68	SPARK PLUG		
29	DIODE BASE COMP	69	CYLINDER HEAD COMP		
30	DIODE COMP	70	CYLINDER HEAD GASKET		
31	DRAIN PLUG BOLT	71	INTAKE VALVE		
32	DRAIN BOLT WASHER	72	EXHAUST VALVE		
33	CRANKCASE	73	VALVE LIFTER		
34	RADIAL BALL BEARING 6205	74	CAMSHAFT ASSEMBLY		
35	OIL LEVEL SWITCH ASSY	75	DOWEL PIN 8*14		
36	GOVERNOR WEIGHT HOLDER	76	PIVOT ADJUSTING NUT		
37	GOVERNOR WEIGHT PIN	77	ROCKER ARM PIVOT		
38	GOVERNOR SHAFT	78	VALVE ROCKER ARM		
39	GOVERNOR HOLDER CLIP	79	PIVOT BOLT		
40	GOVERNOR WEIGHT	80	PUSH ROD GUIDE PLATE		

