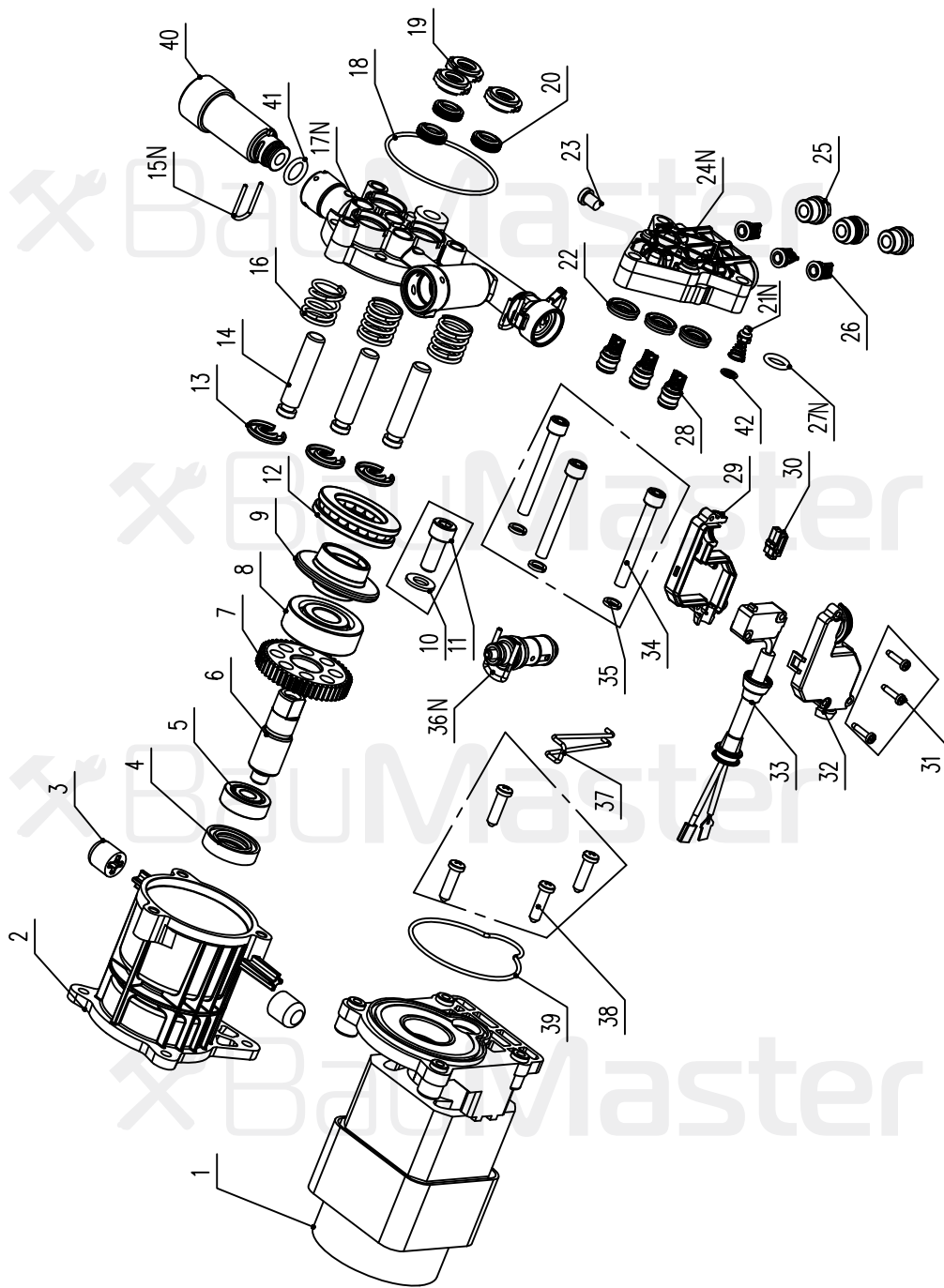


PW-9214BE

NO.	DESCRIPTION	NO.	DESCRIPTION
1	DECORATIVE STRIP	16	CABLE HOOK
2	FRONT COVER	17	UPPER MOTOR COVER
3	GUN HOLDER	18	CABLE COMPONENT
4	HANDLE	19	SWITCH
5	HANDLE COVER	20	MOTOR JUNCTION BOX CAP
6	WHEEL	21	ON/OFF SWITCH KNOB
7	SCREW 4.8X20	22	SCREW 2.9X13
8	SPRAY GUN LEFT FIXED SHELF	23	SWITCH TRANSMISSION AXLE
9	SPRAY GUN RIGHT FIXED SHELF	24	CAPACITOR
10	WATER INLET QUICK CONNECTOR	25	WATER OUTLET LOCK BUTTON
11	BACK COVER	26	SPRAY GUN
12	WHEEL GASKET	27	TRIGGER GUN
13	WHEEL CAP	28	HIGH PRESSURE HOSE
14	BOTTOM MOTOR COVER		
15	MOTOR & PUMP SET		

UK-BM20200604



MOTOR AND PUMP FOR PW-9214BE

NO.	DESCRIPTION	NO.	DESCRIPTION
1	BRUSH MOTOR	22	WATER SEAL
2	CONNECTING SEAT	23	SCREW M6*8
3	RUBBER MAT	24N	PUMP HEAD
4	OIL SEAL	25	PLUG COMPONENT
5	BEARING 629ZZ	26	WATER OUTLET ONE-WAY VALVE COMPONENT
6	GEAR SHAFT	27N	O-RING
7	GEAR	28	WATER INLET ONE-WAY VALVE COMPONENT
8	BEARING 6302	29	SWITCH BOX LOWER COVER
9	BEARING SEAT	30	PUSH ROD
10	SPRING WASHERS Ø8	31	SCREW ST2.9*13
11	SCREW M8*20	32	SWITCH BOX TOP COVER
12	BALL BEARING 51106	33	SWITCH COMPONENT
13	PISTON CLIP	34	SCREW M6*55
14	PISTON	35	SPRING WASHERS Ø6
15N	PIN	36N	OVERFLOW VALVE COMPONENT
16	PISTON SPRING	37	PIN
17N	PUMP	38	SCREW ST5.5*20
18	O-RING	39	O-RING
19	MIDDLE RING	40	Water Inlet
20	OIL SEAL	41	O-Ring
21N	ONE-WAY VALVE COMPONENT	42	Tower spring seat

UK-BM20200604