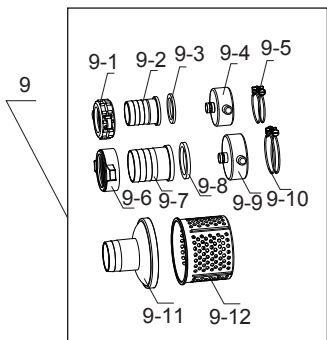
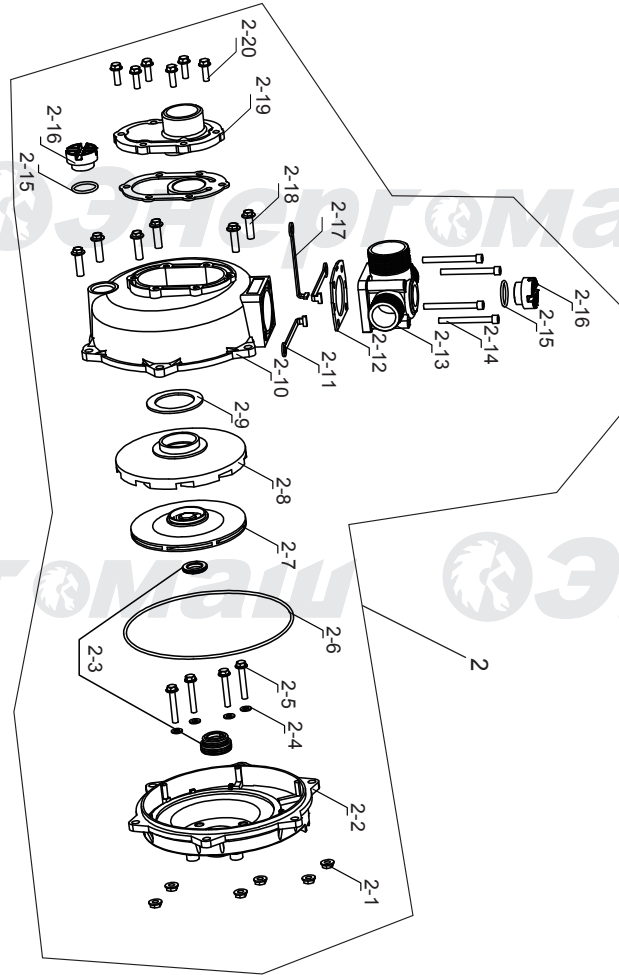
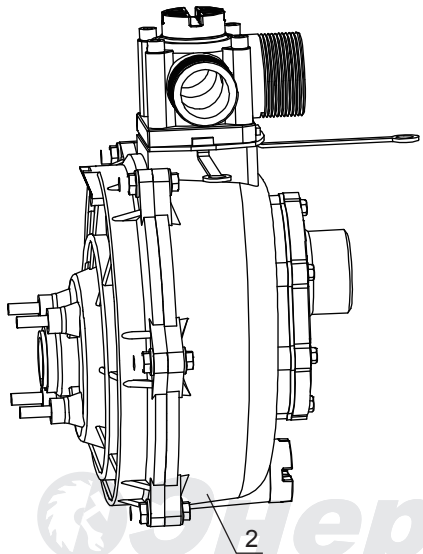


## BP-8760ВД



NO.	DESCRIPTION	NO.	DESCRIPTION
1	ENGINE	2-20	BOLT
2	PUMP	3	BRACKET
2-1	NUT	4	NUT
2-2	PUMP COVER	5	FLAT WASHER
2-3	MECHANICAL SEAL ASSEMBLY	6	SPRING WASHER
2-4	WASHER	7	RUBBER FOOT
2-5	BOLT WITH FLANGE	8	BOLT
2-6	O-RING	9	ACCESSORIES KITS
2-7	IMPELLER	9-1	HOSE WRENCH
2-8	WORN WHEEL CASE	9-2	HOSE JOINT
2-9	O-RING	9-3	SEALING RING
2-10	PUMP BODY	9-4	LID WRENCH
2-11	HOLDER	9-5	CLAMP
2-12	WASHER	9-6	SPANNER
2-13	WATER OUTLET	9-7	HOSE JOINT
2-14	BOLT	9-8	SEALING RING
2-15	O-RING	9-9	LID WRENCH
2-16	KNOB	9-10	CLAMP
2-17	BOLT WITH FLANGE	9-11	LID
2-18	NOT-RETURN VALVE	9-12	STRAINER
2-19	WATER INLET		



## БЕНЗОДВИГАТЕЛЬ ДЛЯ ВР-8760ВД

NO.	DESCRIPTION	NO.	DESCRIPTION	NO.	DESCRIPTION
1	BOLT	40	WASHER	79	SPRING
2	VENT-PIPE	41	BUSH	80	SPRING
3	CYLINDER HEAD ASSEMBLY	42	NUT	81	PULL PLATE
4	SEALING	43	OIL SENSOR ASSEMBLY	82	PULL WIRE
5	NUT	44	BOLT	83	HANDLE
6	NUT	45	FIXED PIN	84	STARTER COVER
7	VALVE ARM	46	WOODRUFF KEY	85	BOLT
8	BOLT	47	CAMSHAFT ASSEMBLY	86	FUEL TANK CAP
9	BRACKET OF PULL ROD	48	CRANKSHAFT ASSEMBLY	87	SEALING RING
10	VALVE CAP	49	FLAT KEY	88	STEEL BUSH
11	SPRING SEAT	50	PAPER GASKET	89	FILTER
12	SPRING	51	BEARING 6205	90	FUEL TUBE
13	SEALING	52	SEALING RING	91	FUEL NUZZLE
14	BOLT	53	OIL GAUGE	92	BOLT
15	SPARK PLUG	54	CRANKSHAFT CASE BUTTON	93	FUEL TANK
16	CYLINDER	55	SEALING	94	NUT
17	NUT	56	BOLT	95	SPEED ADJUSTMENT PULL ROD
18	MUFFLER	57	CRANKSHAFT CASE	96	SPRING
19	WASHER	58	WASHER	97	RETURN SPRING
20	BOLT	59	BOLT	98	SPEED ADJUSTMENT BASE ASSEMBLY
21	BOLT	60	FLYWHEEL GUARD	99	BOLT
22	WIND FENDER	61	CLIP	100	SPEED ADJUSTMENT ARM
23	SEALING GASKET	62	ONE-WAY CONNECTOR	101	NUT
24	VALVE	63	BOLT	102	BOLT
25	PULL ROD	64	BOLT	103	PIN
26	PIN	65	SEALING	104	WASHER
27	PISTON ASSEMBLY	66	IGNITION COIL	105	ROD
28	PISTON PIN	67	FLYWHEEL	106	BOLT
29	CIRCLIP	68	BOLT	107	WASHER
30	PISTON	69	FAN	108	HEAT INSULATION PART
31	CONNECT ROD	70	STARTER BUSH	109	WASHER
32	FIXED PIN	71	NUT	110	CARBURETOR
33	WASHER	72	FAN COVER	111	WASHER
34	BOLT	73	TURN OFF SWITCH	112	WASHER
35	BEARING 6205	74	BOLT	113	NUT
36	CIRCLIP	75	SCREW	114	BOLT
37	SPEED ADJUSTMENT SHAFT	76	CLAMP	115	AIR FILTER ASSEMBLY
38	WASHER	77	SPRING	116	NUT
39	GEAR	78	PAWL		