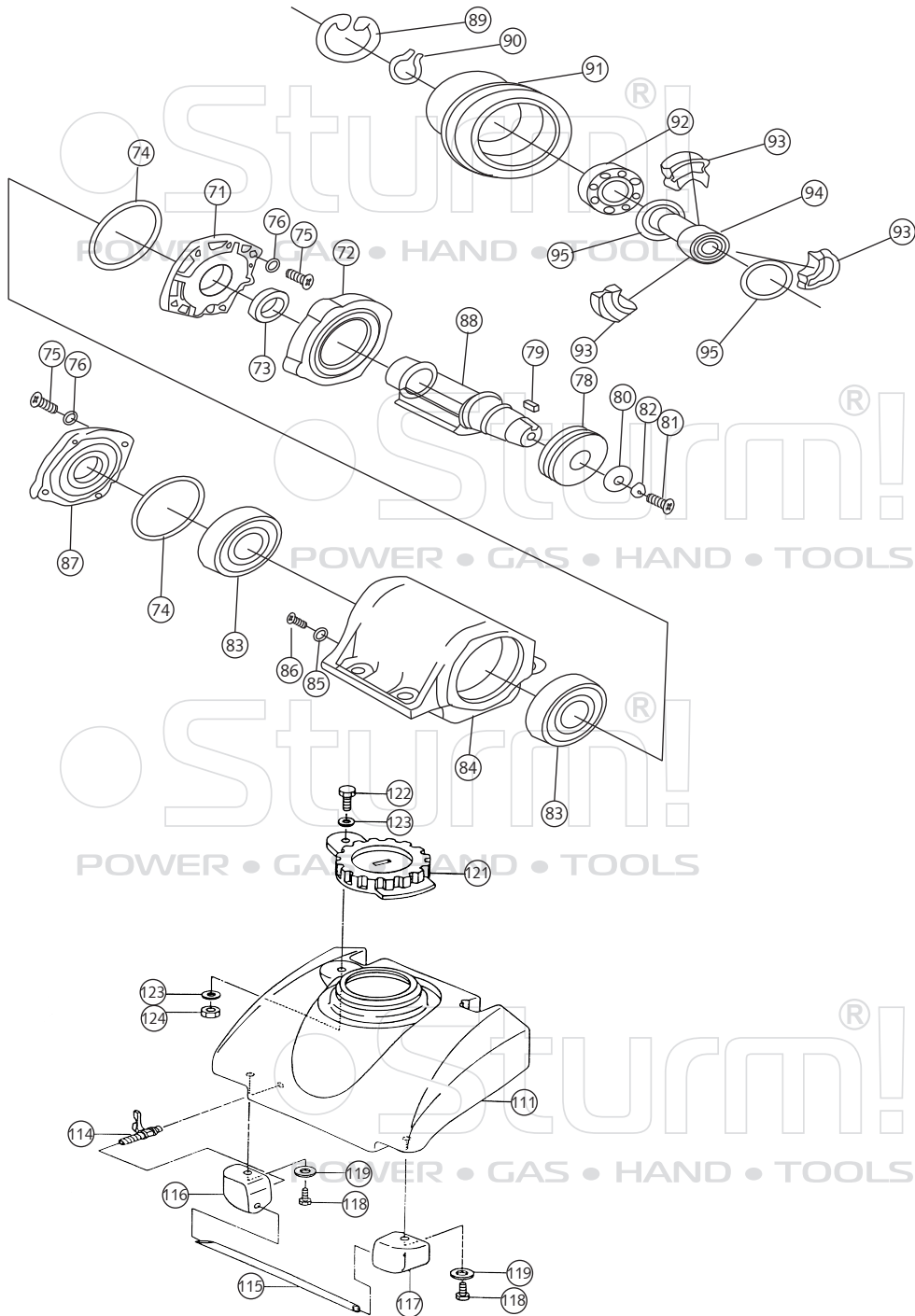


PC8808

NO.	DESCRIPTION	NO.	DESCRIPTION
1	BASE PLATE	37	BOLT M8X20
2	VIBRATOR ASSY	40	INSIDE BELT COVER FOR DIESEL ENGINE
3	VIBRATION ABSORBER		INSIDE BELT COVER FOR PETROL ENGINE
4	NUT M10-GB6184	41	V-BELT FOR DIESEL ENGINE
5	SPRING WASHER 10-GB93		V-BELT FOR PETROL ENGINE
6	FLAT WASHER 10-GB95	42	CLUTCH PULLEY WASHER
7	SPRING WASHER 10-GB93	43	CLUTCH PULLEY ASSEMBLY
8	BOLT M10X30-GB5781	44	FLAT WASHER
9	ENGINE MOUNTING PLATE	45	SPRING WASHER
10	DIESEL ENGINE NUT M8	46	BOLT M8X25
	PETROL ENGINE NUT M8	47	BELT COVER FOR DIESEL ENGINE
11	ENGINE NUT M8		BELT COVER FOR PETROL ENGINE
12	FLAT WASHER 8-GB95	48	FLAT WASHER
13	LOCK NUT M8-GB6184	49	SPRING WASHER
14	RUBBER PLATE	50	BOLT M8X40
15	FIX STRIP	52	GUARD HOOK
16	FLAT WASHER 10-GB95	53	RUBBER COLLAR
17	SPRING WASHER 10-GB93	54	CIRCLIP
18	BOLT M10X45-GB5780	55	BOLT M10X30
19	FLAT WASHER 16-GB95	56	SPRING WASHER
20	SPRING WASHER 16-GB93	57	FLAT WASHER
21	BOLT M16X40-GB5781	58	RUBBER CLIP
22	ENGINE	59	BOLT M6X30
23	BOLT M8X50-GB5781	60	FLAT WASHER
24	SPRING WASHER 8-GB93	61	LOCK NUT M6
25	FLAT WASHER 8-GB95	62	STEEL COLLAR
26	WHEEL STAND	63	RUBBER COLLAR
27	WHEEL	64	FLAT WASHER
28	FLAT WASHER 8-GB95	65	SPRING WASHER
29	SPRING WASHER 8-GB93	66	BOLT M12X65
30	BOLT M8X25-GB5781	67	HANDLE
31	BOLT M8X30-GB5781	68	RUBBER MOUNT
32	SPRING WASHER 8-GB93	69	THROTTLE CONTROL LEVEL
33	SLEEVE	70	THROTTLE CONTROL CABLE
34	BOLT M8X25-GB5781	71	THROTTLE CONTROL WIRE
35	SPRING WASHER 8-GB95		
36	FLAT WASHER		

ST20120531-1



PC8808 VIBRATOR

NO.	DESCRIPTION	NO.	DESCRIPTION
71	CASE COVER (L)	85	PACKING PIECE
72	PROTECTIVE COVER	86	PLUG SCREW M14X1.5
73	OIL SEAL	87	CASE COVER (R)
74	O-RING	88	ECCENTRIC ROTATOR
75	BOLT M8X25	89	CIRCLIP INT
76	SPRING WASHER	90	CIRCLIP EXT
77	FLAT WASHER	91	DRUM
78	PULLEY	92	BEARING
79	KEY	93	CENTRIFUGAL LUMP
80	PULLEY WASHER	94	CLUTCH CENTRE FOR DIESEL
81	BOLT M10X25		CLUTCH CENTRE FOR PETROL
82	SPRING WASHER	95	CLUTCH SPRING
83	BEARING		
84	VIBRATING CASE		

PC8808 WATER TANK

NO.	DESCRIPTION	NO.	DESCRIPTION
111	WATER TANK	119	WASHER
114	COCK	121	CAP WATER TANK
115	SPRING PIPE	122	BOLT M10X30
116	PIPE HOLDER (L)	123	WASHER
117	PIPE HOLDER (R)	124	NYLON NUT M10
118	BOLT M8X30		

ST20110818