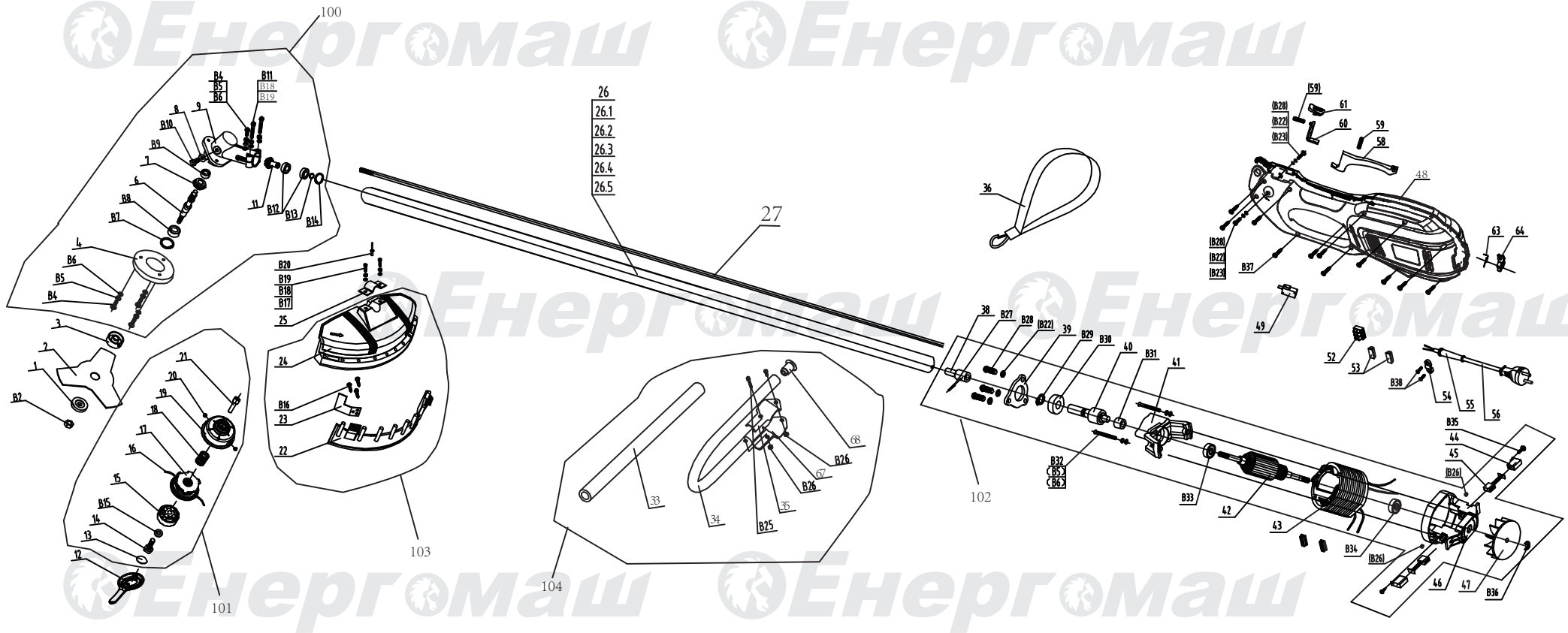


# ГК-35145Д



# ГК-35145Д

NO.	DESCRIPTION	NO.	DESCRIPTION	NO.	DESCRIPTION
1	DOWN FLANGE	36	SHOULDER STRAP	B10	BOLT M6X10
2	BLADE	38	SOFT SHAFT COUPLER	B11	SCREW M6X20
3	UPPER FLANGE	39	GEAR BOX COVER	B12	BEARING 609RS
4	FLANGE COVER	40	SMALL GEAR SHAFT	B13	CIRCLIP 10
6	SPINDLE	41	MOTOR FRONT BRACKET	B14	CIRCLIP 24
7	BIG GEAR	42	ROTOR	B15	WASHER 6
8	SEAL RING	43	STATOR	B16	SCREW ST4.2X12
9	GEAR BOX	44	CARBON BRUSH HOLDER	B17	SCREW M6X25
11	PINION SHAFT	45	CARBON BRUSH	B18	SPRING WASHER 6
12	PLASTIC SPANNER	46	MOTOR BACK BRACKET	B19	WASHER 6
13	JAM	47	FAN	B20	RIVET 4X6
14	SQUARE HEAD SCREW	48	HOUSING	B22	SPRING WASHER 4
15	SPOOL COVER	49	SWITCH	B23	WASHER 4
16	NYLON LINE	52	TERMINAL BLOCK	B25	SCREW M6X30
17	BASE OF NYLON LINE	53	RUBBER LINE	B26	NUT M6
18	SPRING	54	CABLE CLAMP	B27	PIN Ø3X18
19	BOX OF NYLON LINE	55	CABLE SLEEVE	B28	SCREW M4X12
20	BUSH	56	CABLE & PLUG	B29	CIRCLIP 10
21	HEXAGONAL SHAFT	58	SWITCH TRIGGER	B30	BEARING 6900Z
22	DOWN GUARD	59	TRIGGER SPRING	B31	NEEDLE BEARING HK0608
23	BLADE	60	SAFETY ROD	B32	SCREW M5X55
24	GUARD	61	SAFETY LOCKING BUTTON	B33	BEARING 6000Z
25	GUARD PRESS BOARD	63	TORSIONAL SPRING	B34	BEARING 608Z
26	STEEL TUBE ASSEMBLY	64	CABLE HOOK	B35	SCREW ST2.9X10
26.1	TOOL CIRCLIP	67	HANDLE DOWN CLMAP	B36	CIRCLIP 6
26.2	STEEL TUBE	68	JAM	B37	SCREW ST4.2X15
26.3	PLASTIC TUBE(1124MM)	B2	NUT M10X1.25	B38	SCREW ST4.2X15
26.4	PLASTIC TUBE B(118MM)	B4	SCREW M5X12	100	GEAR BOX ASSMEBLY
26.5	BUSH	B5	SPRING WASHER 5	101	SPOOL ASSEMBLY
27	SOFT SHAFT	B6	WASHER 5	102	MOTOR ASSEMBLY
33	SPONGE TUBE	B7	CIRCLIP 32	103	GUARD ASSEMBLY
34	HANDLE	B8	BEARING 6002RS	104	HANDLE ASSEMBLY
35	HANDLE UPPER CLMAP	B9	BEARING 6000RS		