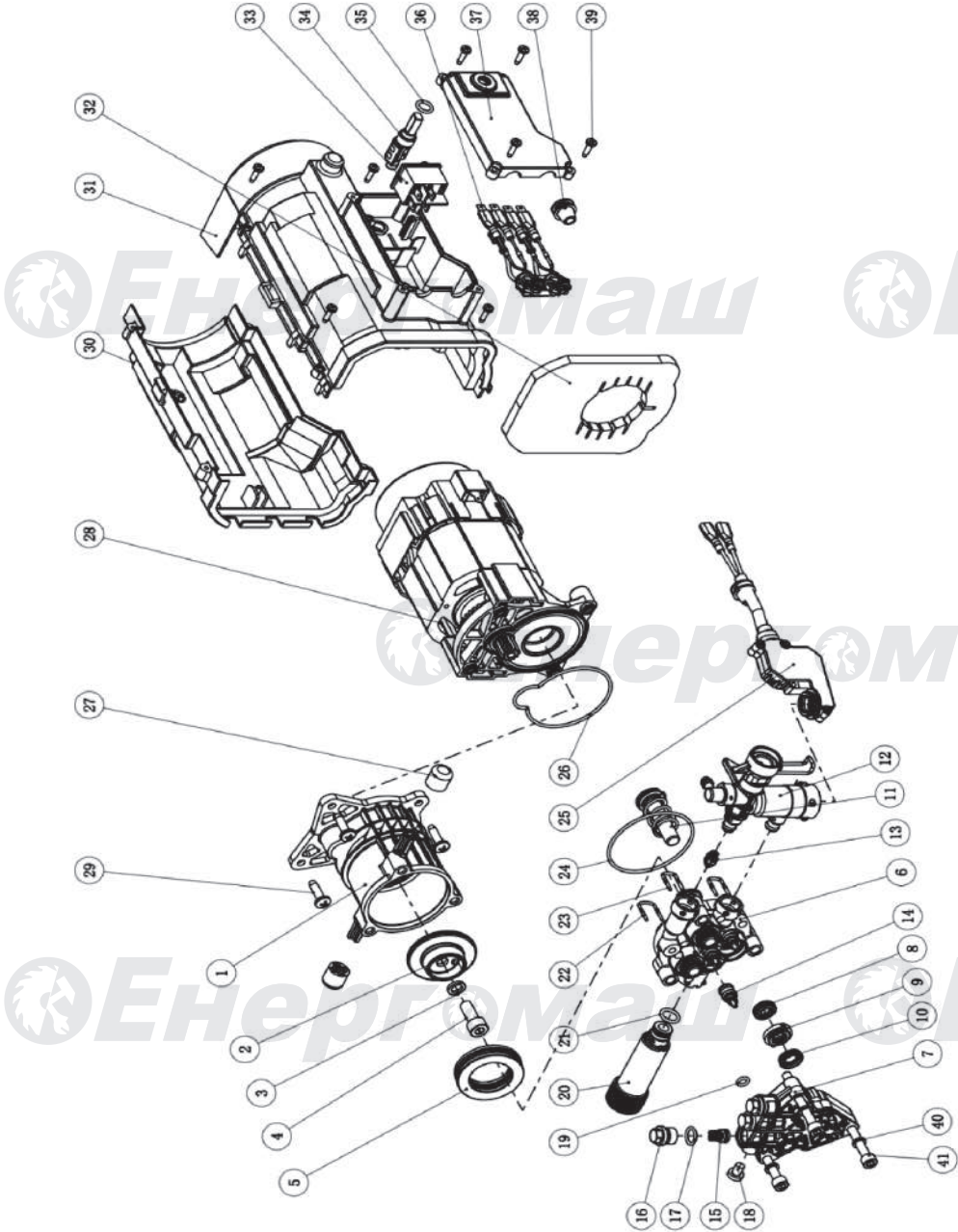


## MB-9232

NO.	DESCRIPTION
1	GUN
2	ACCESSORIES HOLD
3	CLEANING PIN
4	PRESSURE HOSE
5	WATER INLET CONNECTOR&FILTER
6	ADJUSTABLE NOZZLE
7	WHEEL COVER
8	WHEEL
9	DETERGENT TUBE
10	DETERGENT TANK CAP
11	BACK HOUSING
12	DETERGENT TANK
13	CABLE JACKET
14	CABLE PRESS PLATE
15	SCREW
16	POWER CABLE & PLUG
17	MOTOR&PUMP ASSY
18	SWITCH KNOB
19	OUTLET DECORATIVE PLATE
20	FRONT HOUSING
21	BUTTON
22	FRONT DECORATIVE PLATE
23	GUN HOLDER
24	HANDLE
25	HANDLE SLEEVE
26	HOSE HOOK
27	WARINING LABEL
28	RATING LABEL
29	SCREW
30	RUBBER O-RING

UK-EN20200221

### PUMP FOR MB-9232



NO.	DESCRIPTION
1	Oil cylinder assy
2	Swash plate
3	Gasket 8
4	Bolt M8X20
5	Bearing 51106
6	Pump body
7	Pump cover
8	Plunger oil seal 10x16x4
9	Oil seal bracket
10	Oil seal 10x16x4
11	Plunger assy
12	Outlet hose assy
13	Back pressure valve assy
14	Inlet checking valve assy
15	Outlet checking valve assy
16	Checking valve cap
17	O ring 9.5x1.8
18	Bolt M6X8
19	O ring 5.5x2.2
20	Inlet hose
21	O ring 10x2.2
22	O ring 10x2.2
23	U pin
24	O ring 58x2
25	On-off switch assy
26	Seal ring
27	Damping ring
28	Motor
29	Bolt ST5.5x20
30	Fan cover down
31	Fan cover up
32	Fan cover filter
33	Main switch
34	Switch driving lever
35	O ring 8x2
36	Capacitor assy
37	Switch cover
38	Outlet wire cover
39	Bolt ST3.5 X13F
40	Gasket 6
41	Bolt M6X55