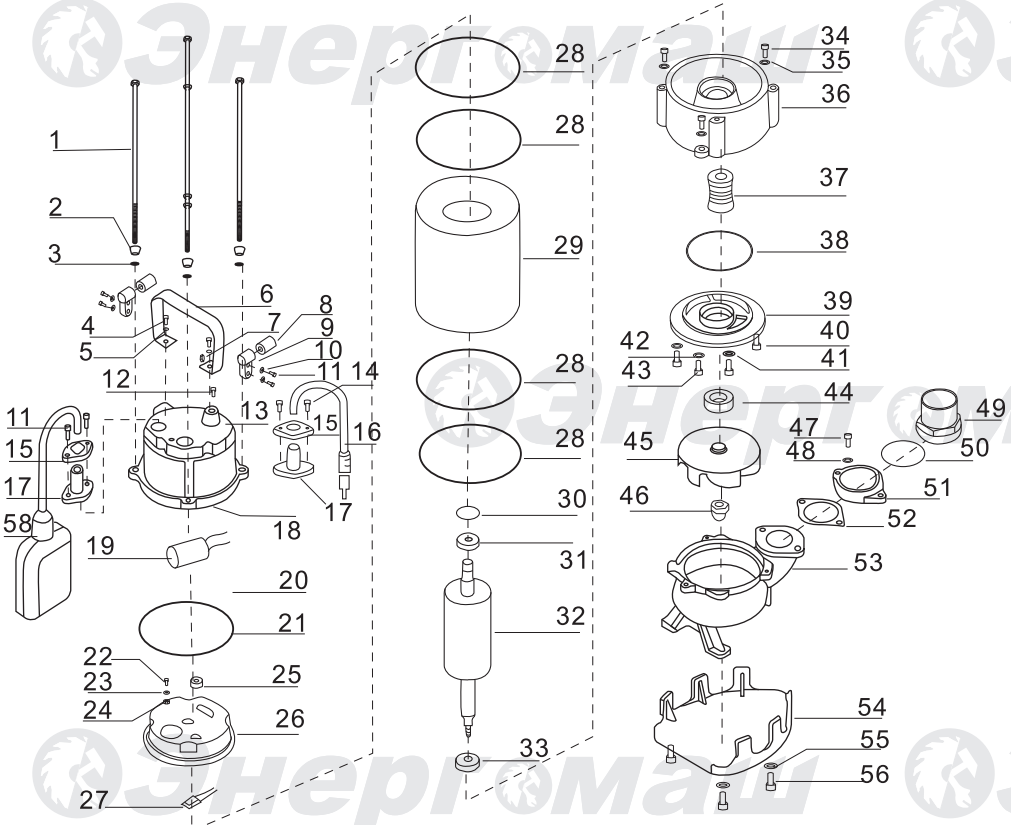


НГ-97308



NO.	DESCRIPTION	NO.	DESCRIPTION
1	BOLT	30	UNDULATED WASHER
2	STRETCHING WASHER	31	BALL BEARING
3	WASHER	32	ROTOR
4	BOLT	33	BALL BEARING
5	WASHER	34	SCREW
6	HANDLE	35	WASHER
7	NUT	36	CONNECTION PART
8	PROTECTOR	37	MECHANICAL SEAL
9	CABLE PRESSER	38	"O" RING
10	WASHER	39	OIL CHAMBER COVER
11	SCREW	40	SCREW
12	BOLT	41	WASHER
13	"O" RING	42	"O" RING
14	SCREW	43	SCREW
15	FLANGE	44	OIL SEAL
16	CABLE	45	IMPELLER
17	CABLE PROTECTOR	46	NUT
18	CAPACITOR COVER	47	BOLT
19	CAPACITOR	48	WASHER
20	"O" RING	49	OUT-LET CONNECTOR
21	RUBBER WASHER	50	"O" RING
22	SCREW	51	CONNECTION NUT
23	STRETCHING WASHER	52	RUBBER WASHER
24	WASHER	53	PUMP BODY
25	LINE PROTECTOR	54	BASE PLATE
26	MOTOR COVER	55	WASHER
27	THERMAL PROTECTOR	56	SCREW
28	"O" RING	57	KEY
29	MOTOR STATOR	58	FLOAT SWITCH