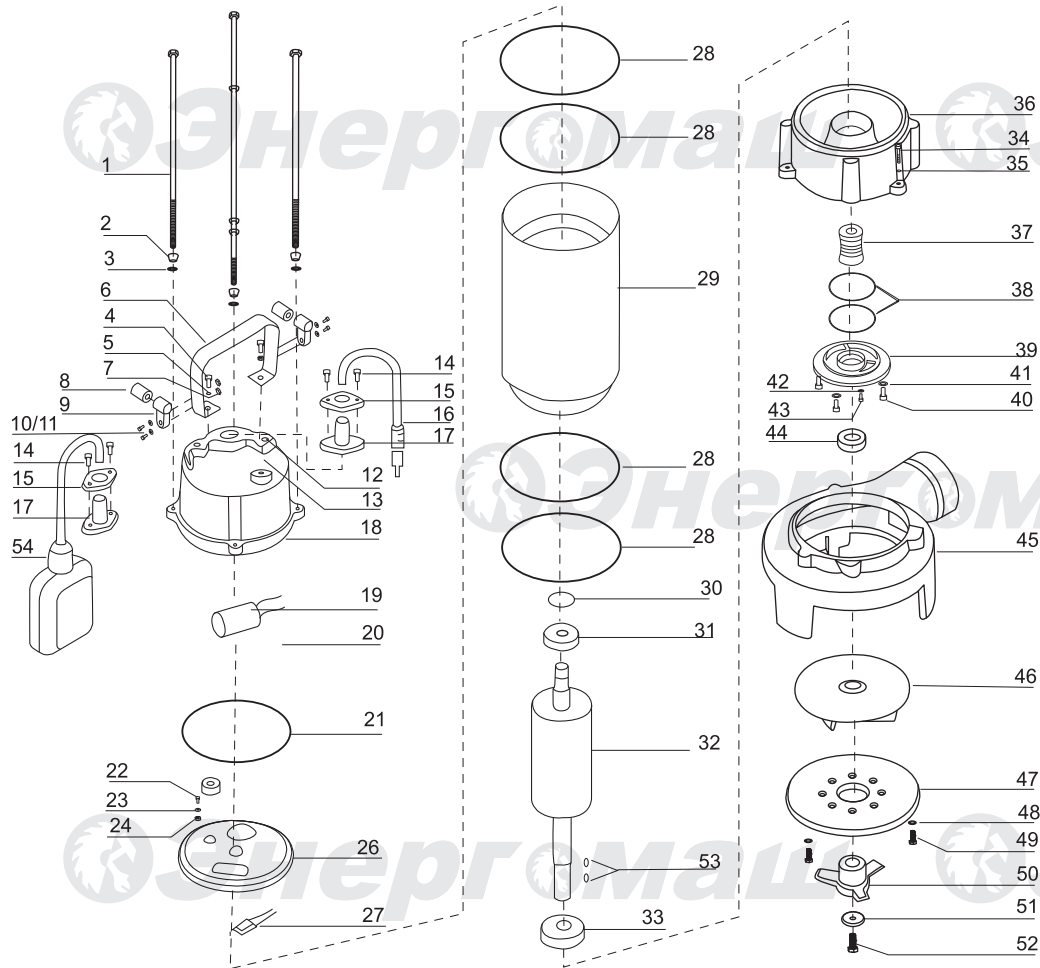


НГ-97313



NO.	DESCRIPTION	NO.	DESCRIPTION
1	BOLT	29	MOTOR STATOR
2	STRETCHING WASHER	30	UNDULATED WASHER
3	WASHER	31	BALL BEARING
4	BOLT	32	ROTOR
5	WASHER	33	BALL BEARING
6	HANDLE	34	SCREW
7	NUT	35	WASHER
8	PROTECTOR	36	CONNECTION PART
9	CABLE PRESSER	37	MECHANICAL SEAL
10	WASHER	38	"O" RING
11	SCREW	39	OIL CHAMBER COVER
12	BOLT	40	SCREW
13	"O" RING	41	WASHER
14	SCREW	42	"O" RING
15	FLANGE	43	SCREW
16	CABLE	44	OIL SEAL
17	CABLE PROTECTOR	45	PUMP BODY
18	CAPACITOR COVER	46	IMPELLER
19	CAPACITOR	47	SHREDDING RING
20	"O" RING	48	WASHER
21	RUBBER WASHER	49	BOLT
22	SCREW	50	RADIAL CUTTER
23	STRETCHING WASHER	51	WASHER
24	WASHER	52	SCREW
26	MOTOR COVER	53	KEY
27	THERMAL PROTECTOR	54	FLOAT SWITCH
28	"O" RING		

EN20131118