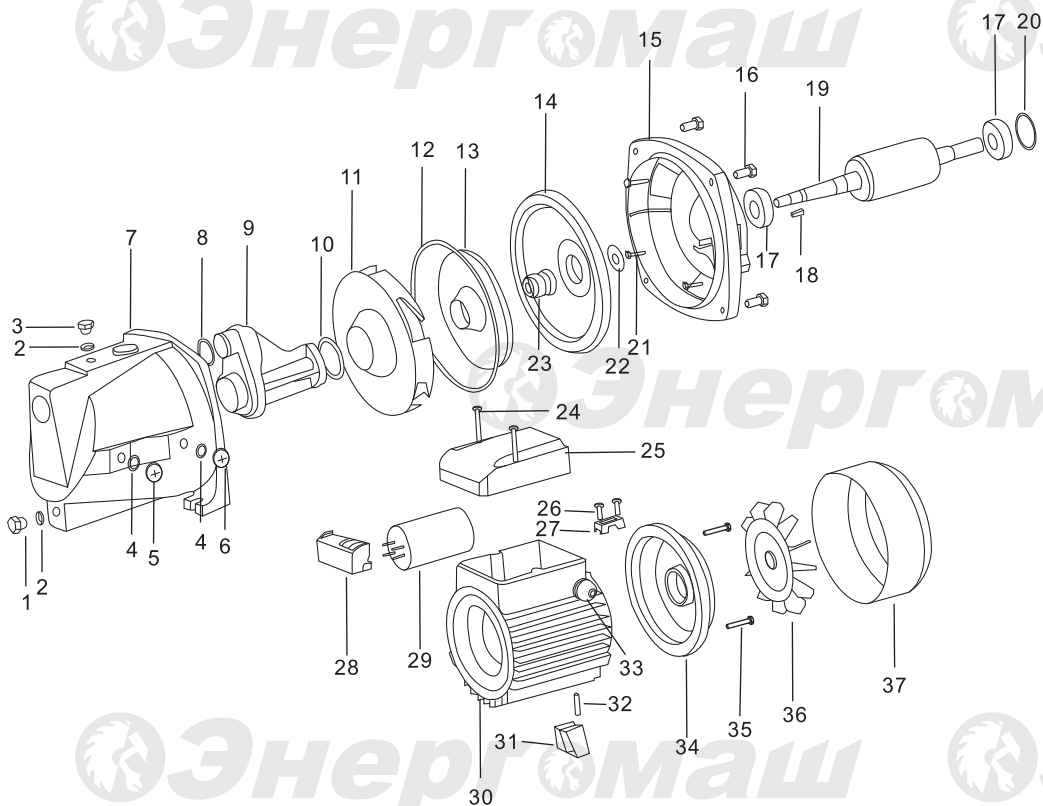


Энергомаш

Энергомаш

НГ-97508, НГ-97511, НГ-97513

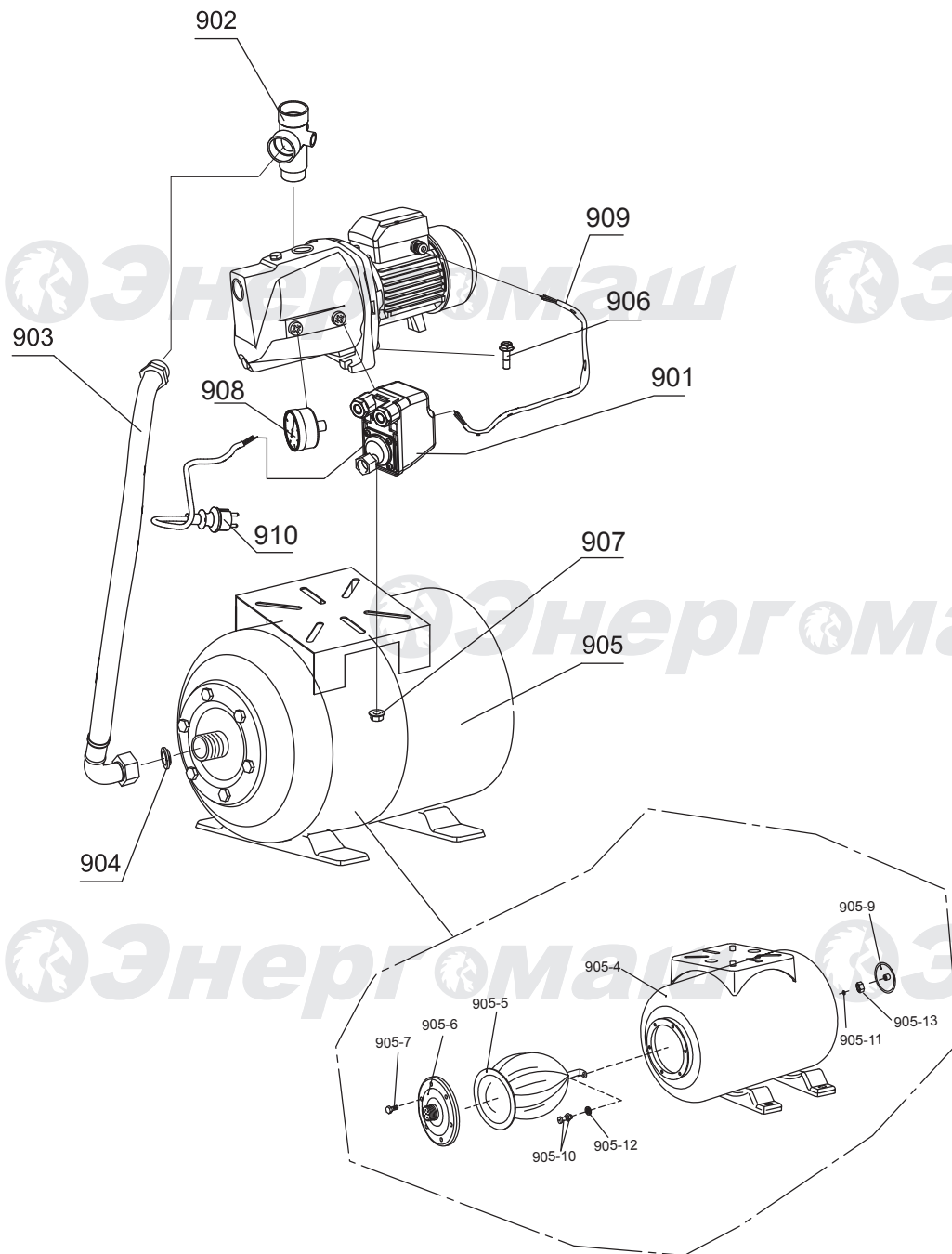


NO.	DESCRIPTION	NO.	DESCRIPTION
1	DISCHARGE PLUG	20	SPLIT RING
2	"O" RING	21	BOLT
3	CHARGE PLUG	22	DROPS GUARD
4	"O" RING	23	MECHANICAL SEAL
5	GANGE PLUG	24	BOLT
6	SWITCH PLUG	25	TERMINAL COVER
7	PUMP CASING	26	SCREW
8	"O" RING	27	CABLE PRESSER
9	VENTURI PIPE	28	TERMINAL BOARD
10	"O" RING	29	CAPACITOR
11	DIFFUSER	30	CASING WITH WOUND STATOR
12	"O" RING	31	STAND
13	IMPELLER	32	STAND PIN
14	PUMP CASING COVER	33	FAIRLEAD
15	PUMP SUPPORT	34	DRIVING CAP
16	BOLT	35	BOLT
17	BEARING	36	FAN
18	KEY	37	FAN COVER
19	ROTOR		

EN20131118

Энергомаш

Энергомаш



НГ-97508,НГ-97511,НГ-97513

NO.	DESCRIPTION
901	MECHANISM PRESSURE SWITCH
902	FIVE DIRECTION CONNECTOR
903	SOFT TUBE
904	SEALING WASHER
905	PRESSURE POT
905-4	PRESSURE POT BODY
905-5	WATER VESICLE
905-6	FLANGE
905-7	BOLT
905-9	VALVE COVER
905-10	VALVE
905-11	WASHER
905-12	PRESS PLATE
905-13	NUT
906	BOLT
907	NUT
908	PRESSURE METER
909	CORD
910	CORD&PLUG

EN20131118