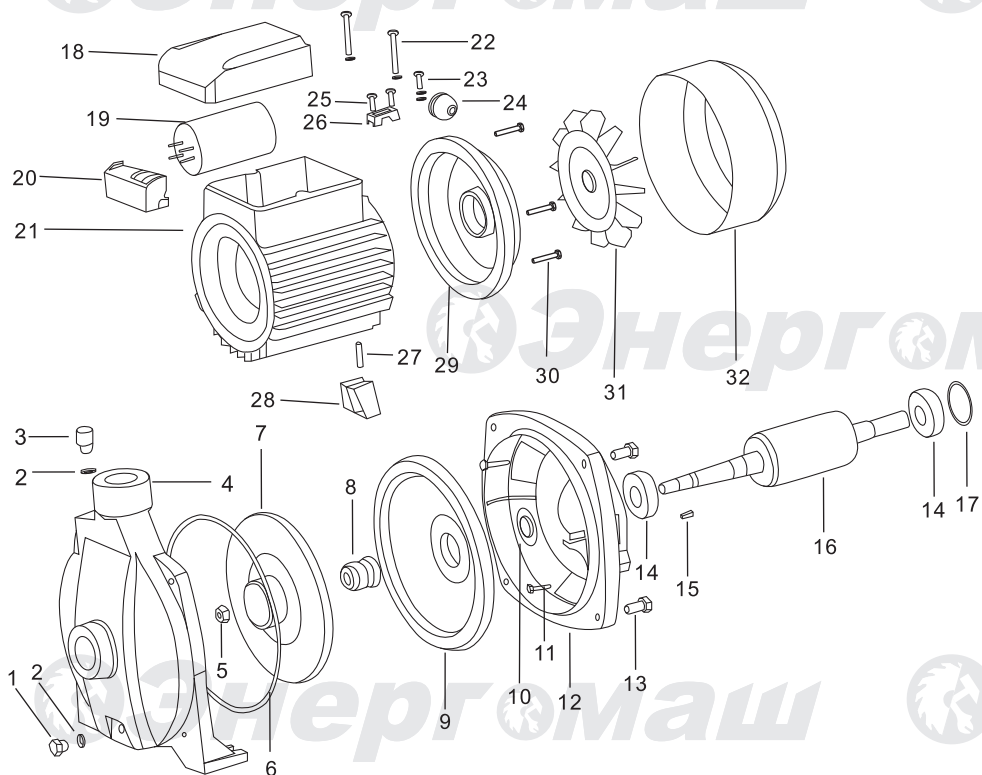


Энергомаш

Энергомаш НГ-97558



NO.	DESCRIPTION	NO.	DESCRIPTION
1	DISCHARGE PLUG	17	SPLIT RING
2	"O" RING	18	TERMINAL COVER
3	CHARGE PLUG	19	CAPACITOR
4	PUMP CASING	20	TERMINAL BOARD
5	NUT	21	CASING WITH WOUND STATOR
6	"O" RING	22	BOLT
7	IMPELLER	23	SCREW
8	MECHANICAL SEAL	24	FAIRLEAD
9	PUMP CASING COVER	25	SCREW
10	DROPS GUARD	26	CABLE PRESSER
11	BOLT	27	STAND PIN
12	PUMP SUPPORT	28	STAND
13	BOLT	29	DRIVING CAP
14	BEARING	30	BOLT
15	KEY	31	FAN
16	ROTOR	32	FAN COVER

EN20131118