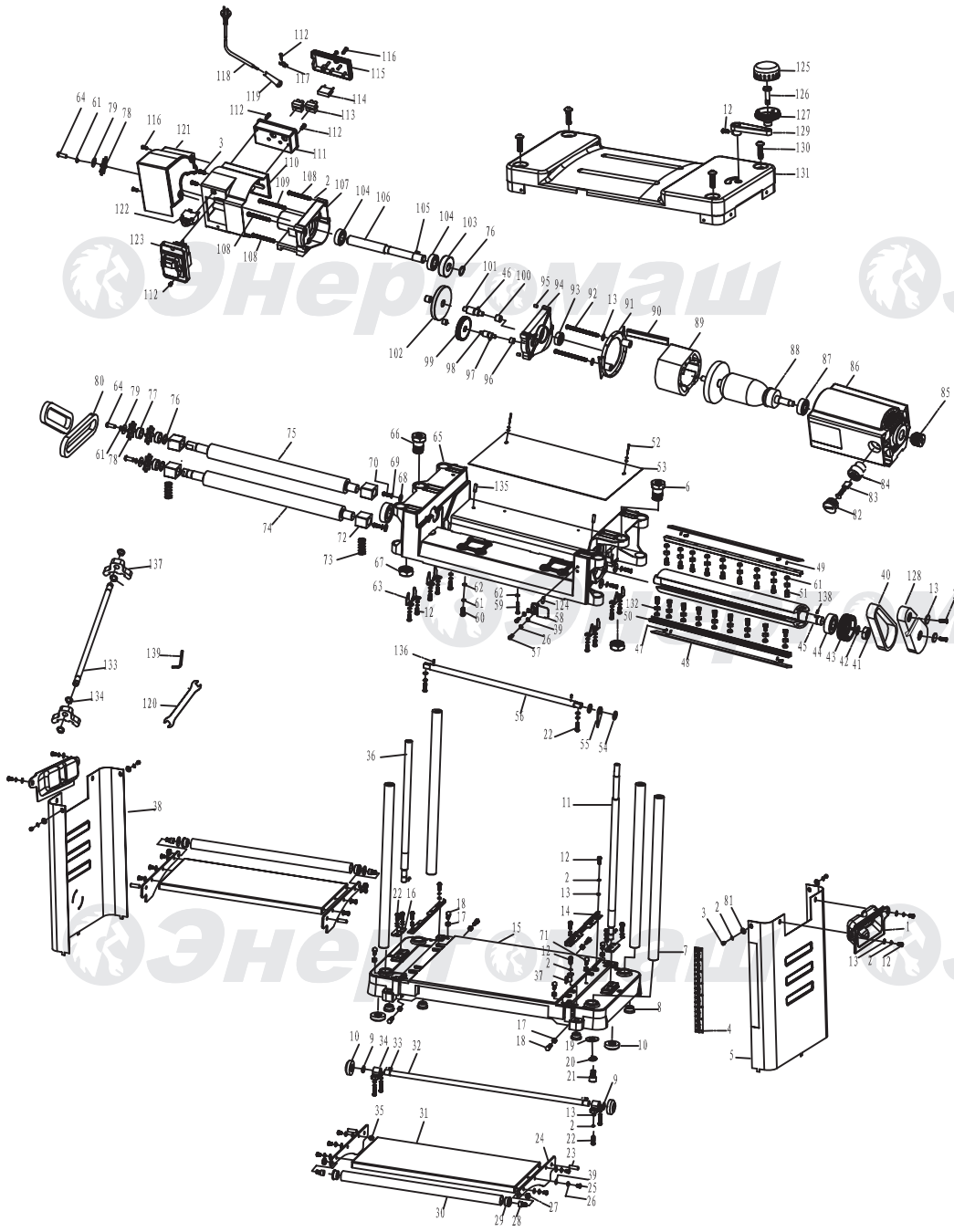


PC-14330



NO.	DESCRIPTION	NO.	DESCRIPTION	NO.	DESCRIPTION
1	HANDLE	48	KNIFE BLADE	95	LOCATION SLEEVE
2	SPRING WASHER	49	ELASTIC CYLINDRICAL PIN	96	BUSH
3	SCREW	50	PRESS PLANK	97	STEEL BALL
4	STAFF GAUGE	51	OUTER HEXAGON SCREW	98	GEAR SHAFT1
5	RIGHT BOARD COVER	52	INNER HEXAGON SCREW	99	BEVEL GEAR 1
6	SCREW (RIGHT)	53	BAFFLE	100	BUSH
7	GUIDE ROD	54	WASHER	101	GEAR SHAFT 2
8	RUBBER FEET	55	RECOIL CLAW	102	GEAR 1
9	ELASTIC CIRCLIP	56	BOUNCE-BACK AXIS	103	GEAR 2
10	BEVEL GEAR	57	SCREW	104	BEARING 6002
11	RIGHT LEAD SCREW	58	POINTER	105	WOODRUFF KEY
12	SCREW	59	SCREW	106	OUTPUT SHAFT
13	FLAT WASHER	60	SCREW	107	GEAR BOX
14	ORIENTATION PLANK	61	SPRING WASHER	108	SCREW
15	BASE PLATE	62	FLAT WASHER	109	SCREW
16	SCREW CLAMP	63	BEARING PRESS PLATE	110	BACK COVER
17	HEX NUT	64	SCREW	111	CONNECTION SEAT
18	HEXAGON BOLT	65	ENGINE BODY	112	SCREW
19	FLAT WASHER	66	NUT	113	CONNECTOR
20	SPRING WASHER	67	HEX NUT	114	CAPACITANCE
21	SCREW	68	FLAT WASHER	115	JUNCTION BOX
22	SCREW	69	WASHER	116	SCREW
23	ELASTIC CYLINDRICAL PIN	70	SCREW	117	TENSION DISC
24	SUPPORT FEET	71	HEXAGON BOLTS	118	CABLE
25	SCREW	72	SQUARE BEARING	119	CABLE SHEATH
26	SPRING WASHER	73	PRESSURE SPRING 1	120	OPEN SPANNER
27	LOCKNUT	74	IRON ROLLER	121	BACK COVER END PLATE
28	SCREW	75	RUBBER ROLLER	122	OVERCURRENT PROTECTIVE DEVICE
29	PLUG	76	ELASTIC COLLAR	123	SWITCH
30	ROLL POLE	77	ADJUSTING SLEEVE	124	POINTER WASHER
31	EXTENSION PLATE	78	CHAIN WHEEL 1	125	HANDLE COVER
32	RAIL	79	BIG FLAT WASHER	126	HANDLE SCREWS
33	WOODRUFF KEY	80	CHAIN	127	HAND SHANK
34	RAIL BEARING	81	THICK FLAT MAT	128	BELT COVER
35	HEX NUT	82	CARBON BRUSH HOLDER COVER	129	ROCKER
36	LEFT LEAD SCREW	83	CARBON BRUSH	130	SCREW
37	PRESSER PLATE	84	CARBON BRUSH HOLDER	131	UPPER COVER PLATE COMPONENTS
38	LEFT BOARD COVER	85	SMALL PULLEY	132	SQUARE NUT
39	FLAT WASHER	86	MAIN CASE	133	KNIFE GAUGE SHAFT
40	PJ RIBBED BELT	87	BEARING 6201	134	ELASTIC COLLAR
41	THIN NUT	88	ARMATURE	135	INNER HEXAGON SCREW
42	WAVE WASHER	89	STATOR	136	ELASTIC CYLINDRICAL PIN
43	BIG RUNNING WHEEL	90	WIRE JACKET	137	KNIFE GAUGE
44	BEARING 6203	91	BREAK WIND RING	138	CYLINDRICAL PIN
45	KNIFE SHAFT	92	SCREW	139	4MM ALLEN KEY
46	STEEL BALL	93	BEARING 6200		
47	PRESSURE SPRING 4	94	MIDDLE COVER		