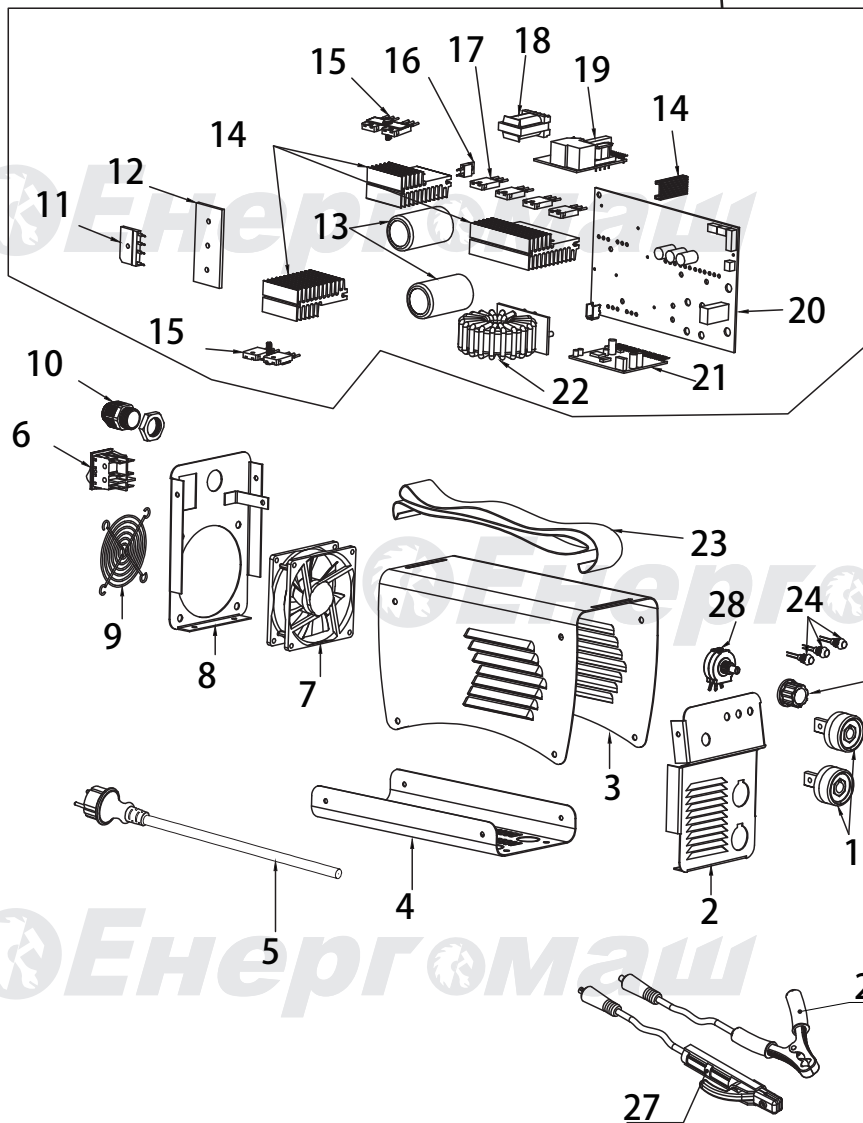


888

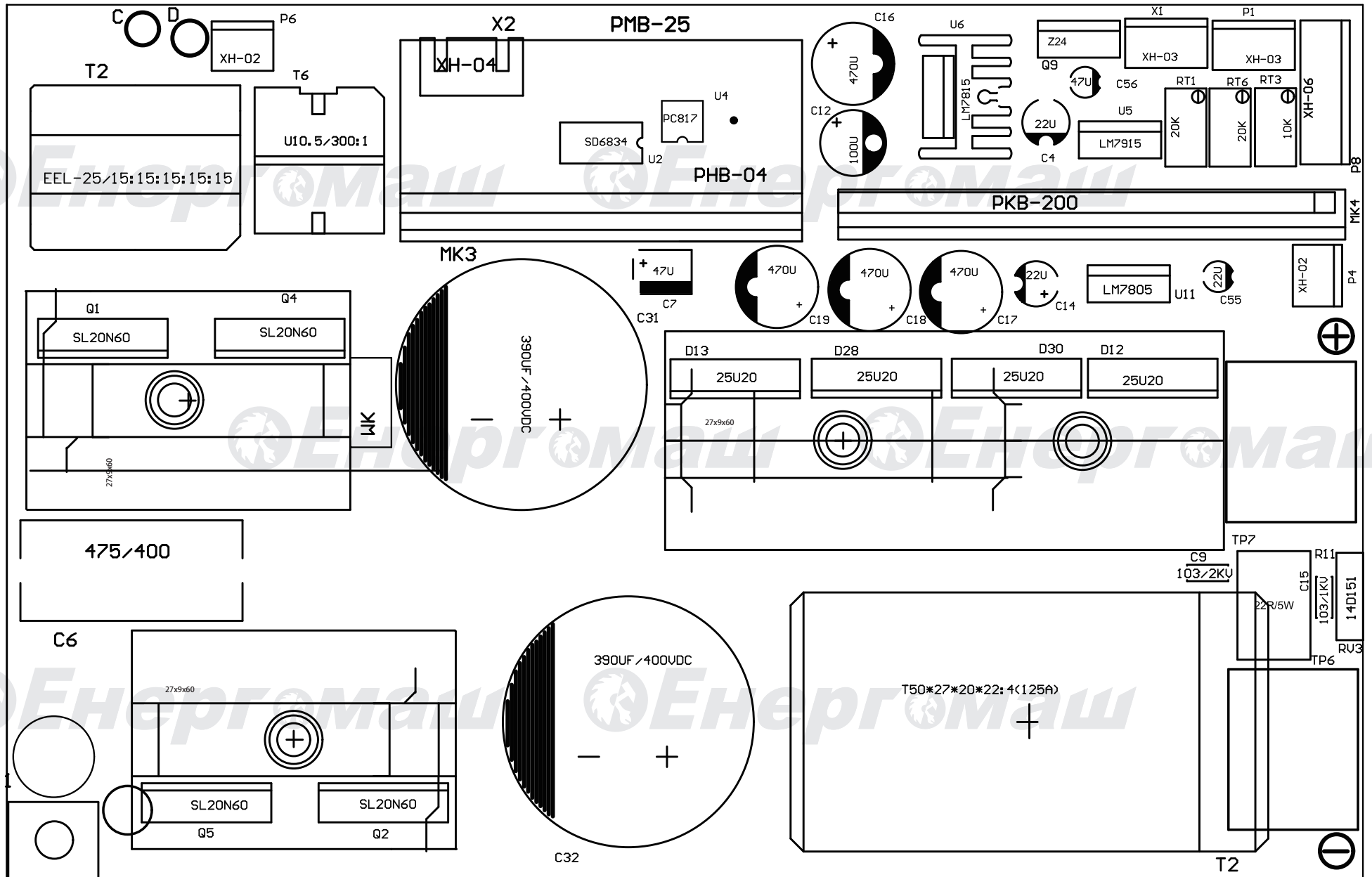


## CA-97M210,CA-97M260

| NO. | DESCRIPTION            |
|-----|------------------------|
| 1   | Europe connector       |
| 2   | Front panel            |
| 3   | Main steel cover       |
| 4   | Bottom steel cover     |
| 5   | Power cable            |
| 6   | Switch                 |
| 7   | Fan DC 24V             |
| 8   | Back of panel          |
| 9   | Metal fan Guards       |
| 10  | Power cord buckle      |
| 11  | Rectifier bridge       |
| 12  | Aluminum plant         |
| 13  | Capacitor              |
| 14  | Heat sink              |
| 15  | IGBT                   |
| 16  | Temperature controller |
| 17  | Fast recovery diode    |
| 18  | Transformer            |
| 19  | Small power board      |
| 20  | Main circuit board     |
| 21  | Control board          |
| 22  | Transformer            |
| 23  | Belt                   |
| 24  | Indicator light        |
| 25  | Knob                   |
| 26  | Earth Clamp            |
| 27  | Electrode Holder       |
| 28  | Potentiometer          |
| 888 | Main Board Assembly    |

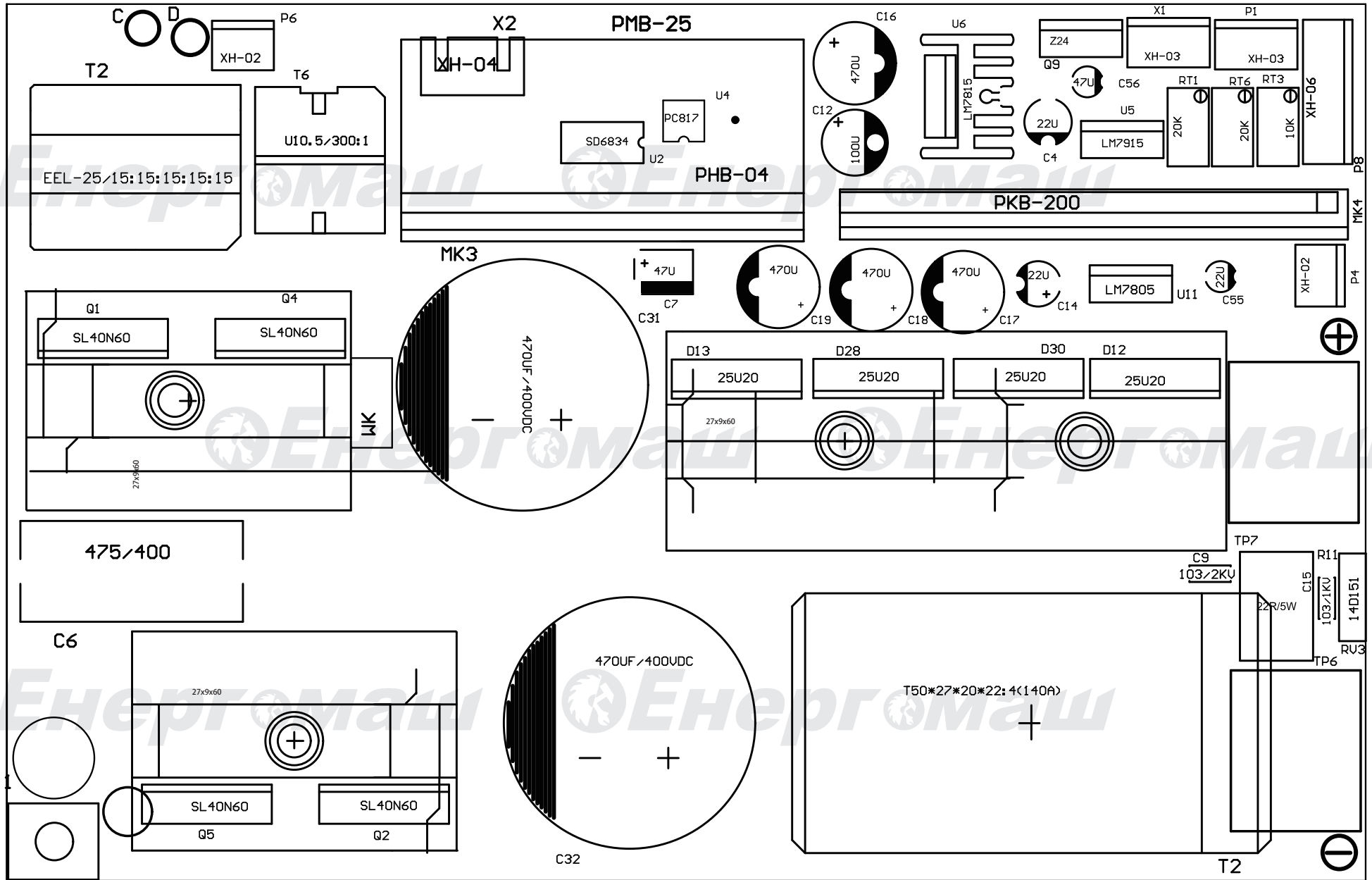
UK-EN20170410

# CA-97M210 FRONT-BOARD



String

# CA-97U260 FRONT-BOARD



String

# CA-97И210,CA-97И260 BACK-BOARD

