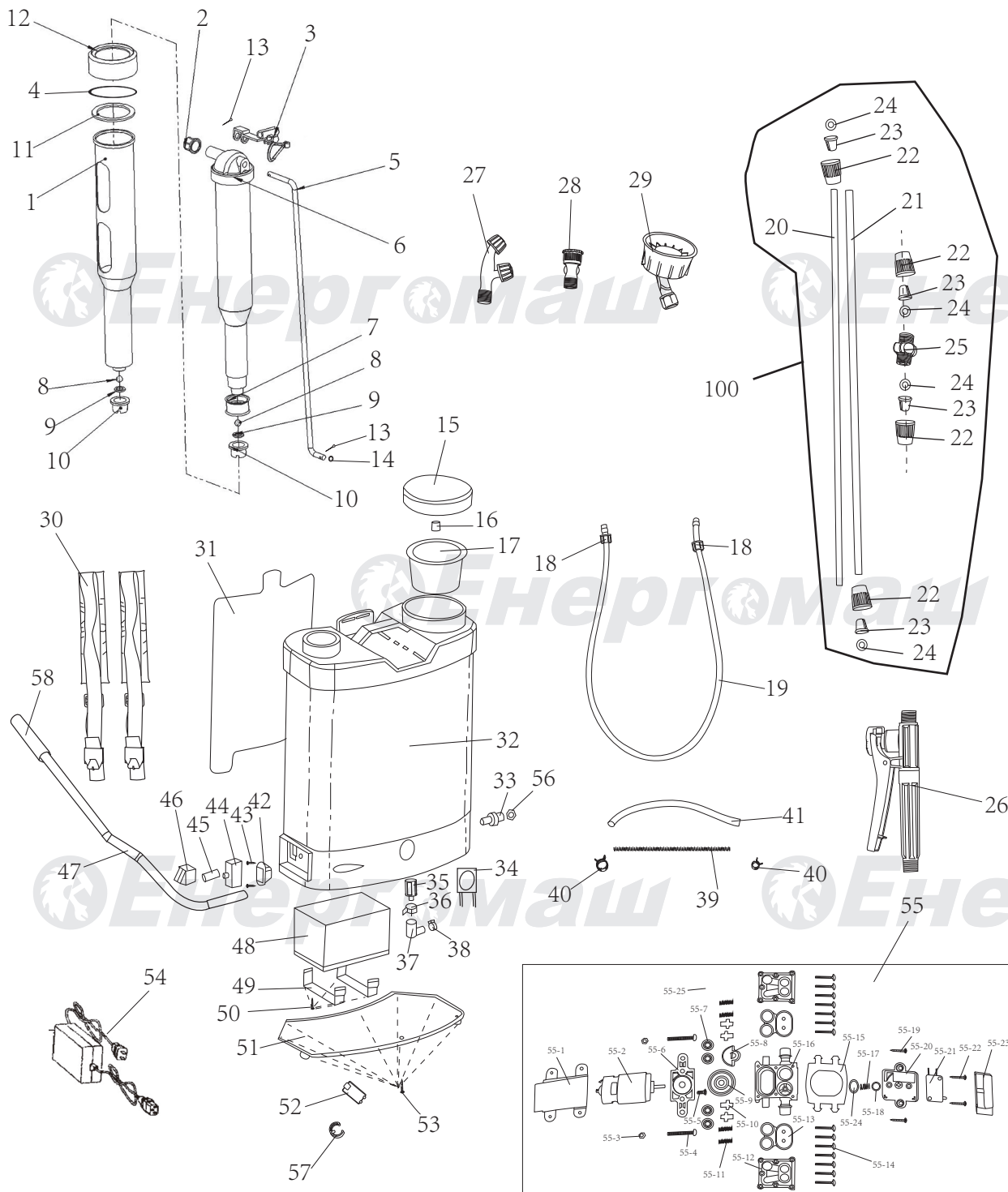


CAO-4016П



| NO. | DESCRIPTION | NO. | DESCRIPTION |
|-----|-----------------------------|-------|-----------------------|
| 1 | Pump | 43 | Screw |
| 2 | plug | 44 | Speed-control switch |
| 3 | oper arm clamp | 45 | Speed control knob |
| 4 | gasket ring | 46 | Switch |
| 5 | connetion rod | 47 | Rocker |
| 6 | Air chamber cap | 48 | 12V,8AH Battery |
| 7 | Bowl | 49 | Battery belt |
| 8 | Sealing ball | 50 | Screw |
| 9 | water outlet Seal valve | 51 | Base plate |
| 10 | water inlet seal valve | 52 | Base plate buckle |
| 11 | Oilcloth seal Ring | 53 | Screw |
| 12 | pressure lid of air chamber | 54 | charger |
| 13 | Cotter pin | 55 | Mini Pump |
| 14 | spacer | 55-1 | housing |
| 15 | cap | 55-2 | Dc motor |
| 16 | Intake valve | 55-3 | nut |
| 17 | Filter | 55-4 | Screw |
| 18 | Hose nut | 55-5 | Screw |
| 19 | Hose | 55-6 | Support bracket |
| 20 | Stainless steel pipe 1 | 55-7 | Valve seat |
| 21 | Stainless steel pipe 2 | 55-8 | Eccentric wheel |
| 22 | nut for spray rod | 55-9 | bearing |
| 23 | cover for opening | 55-10 | valve core |
| 24 | seal ring | 55-11 | Spring |
| 25 | Spray rod joint | 55-12 | Pump body cover |
| 26 | Trigger | 55-13 | Pump membrane |
| 27 | double nozzle | 55-14 | Screw |
| 28 | Four- hole nozzle | 55-15 | connetion rod |
| 29 | eight- hole nozzle | 55-16 | Pump body |
| 30 | Straps | 55-17 | Spring |
| 31 | Back pad | 55-18 | spacer |
| 32 | Tank | 55-19 | Screw |
| 33 | outlets connection | 55-20 | Pump body roof |
| 34 | Power indicator | 55-21 | Switch |
| 35 | Filter | 55-22 | Screw |
| 36 | Clamp | 55-23 | Switch cover |
| 37 | Water inlet connection | 55-24 | Rubber ring |
| 38 | Clamp | 55-25 | Pump body under cover |
| 39 | Spring | 56 | connection nut |
| 40 | Tube clamp | 57 | Fixed Buckle |
| 41 | Transparent hose | 58 | Handle sleeve |
| 42 | Charger plug | 100 | spray gun assembly |