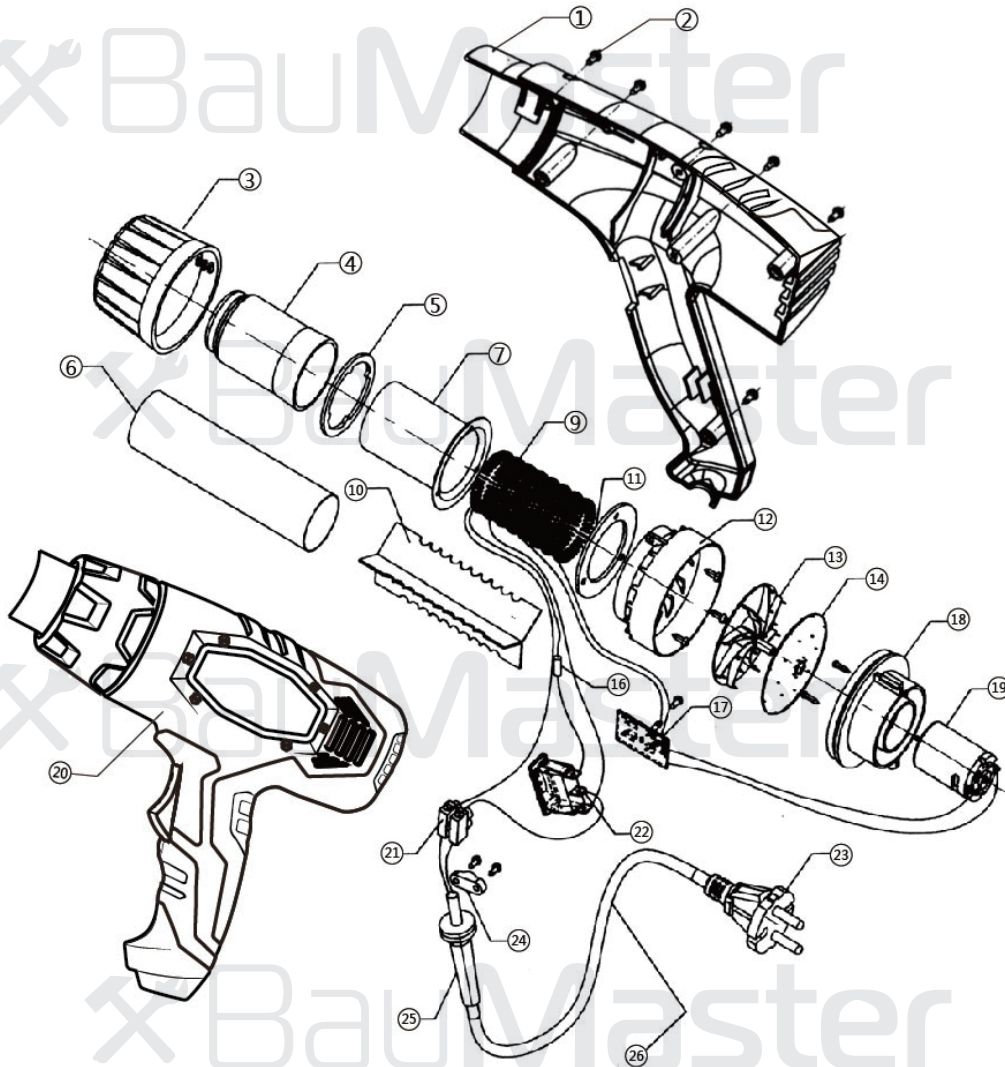


HG-2000



NO.	DESCRIPTION	NO.	DESCRIPTION
1	RIGHTHOUSING	14	FAN COVER
2	SCREW	16	THERMAL LINK
3	FRONT COVER	17	PCB
4	WIND PIPE	18	MOTOR BRACKET
5	SUPPORTING	19	MOTOR
6	MICA SHEET	20	LEFT HOUSING
7	WIND PIPE	21	TERMINAL
9	HEATING WIRE	22	SWITCH
10	BRACKET	23	POWER PLUG
11	HEAT INSULATE PLATE	24	CORD PRESS PLATE
12	WIND PIPE STOCK	25	CORD GUARD
13	FAN	26	POWER CORD

UK-BM20160720