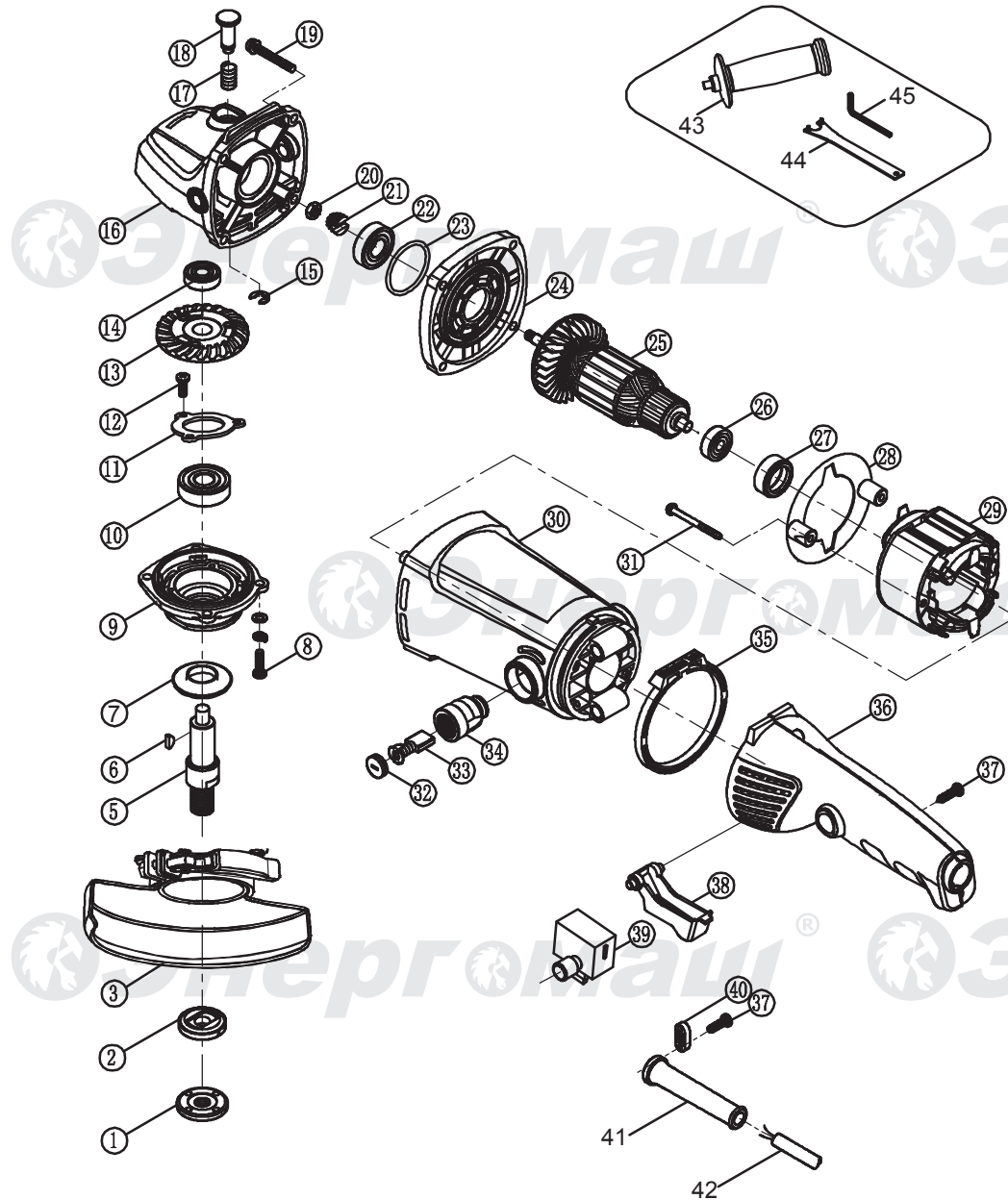


УШМ-9513ПМ



| NO. | DESCRIPTION | NO. | DESCRIPTION |
|-----|---------------------|-----|-----------------|
| 1 | OUTER FLANGE | 24 | MIDDLE COVER |
| 2 | INNER FLANGE | 25 | ROTOR |
| 3 | GUARD | 26 | BEARING 627Z |
| 5 | SPINDLE | 27 | BEARING BUSH |
| 6 | KEY | 28 | WIND GUIDE |
| 7 | ANTI-DUST COVER | 29 | STATOR |
| 8 | SCREW | 30 | HOUSING |
| 9 | FRONT COVER | 31 | SCREW |
| 10 | BEARING 6201Z | 32 | BRUSH COVER |
| 11 | BEARING PRESS BOARD | 33 | CARBON BRUSH |
| 12 | SCREW | 34 | BRUSH HOLDER |
| 13 | BIG GEAR | 35 | DECORATION RING |
| 14 | BEARING 607Z | 36 | REAR HANDLE |
| 15 | CIRCLIP | 37 | SCREW |
| 16 | GEAR BOX | 38 | SWITCH TRIGGER |
| 17 | SPRING | 39 | SWITCH |
| 18 | LOCKING BUTTON | 40 | CABLE CLAMP |
| 19 | SCREW | 41 | CABLE SLEEVE |
| 20 | NUT | 42 | CABLE |
| 21 | PINION | 43 | SIDE HANDLE |
| 22 | BEARING 6000Z | 44 | SPANNER |
| 23 | SEAL RING | 45 | ALLEN KEY |

UK-EN20181214