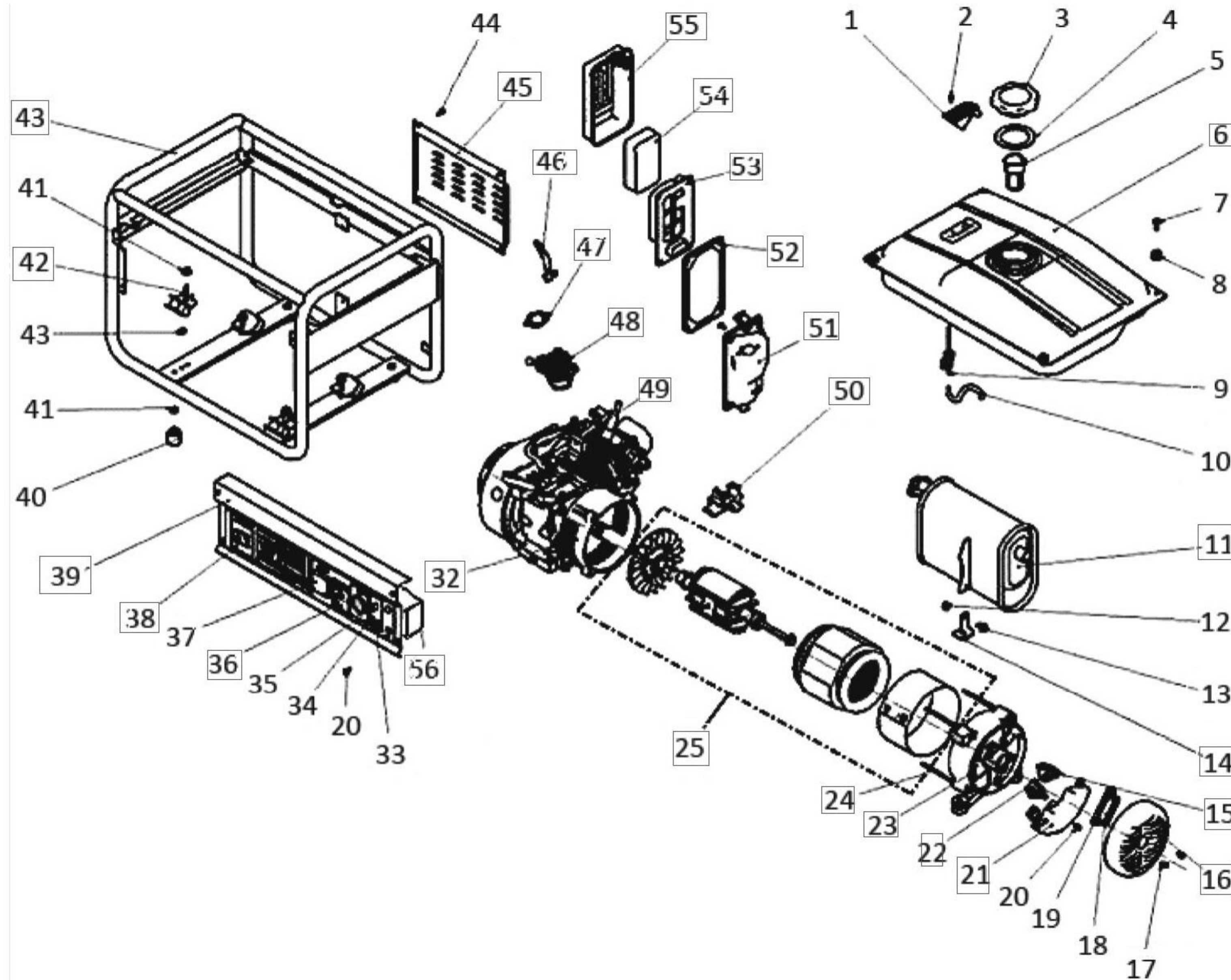


## ЭГ-87224



1	oil level gage	32	engine assembly
2	screw (5*10MM)	33, 39	panel
3	fuel tank cap	34	lamp +, -
4	gasket of fuel tank cap	35	fuse
5	fuel filter	36	overload protector (2.0KW)
6	fuel tank (15L)	37	voltmeter
7	screw of fuel tank	38	ON/OFF switch (recoil starter)
8	shock gasket of fuel tank	40	shokproof foot
9	fuel control valve	41	screw (M8)
10	fuel pipe	42	bottom rubber
11	liner of muffler	43	frame (2.0kw)
12	screw of muffler (M6*12, M8*16)	44	screw of muffler cover (M6*12)
13	screw of muffler (M6*12, M8*16)	45	168 muffler cover
14	muffler bracket	46	lever carburetor
15	bracket (carbon brushes)	47	168 gasket of carburetor
16	real cover	48	168 carburetor
17	screw of real cover	49	168 high voltage set
18	terminal	50	insulator carburetor
19	screw (5*12MM)	51	168 plate of air clerner
20	screw of AVR (M5*12)	52	168 gasket of air cleaner
21	AVR (2.0kw)	53	168 inner core of air cleaner
22	bracket	54	168 air cleaner filter
23	screw of bracket (M6*130)	55	168 cover of air clerner
24	alternator	56	168 panel cover