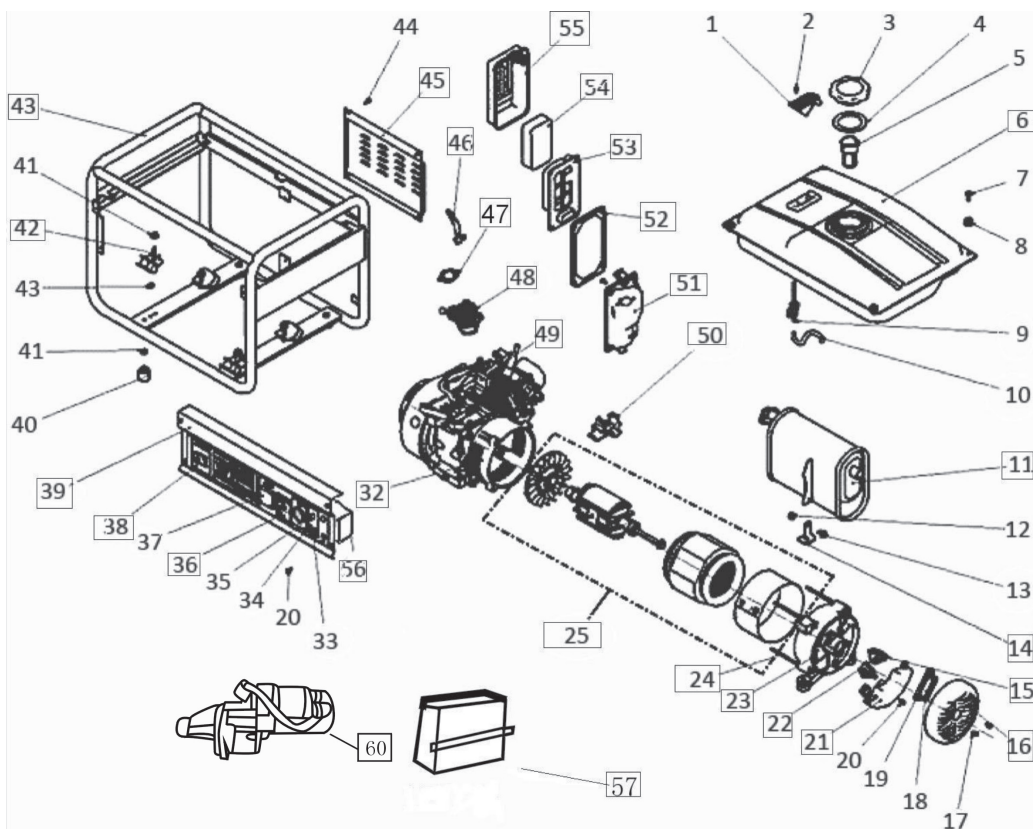


## ЭГ-87230Е



1	oil level gage	33, 39	panel
2	screw (5*10MM)	34	lamp +, -
3	fuel tank cap	35	fuse
4	gasket of fuel tank cap	36	overload protector (2.5KW)
5	fuel filter	37	voltmeter
6	fuel tank (15L)	38	ON/OFF switch (key starter)
7	screw of fuel tank	40	shockproof foot
8	shock gasket of fuel tank	41	screw (M8)
9	fuel control valve	42	bottom rubber
10	fuel pipe	43	frame (2.5kw)
11	liner of muffler	44	screw of muffler cover (M6*12)
12	screw of muffler (M6*12, M8*16)	45	168 muffler cover
13	screw of muffler (M6*12, M8*16)	46	lever carburetor
14	muffler bracket	47	168 gasket of carburetor
15	bracket (carbon brushes)	48	168 carburetor
16	real cover	49	168 high voltage set
17	screw of real cover	50	insulator carburetor
18	terminal	51	168 plate of air clerner
19	screw (M8*4)	52	168 gasket of air cleaner
20	screw of AVR (M5*12)	53	168 inner core of air cleaner
21	AVR (2.5kw)	54	168 air cleaner filter
22	bracket	55	168 cover of air clerner
23	screw of bracket (M6*155)	56	168 panel cover
24	alternator	57	battery
32	engine assembly	60	motor