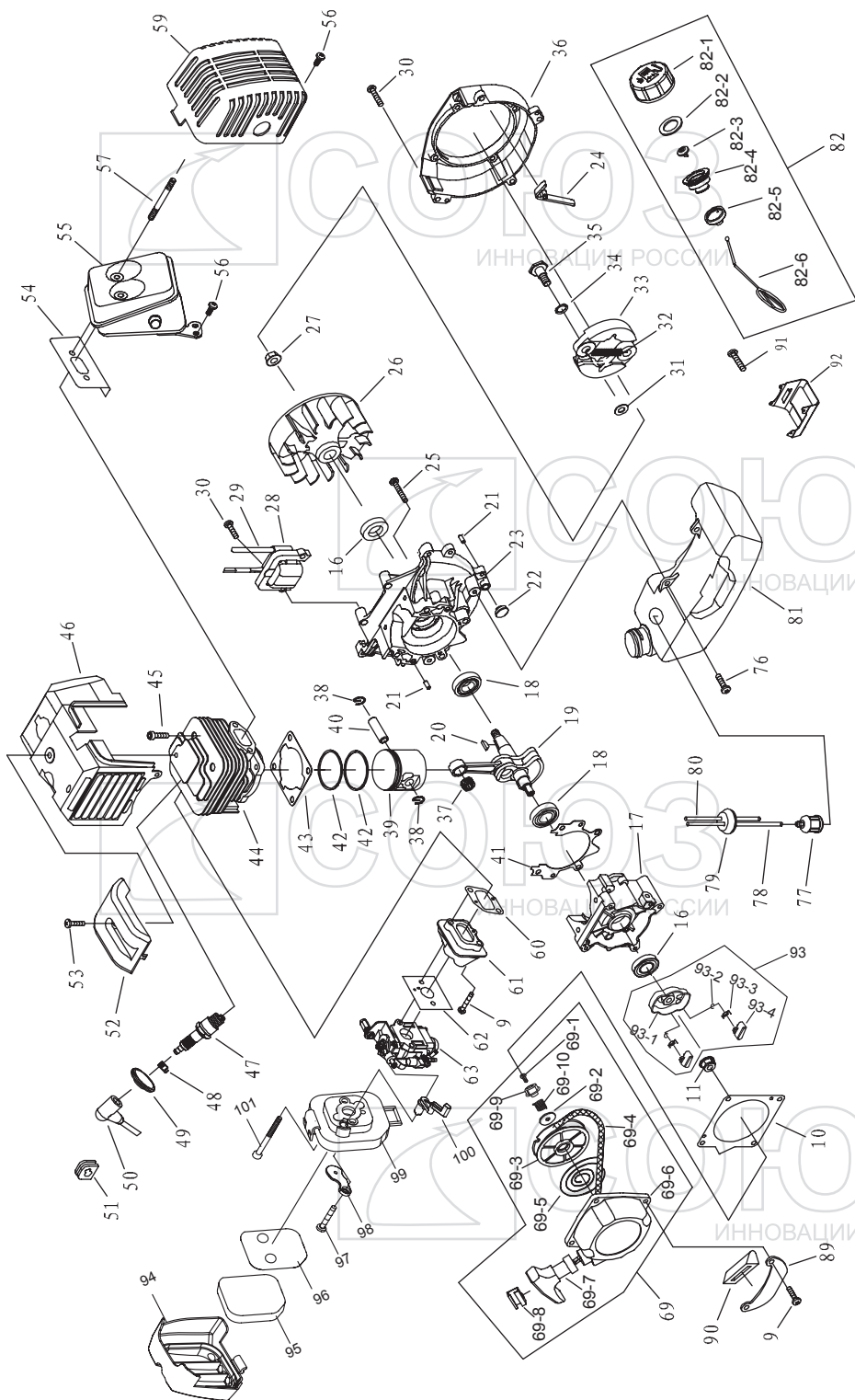


BTS-9043L

NO.	DESCRIPTION	NO.	DESCRIPTION	NO.	DESCRIPTION
1	GEAR CASE ASS'Y	31	HARNESS CLAMP	62	CLOCK PIN
2	STOP RING	32	CLAMP	63	HANDGRIP
3	STOP RING	33	SCREW M5X20	64	SPRING
4	BEARING 6000-2RS/P5	34	NUT	65	BOX,RIGHT
5	PINION	35	CLUTCH COMP.	66	SCREW ST2.9X18
6	STEEL PLATE CAP	36	CLUTCH DRUM COMP.	67	SCREW M5X30
7	SCREW M6X20	37	STOP RING	68	CABLE COMP.
8	WASHER	38	BEARING 6202-2RS/P5	69	TUBE
9	SCREW M5X12	39	STOP RING	70	STOP BUTTON COMP.
10	BOLT M6X12	40	LINKER	71	HANDGRIP
11	WASHER	41	RUBBER COVER	72	SPRING
12	GEAR CASE	42	SCREW	73	BOX,LEFT
13	BLADE COVER	43	WASHER	74	NYLON CUTTER HEAD
14	BEARING 6000/P5	44	WASHER	75	CASE
15	GEAR	46	CLAMP	76	LEFT NUT
16	GEAR SHAFT	47	WIRE CLAMP BAND	77	WASHER
17	BEARING 6002-2RS/P5	48	HARNESS ASS'Y	78	SPRING
18	STOP RING	49	SCREW M5X2	79	NYLON CORD
19	HOLDER	50	CAP,LOWER	80	CORD HOLDER
20	HOLDER	51	WASHER	81	PLATEN
21	HOLDER	52	BRACKET	82	COVER
22	LEFT NUT	53	HANDLE	83	BRACKET
24	BLADE	54	GRIP LEFT	84	SCREW M5X30
25	PIPE COMP.	56	CAP,UPPER	85	SAFETY GUARD
26	RUBBER COVER	57	HANDLE	86	SCREW M5X16
27	OIL-BEARING	58	LEVER ASS'Y	87	SCREW ST4.2X16
28	DRIVE SHAFT	59	SCREW ST2.9X13	88	GUARD
29	PIPE	60	BUTTON	89	BLADE
30	HOLDER ASS'Y	61	SPRING	90	GUARD ASS'Y

SO20121116





ЭЛЕКТРОДВИГАТЕЛЬ ДЛЯ BTS-9043L

NO.	DESCRIPTION	NO.	DESCRIPTION	NO.	DESCRIPTION
9	SCREW M5X20	44	CYLINDER	76	SCREW M5X16
10	GASKET	45	SCREW	77	CLEANER COVER
11	NUT	46	GUIDE COVER ASS'Y	78	OUTLET FUEL PIPE
16	OIL-SEAL	47	SPARK PLUG	79	PLUG
17	CRANK CASE	48	SPRING	80	INLET FUEL PIPE
18	BEARING 6201/P5	49	PLUG COVER	81	FUEL TANK
19	CRANK SHAFT	50	PLUG CAP	82	LID ASS'Y
20	KEY	51	PLUG	82-1	FUEL TANK LID
21	PIN	52	UPPER COVER	82-2	GASKET
22	RUBBER WASHER	53	SCREW	82-3	INLET
23	CRANK CASE	54	GASKET	82-4	INSIDE COVER
24	FLASH PAN	55	MUFFLER	82-5	LID
25	SCREW M5X30	56	SCREW	82-6	CHAIN
26	MAGNETO ROTO COMP	57	BOLT	89	STAND
27	NUT	59	MUFFLER COVER	90	RUBBER COVER
28	IGNITION COLL COMP	60	GASKET	91	SCREW M5X20
29	CORD COMP	61	ADMITTING PIPE	92	BRACKET
30	BOLT M5X20	62	GASKET	93	STARTER PULLEY ASS'Y
31	WASHER B	63	CARBURETOR	93-1	STARTER REEL
32	SPRING	69	STARTER	93-2	STOP RING
33	EXPANDER	69-1	SCREW	93-3	STARTER PAWL SPRING
34	WASHER	69-2	WASHER	93-4	STARTER PAWL
35	SCREW PIN	69-3	START ROPE REEL	94	CLEANER OUTSIDE COVER
36	FAN COVER	69-4	ROPE	95	CLEANER ELEMENT
37	BEARING	69-5	RECOIL SPRING	96	DEFENDER FOR CLEANER ELEMENT
38	RING	69-6	START COVER ASS'Y	97	SCREW ST4.2X12-F-H
39	PISTON	69-7	START HANDLE	98	CHOKE
40	PISTON PIN	69-8	RING	99	CLEANER INSIDE COVER
41	GASKET	69-9	START RATCHET	100	CHOKE HANDLE
42	PISTON RING	69-10	EASY START COIL-SPRING	101	SCREW M5X55
43	GASKET				

ИННОВАЦИИ РОССИИ

SO20121116

