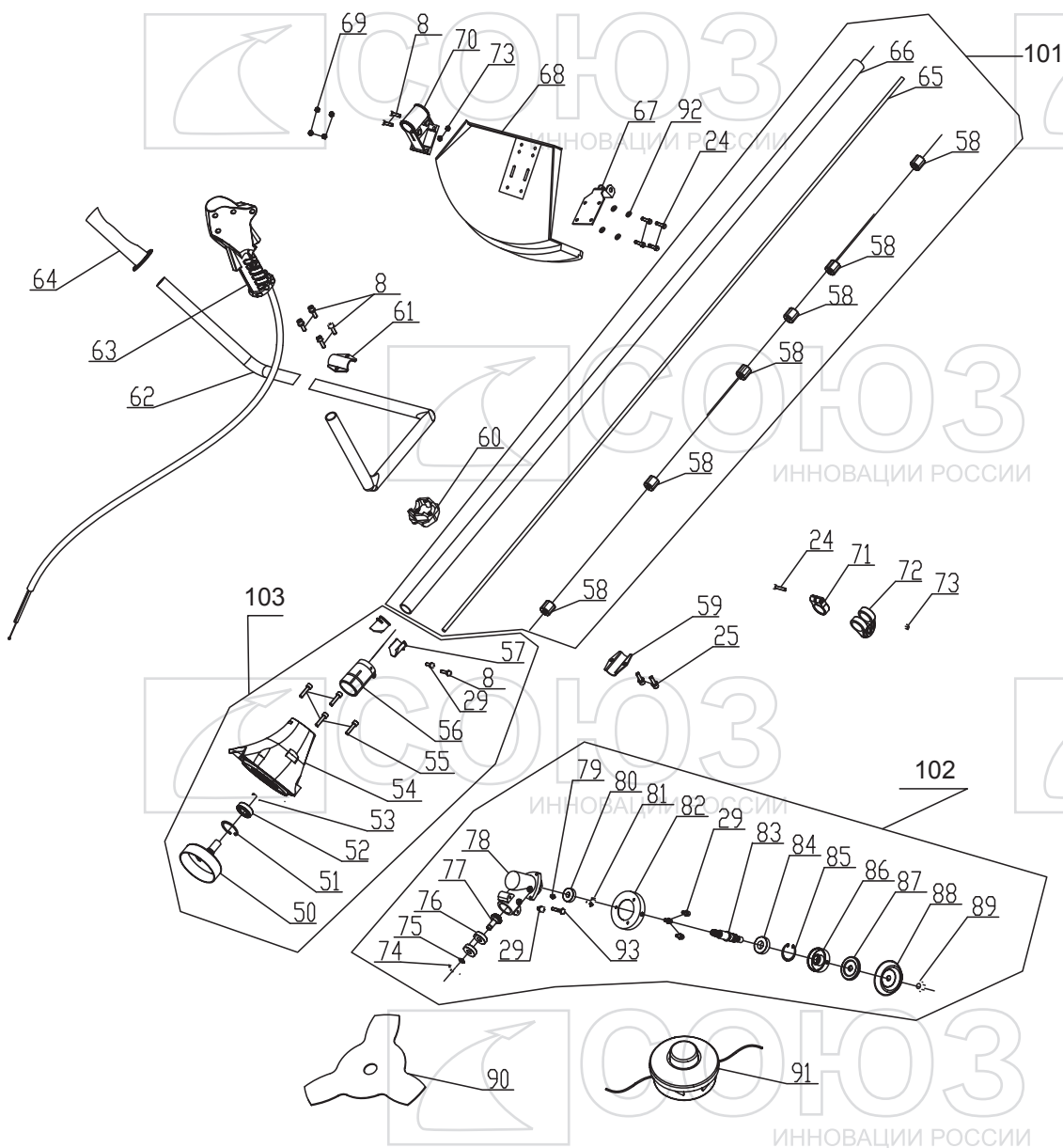
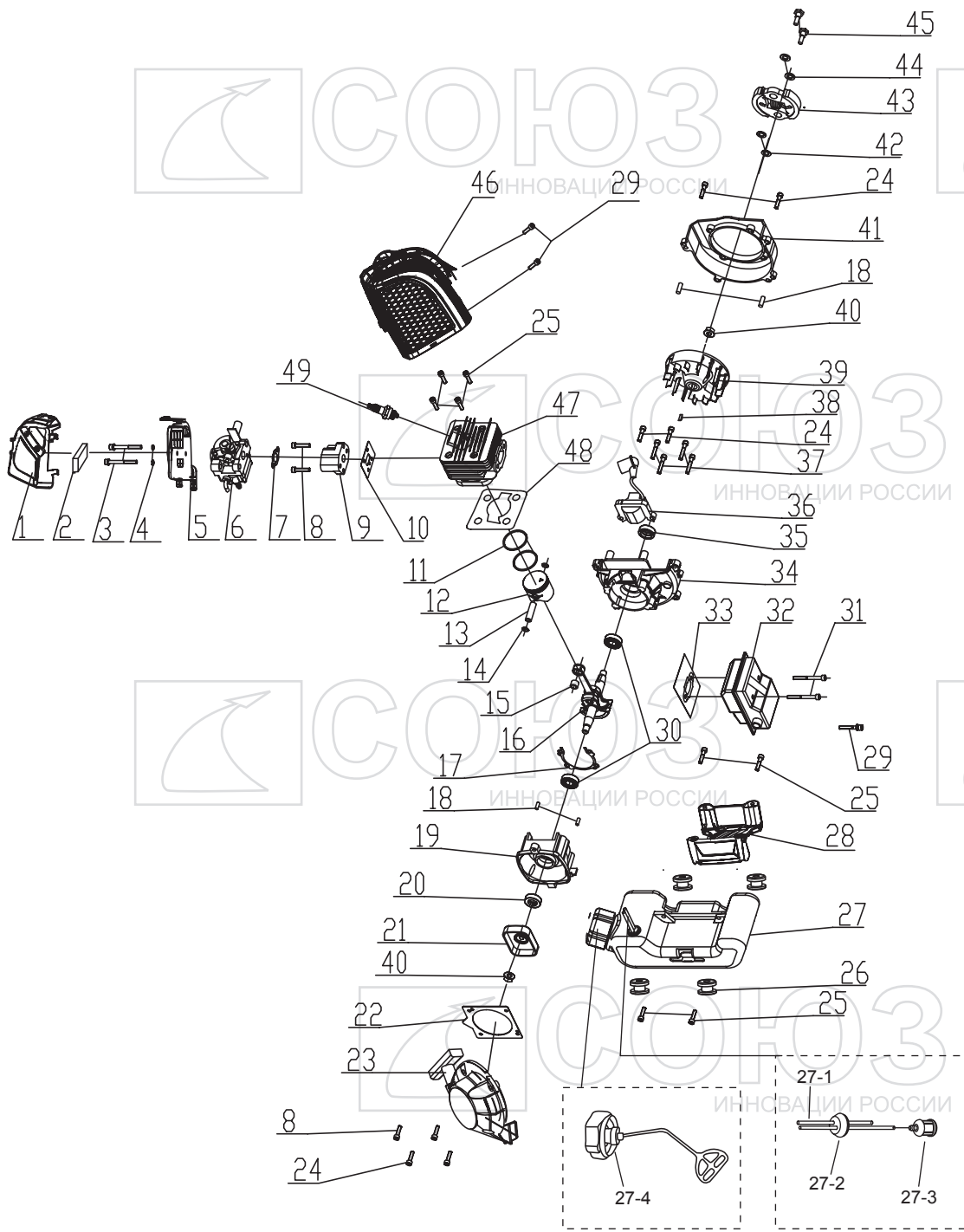


БТС-9062Л/БТС-9072Л



NO.	DESCRIPTION	NO.	DESCRIPTION
8	BOLT	72	GALLUS HOLDER
24	BOLT	73	NUT
25	BOLT	74	CIRCLIP FOR HOLE
29	SCREW	75	CIRCLIP FOR SHAFT
50	CLUTCH ENCLOSURE	76	BEARING 6000RS
51	CIRCLIP FOR HOLE	77	GEAR
52	BEARING 6202 RS	78	GEAR BOX
53	CIRCLIP FOR SHAFT	79	BUTTER NUZZLE
54	CONNECTOR BASE	80	BEARING 6000RS
55	BOLT	81	GEAR
56	SHEATH	82	CLAMP BUSH
57	CLAMP	83	OUTPUT SHAFT
58	OIL BEARING	84	BEARING 6002RS
59	CLAMP(LOWER)	85	CIRCLIP FOR HOLE
60	CLAMP CORE	86	BLADE FIXED BOARD
61	CLAMP(UPPER)	87	BLADE CLAMP BOARD
62	HANDLE ALU. TUBE	88	BLADE GUARD CAP
63	CONTROLLER HANDLE	89	NUT
64	LEFT HANDLE	90	BLADE
65	HARD SHAFT	91	GRASS TRIMMER HEAD
66	ALU. ROD	92	WASHER
67	BLADE ON GUARD	93	BOLT
68	GUARD	101	ROD WITH SHAFT ASSEMBLY
69	NUT	102	GEAR BOX ASSEMBLY
70	GUARD HOLDER	103	CONNECTOR ASSEMBLY
71	GALLUS HOLDER CLAMP		

SO20130814-1



БЕНЗОДВИГАТЕЛЬ ДЛЯ БТС-9062Л/БТС-9072Л

NO.	DESCRIPTION	NO.	DESCRIPTION
1	AIR FILTER COVER	27-1	PLUG
2	AIR FILTER SPONGE	27-2	FUEL PIPE
3	BOLT	27-3	CLEANER COVER
4	SPRING WASHER	27-4	FUEL TANK CAP
5	AIR FILTER BASE	28	FUEL TANK BRACKET
6	CARBURETOR	29	SCREW
7	SEALING GASKET	30	BEARING 6202
8	BOLT	31	SCREW
9	AIR SUCTION PIPE	32	MUFFLER
10	SEALING GASKET	33	SEALING
11	PISTON RING	34	CASE (UPPER)
12	PISTON	35	SEALING
13	PISTON PIN	36	IGNITION COIL
14	CIRCLIP	37	BOLT
15	NEEDLE BEARING	38	WOODRUFF KEY
16	CRANK SHAFT ASSEMBLY	39	FLYWHEEL
17	SEALING GASKET	40	NUT WITH FLANGE
18	PIN	41	FLYWHEEL CASE COVER
19	CASE (LOWER)	42	WASHER
20	SEALING	43	CLUTCH ASSEMBLY
21	STARTER PULLY ASSEMBLY	44	WASHER
22	WASHER	45	BOLT
23	STARTER ASSEMBLY	46	CYLINDER COVER
24	BOLT	47	CYLINDER
25	BOLT	48	SEALING
26	DAMPING RUBBER	49	SPARK PLUG
27	FUEL TANK		

SO20130814-1

