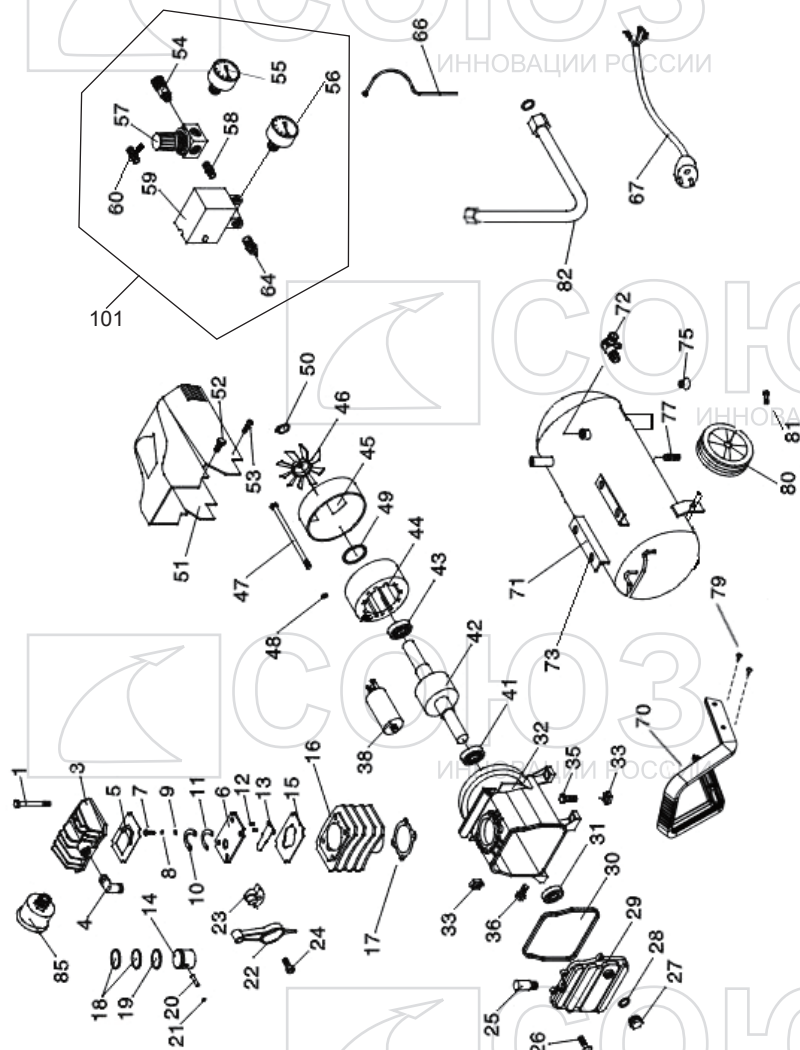




БК-9315



NO.	DESCRIPTION	NO.	DESCRIPTION
1	HEX BOLT WITH WASHER	42	ROTOR
3	CYLINDER HEAD	43	BEARING 6202
4	EXHAUST ELBOW	44	STATOR WITH THERMAL PROTECTOR
5	CYLINDER GASKET	45	REAR MOTOR COVER
6	VALVE PLATE	46	FAN
7	SCREW	47	HEX BOLT
8	LOCKWASHER	48	LOCK WASHER
9	FLAT WASHER	49	SPACER
10	VALVE LIMITER	50	EXT RETAINING RING
11	VALVE REED	51	FAN COVER
12	POSITION PIN	52	HEX BOLT
13	INLET VALVE	53	SCREW
14	PISTON	54	QUICK COUPLER
15	CYLINDER GASKET UPPER	55	PRESSURE GAUGE (SMALL)
16	CYLINDER	56	PRESSURE GAUGE (BIG)
17	CYLINDER GASKET LOWER	57	REGULATOR
18	COMPRESSION RING	58	CONNECTOR
19	OIL RING	59	PRESSURE SWITCH
20	PISTON PIN	60	BALL VALVE COUPLER
21	EXT RETAINING RING	64	SAFETY VALVE
22	CONNECTING ROD	66	RELIEF TUBE ASSEMBLY
23	ECCENTRICITY	67	POWER CORD & PLUG
24	SCREW	70	HANDLE GRIP
25	BREATH PIPE	71	TANK
26	SCREW	72	CHECK VALVE
27	OIL INDICATOR SIGHT	73	HEX NUT
28	OIL INDICATOR SEAL	75	FOOT
29	CRANKCASE COVER	77	DRAIN VALVE
30	COVER SEAL	79	SCREW
31	OIL SEAL	80	WHEEL
32	CRANKCASE	81	PIN
33	HEX NUT	82	DISCHARGE PIPE ASSEMBLY
35	HEX BOLT	85	AIR FILTER
36	OIL PLUG	101	PRESSURE SWITCH AND AIR CONNECTOR ASSEMBLY
38	CAPACITOR		
41	BEARING 6204		

SO20121122

