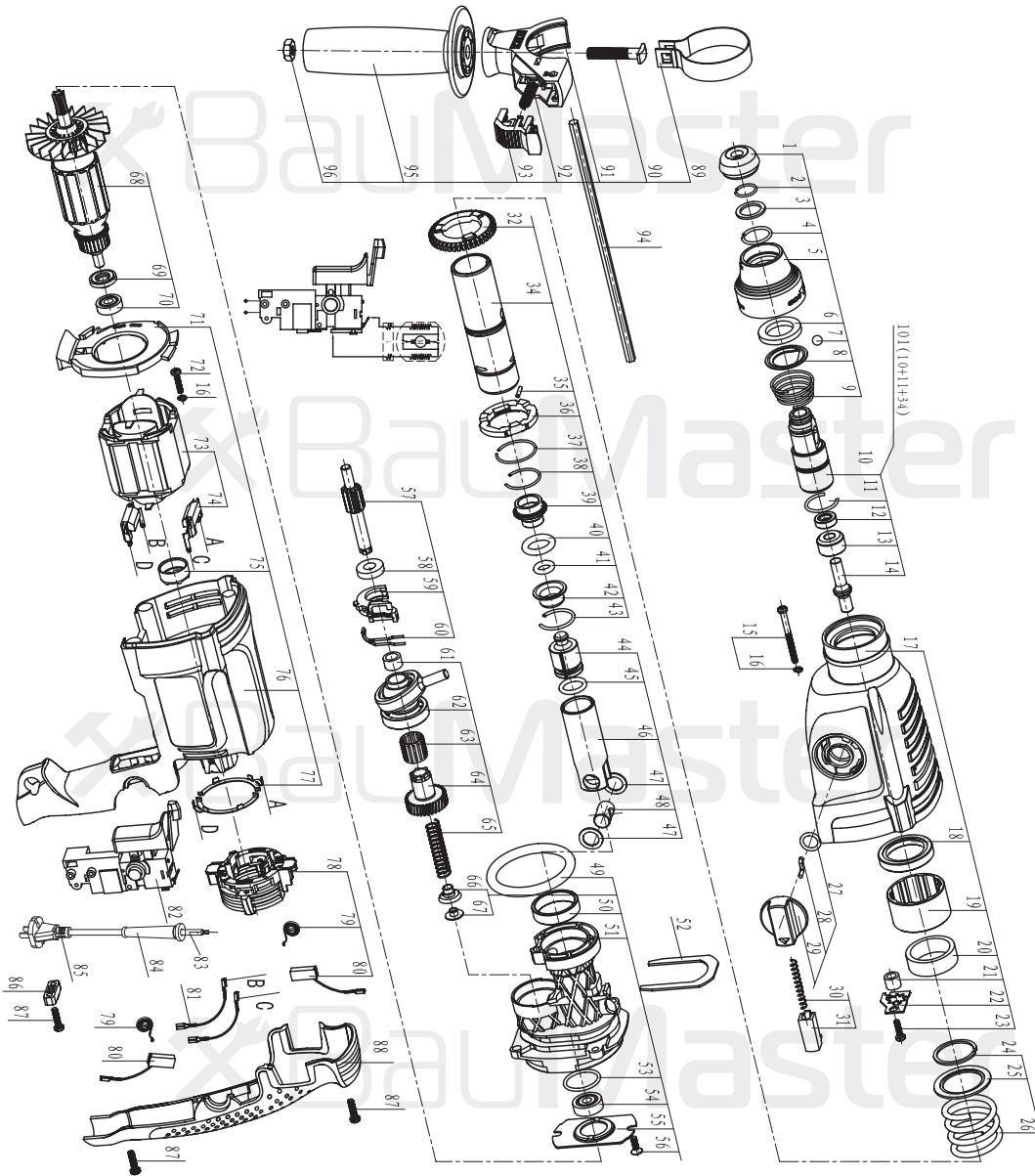


RH-2510X



NO.	DESCRIPTION	NO.	DESCRIPTION
1	DUST CAP	50	HOLDER BUSHING
2	SNAP RING	51	HOLDER
3	WASHER	52	PRESS FORK
4	SNAP RING	53	O-RING
5	LOCKING SLEEVE	54	BEARING 609Z
6	THICK WASHER	55	BEARING PRESS PLATE
7	STEEL BALL	56	SCREW
8	WASHER	57	GEAR SHAFT
9	SPRING	58	BEARING 699Z
10	DRILL BIT COVER	59	MODEL SELECTOR FORK
11	SNAP RING	60	FORK SPRING
12	OIL SEAL	61	NEEDLE ROLLER BEARING HK0908
13	THRUST RING	62	ROCKER BEARING
14	STRIKER SHAFT	63	NEEDLE ROLLER BEARING K15
15	SCREW	64	GEAR
16	SPRING WASHER	65	SPRING
17	FRONT HOUSING	66	SPRING HOLDER
18	OIL SEA	67	POSITION WASHER
19	BUSHING	68	ROTOR
20	NEEDLE ROLLER BEARING HK3012	69	INSULATION WASHER
21	NEEDLE ROLLER BEARING HK0709	70	BEARING 607Z
22	NINE TEETH WASHER	71	WIND GUIDE
23	SCREW	72	SCREW
24	FLAT SNAP RING	73	STATOR
25	WASHER	74	INDUCTOR
26	SPRING	75	BEARING BUSH
27	O-RING	76	HOUSING
28	MODEL SELECTOR POLE	77	SWITCH CONTACT
29	MODEL SELECTOR	78	CARBON BRUSH HOLDER
30	SPRING	79	SPRING
31	LOCKING BUTTON	80	CARBON BRUSH
32	BIG GEARING	81	INTERNAL CORD
34	CONNECT PIPE	82	SWITCH
35	PIN	83	CORD
36	CLUTCH DISK	84	CORD SLEEVE
37	SNAP RING	85	PLUG
38	SNAP RING	86	CORD CLAMP
39	GUIDE BUSH	87	SCREW
40	O-RING	88	BACK COVER
41	O-RING	89	CLAMPING BAND
42	HOLDING JACKET	90	T SCREW
43	SNAP RING	91	SUPPORT CLAMP
44	PISTON	92	LOCKING BUTTON SPRING
45	PISTON O-RING	93	LOCKING BUTTON
46	CYLINDER	94	DEPTH GAUGE
47	CYLINDER PIN WASHER	95	AUXILIARY HANDLE
48	CYLINDER PIN	96	NUT
49	O-RING	101	ROTARY SLEEVE ASSEMBLY(10+11+34)