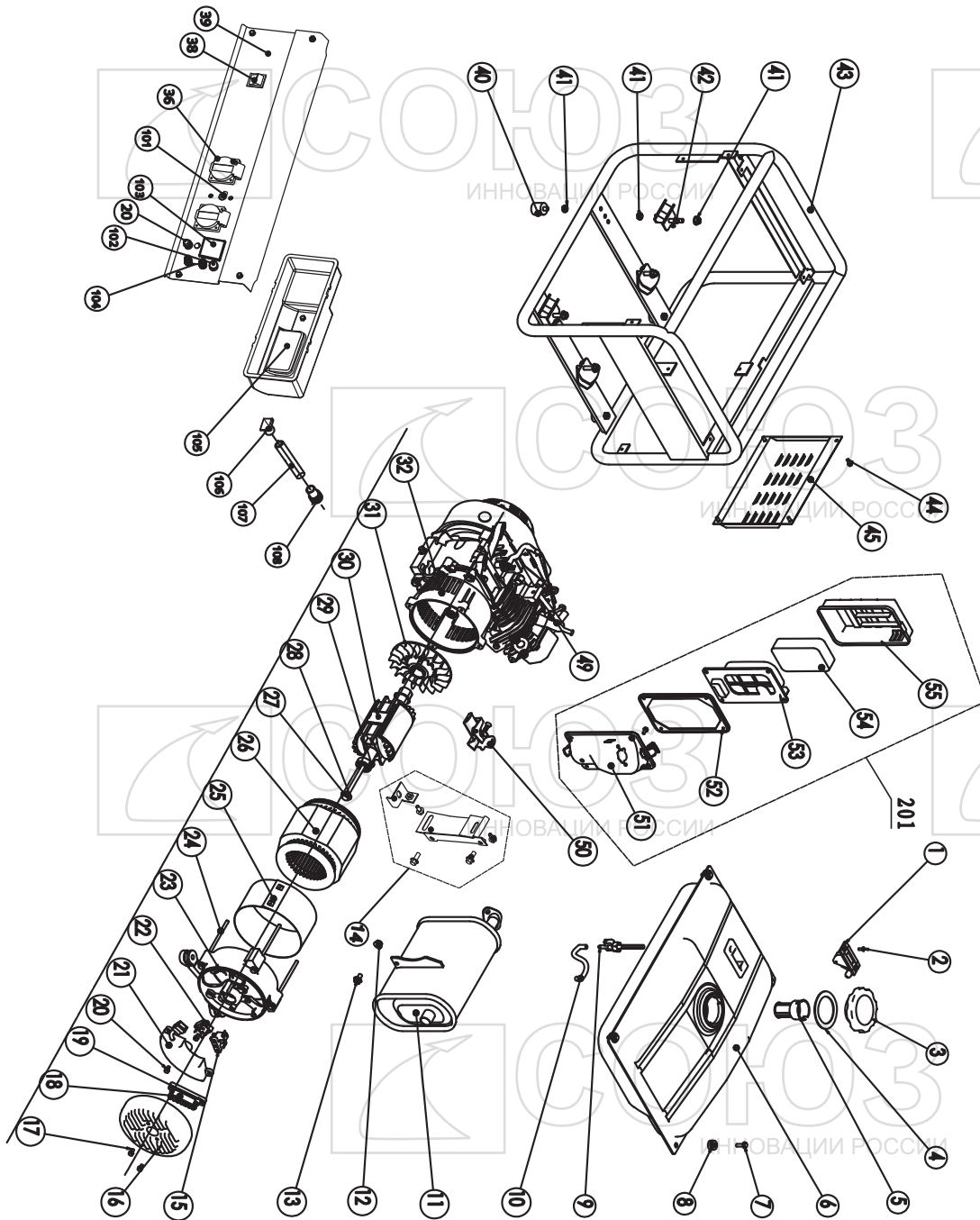


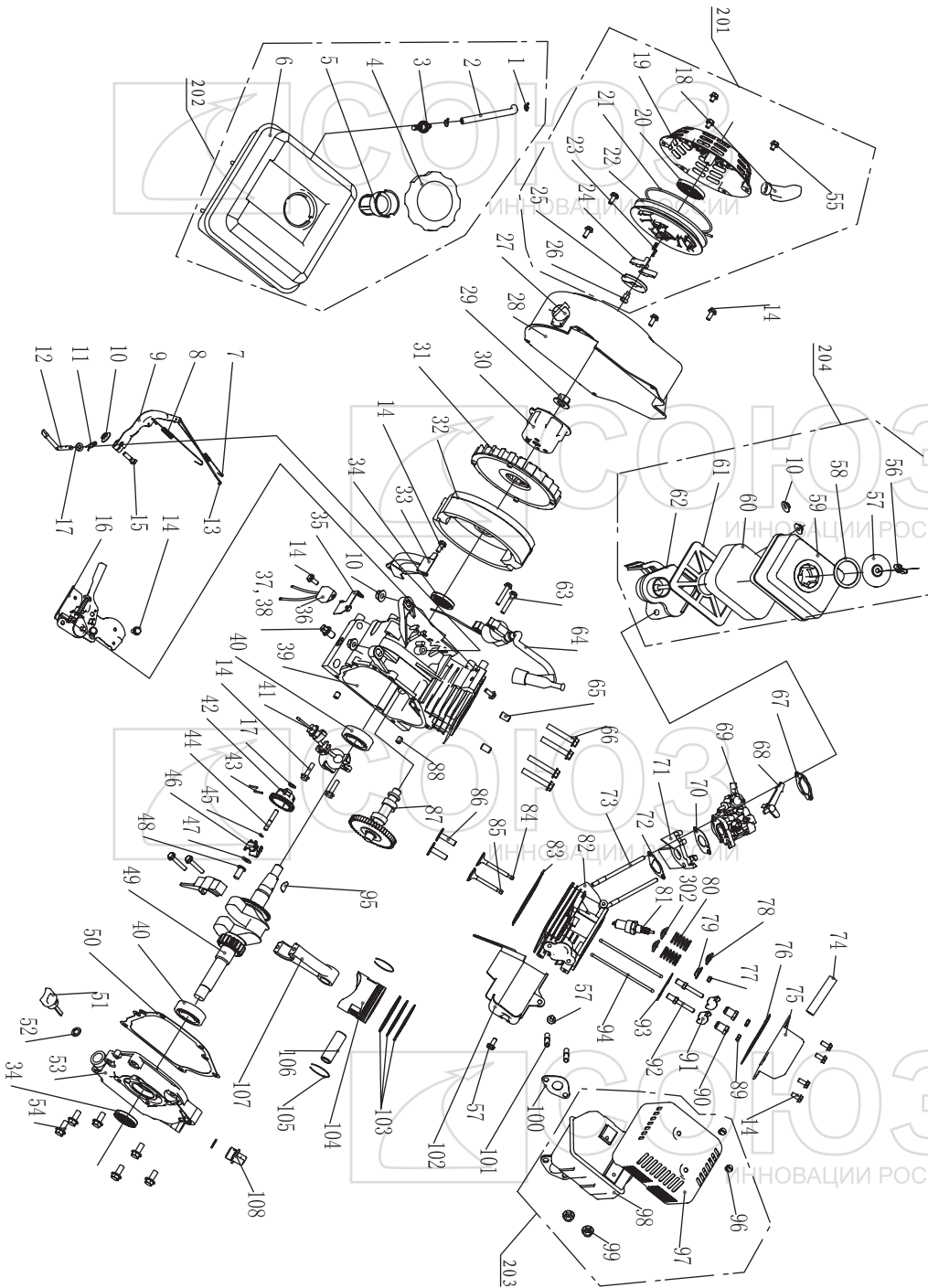
## ЭГС-8721.ЭГС-8725



NO.	DESCRIPTION	NO.	DESCRIPTION
1	FUEL METER ASSY	30	ROTOR COMP
2	SCREW M5X6	31	COOLING FAN
3	FUEL TANK CAP	32	CRANKCASE COVER
4	FUEL TANK CAP SEAL	36	RECEPTACLE(AC)
5	FUEL FILLER	38	SWITCH
6	FUEL TANK	39	CONTROL PANEL
7	BOLT M6X16	40	FRAME RUBBER
8	TANK RUBBER	41	NUT M8
9	FUEL COCK	42	BOTTOM RUBBER
10	FUEL TANK	43	FRAME
11	MUFFLER	44	FLANGE BOLT M6X12
12	NUT M6	45	MUFFLER COVER
13	BOLT	49	ENGINE
14	MUFFLER STAY ASSEMBLY	50	CONTROL ASSY
15	BRUSH ASSY	51	AIR CLEANER CASE COMP
16	GENERATOR END COVER	52	AIR CLEANER SEAL
17	BOLT M5X10	53	SEPARATOR
18	BOLT M5X16	54	ELEMENT
19	TERMINAL	55	AIR CLEANER COVER COMP
20	EARTH BOLT	101	AC CIRCUIT BREAKER
21	AVR	102	DC CIRCUIT BREAKER
22	DIODE ASSY	103	DIGITAL PANEL METER
23	END COVER	104	RECEPTACLE(DC)
24	FLANGE BOLT M6X155	105	CONTROL BOX
25	STATOR COVER	106	PLASTIC SLEEVE
26	STATOR ASSY	107	RIPPLE PIPE
27	FLANGE BOLT M8X227	108	PLASTIC SLEEVE
28	WASHER	201	AIR CLEANER ASSEMBLY(51+52+.....55)
29	BEARING 6202		

SO20130207

## БЕНЗОДВИГАТЕЛЬ ДЛЯ ЭГС-8721.ЭГС-8725



No.	DESCRIPTION	No.	DESCRIPTION	No.	DESCRIPTION
1	CLIP	42	GOVERNOR WEIGHT HOLDER	82	CYLINDER HEAD COMP
2	TUBE	43	GOVERNOR WEIGHT PIN	83	CYLINDER HEAD GASKET
3	FUEL TANK JOINT	44	GOVERNOR SHAFT	84	INTAKE VALVE
4	FUEL FILLER CAP COMP	45	GOVERNOR HOLDER CLIP	85	EXHAUST VALVE
5	OIL FILTER	46	GOVERNOR WEIGHT	86	VALVE LIFTER
6	FUEL TANK COMP	47	GOVERNOR SHAFT WASHER	87	CAMSHAFT ASSEMBLY
7	THROTTLE RETURN SPRING	48	GOVERNOR COVER	88	DOWEL PIN 8*14
8	GOVERNOR SPRING	49	CRANKSHAFT COMP	89	PIVOT ADJUSTING NUT
9	GOVERNOR ARM	50	CASE OVER PACKING	90	ROCKER ARM PIVOT
10	NUT M6	51	OIL FILLER CAP ASSEMBLY	91	VALVE ROCKER ARM
11	LOCK PIN	52	OIL FILLER CAP PACKING	92	PIVOT BOLT
12	GOVERNOR ARM SHAFT	53	CRANKCASE COVER	93	PUSH ROD GUIDE PLATE
13	GOVERNOR ROD	54	FLANGE BOLT 8*32	94	PUSH ROD
14	FLANGE BOLT M6*12	55	FLANGE BOLT 6*8	95	KEY
15	GOVERNOR ARM BOLT	56	AIR CLEANER COVER NUT	96	SCREWS M5 X 8
16	CONTROL ASSEMBLY	57	AIR CLEANER CAP	97	MUFFLER PROTECTOR
17	GOVERNOR WASHER	58	AIR CLEANER CAP PACKING	98	MUFFLER COMP
18	RECOIL STARTER KNOB	59	AIR CLEANER COVER	99	NUT M8
19	RECOIL STARTER COMP	60	AIR CLEANER ELEMENT	100	MUFFLER PACKING
20	RECOIL STARTER SPRING	61	AIR CLEANER GRID	103	FIRST RING SET
21	RECOIL STARTER ROPE	62	AIR CLEANER ELBOW COMP		SECOND RING SET
22	RECOIL STARTER REEL	63	FLANGE BOLT 6*25		RING COMP
23	RETURN SPRING	64	IGNITOR	104	PISTON
24	STARTER RATCHET	65	DOWEL PIN 10*16	105	PISTON PIN CLIP
25	RATCHET GUIDE	66	FLANGE BOLT 8*55	106	PISTON PIN
26	SETTING SCREW	67	CARBURETOR WASHER	107	CONNECTING ROD COMP
28	FAN COVER COMP	68	CHOKE LEVEL COMP	108	OIL FILLER CAP
29	NUT M14	69	CARBURETOR ASSEMBLY	201	STARTER ASSEMBLY(18+...26+55)
30	START HUB	70	CARBURETOR PACKING	302	OIL SEAL OF VALVE
31	COOLING FAN	71	CARBURETOR INSULATOR	27	SWITCH
32	FLY WHEEL	72	INSULATOR PACKING	101	STUD BOLT
33	SIDE PLATE	73	STUD BOLT 6*113	102	SHROUD COMP
34	OIL SEAL	74	BREATHER TUBE	202	FUEL TANK ASSEMBLY(1+2+...6)
35	DIODE BASE COMP	75	HEAD OVER COMP	203	MUFFLER ASSEMBLY(96+97...+99)
36	DIODE COMP	76	HEAD OVER PACKING	204	AIR CLEANER ASSEMBLY(56+...62)
37	DRAIN PLUG BOLT	77	VALVE ROTATOR		
38	DRAIN BOLT WASHER	78	INTAKE VALVE SPRING RETAINER		
39	CRANKCASE	79	EXHAUST VALVE SPRING RETAINER		
40	RADIAL BALL BEARING 6205	80	VALVE SPRING		
41	OIL LEVEL SWITCH ASSY	81	SPARK PLUG		

SO20130207