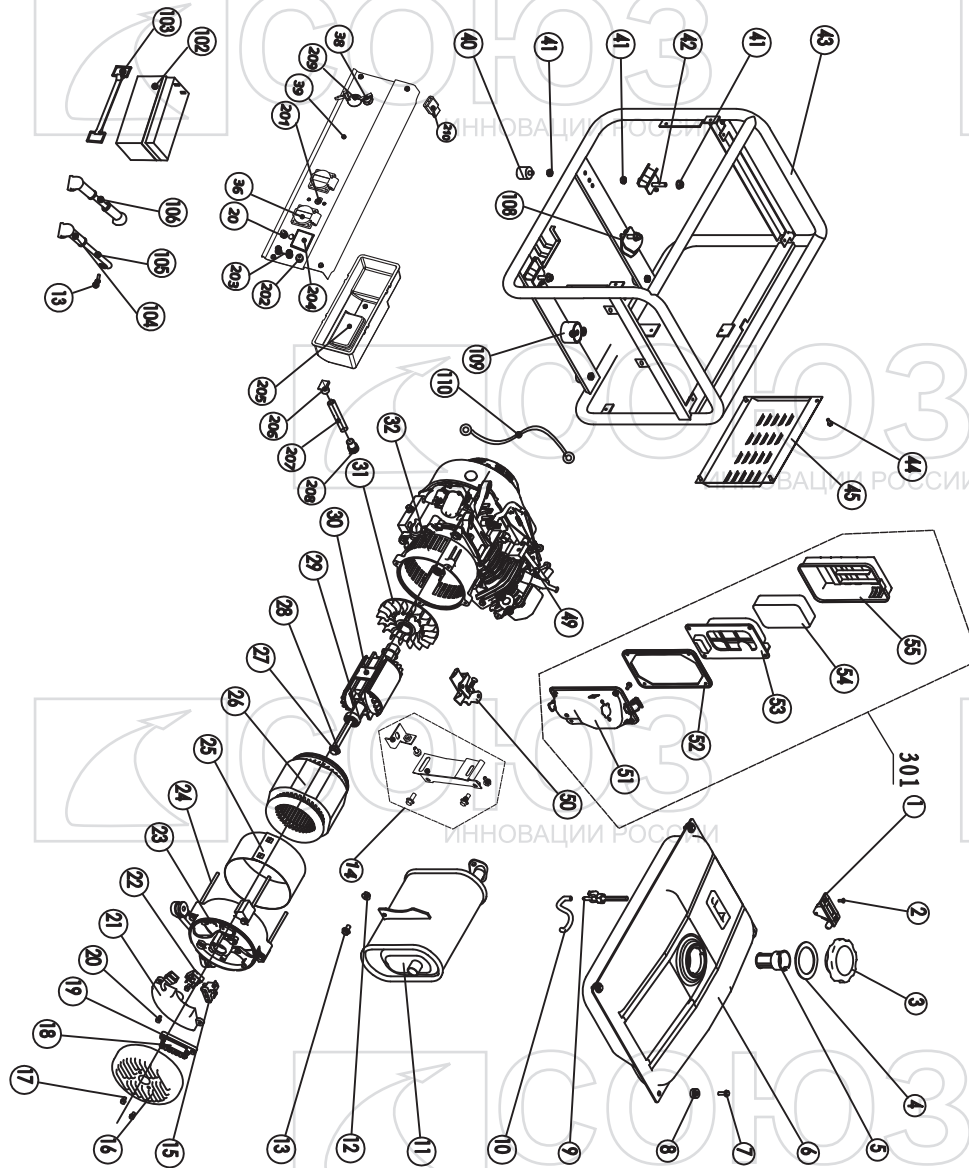


ЭГС-87253

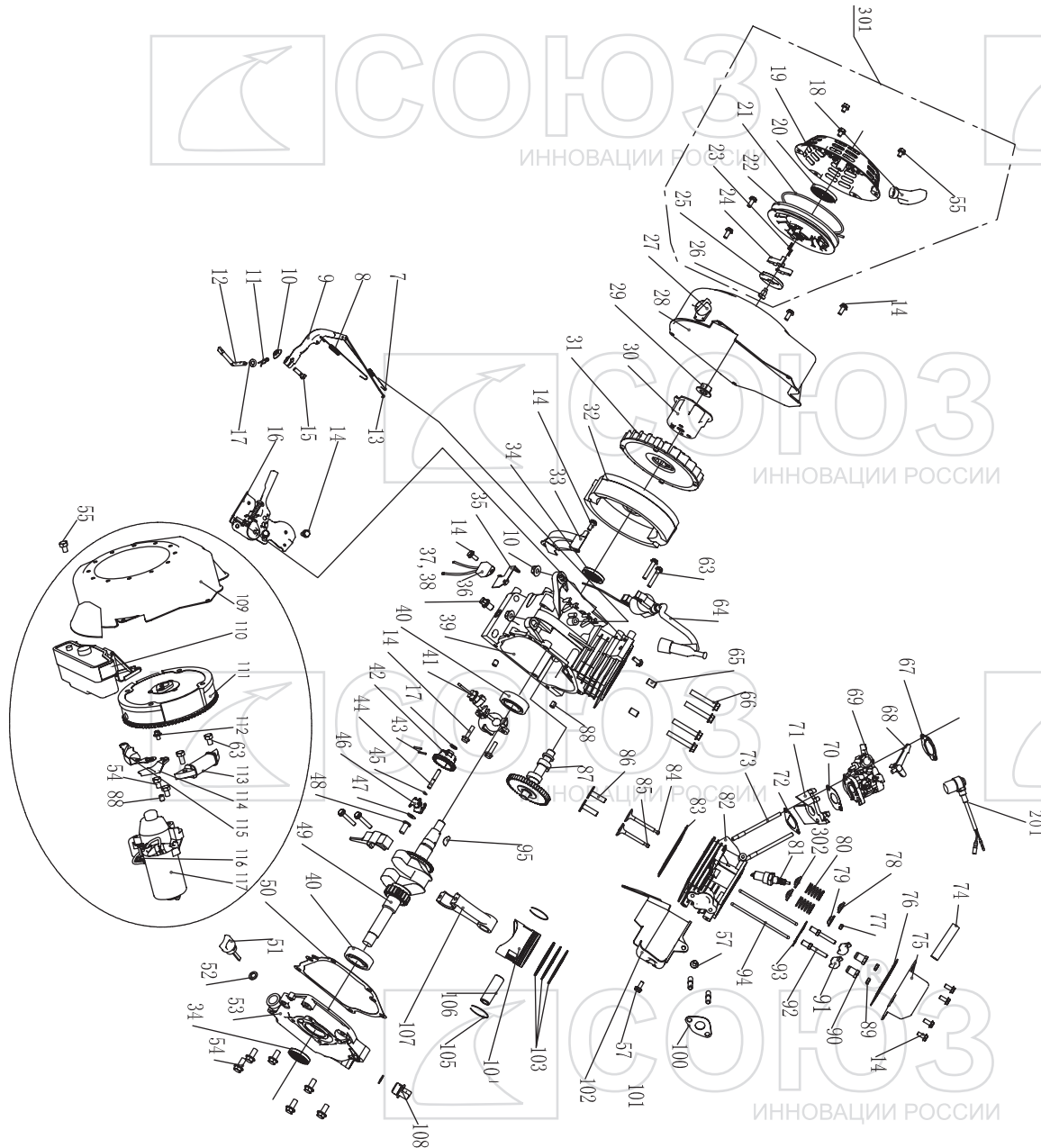


NO.	DESCRIPTION	NO.	DESCRIPTION
1	FUEL METER ASSY	39	CONTROL PANEL
2	SCREW M5X6	40	FRAME RUBBER
3	FUEL TANK CAP	41	NUT M8
4	FUEL TANK CAP SEAL	42	BOTTOM RUBBER I
5	FUEL FILLER	43	FRAME
6	FUEL TANK	44	FLANGE BOLT M6X12
7	BOLT M6X16	45	MUFFLER COVER
8	TANK RUBBER	49	ENGINE
9	FUEL COCK	50	CONTROL ASSY
10	FUEL LINE	51	AIR CLEANER CASE COMP
11	MUFFLER	52	AIR CLEANER SEAL
12	NUT M6	53	SEPARATOR
14	MUFFLER STAY ASSEMBLY	54	ELEMENT
15	BRUSH ASSY	55	AIR CLEANER COVER COMP
16	GENERATOR END COVER	102	BATTERY
17	BOLT M5X10	103	BANDAGE
18	BOLT M5X16	104	JACKET
19	TERMINAL	105	BATTERY BLACK WIRE
20	EARTH BOLT	106	BATTERY RED WIRE
21	AVR	108	BOTTOM RUBBER II
22	DIODE ASSY	109	STRAIGHT BOTTOM RUBBER
23	END COVER	110	EARTH LINE
24	FLANGE BOLT M6X130	201	AC CIRCUIT BREAKER
25	STATOR COVER	202	DC CIRCUIT BREAKER
26	STATOR ASSY	203	DIGITAL PANEL METER
27	FLANGE BOLT M8X210	204	RECEPTACLE(DC)
28	WASHER	205	CONTROL BOX
29	BEARING 6202	206	PLASTIC SLEEVE
30	ROTOR COMP	207	RIPPLE PIPE
31	COOLING FAN	208	PLASTIC SLEEVE
32	CRANKCASE COVER	209	2A BREAKER
36	RECEPTACLE(AC)	210	CHARGER
38	SWITCH	301	AIR CLEANER ASSEMBLY(51+52+.....55)

SO20130207



БЕНЗОДВИГАТЕЛЬ ДЛЯ ЭГС-8725Э



No.	DESCRIPTION	No.	DESCRIPTION	No.	DESCRIPTION
7	THROTTLE RETURN SPRING	48	GOVERNOR COVER	100	MUFFLER PACKING
8	GOVERNOR SPRING	49	CRANKSHAFT COMP	101	STUD BOLT
9	GOVERNOR ARM	50	CASE OVER PACKING	102	SHROUD COMP
10	NUT M6	51	OIL FILLER CAP ASSEMBLY	103	FIRST RING SET
11	LOCK PIN	52	OIL FILLER CAP PACKING		SECOND RING SET
12	GOVERNOR ARM SHAFT	53	CRANKCASE COVER		RING COMP
13	GOVERNOR ROD	54	FLANGE BOLT M8X32	104	PISTON
14	FLANGE BOLT M6X12	55	FLANGE BOLT M6X8	105	PISTON PIN CLIP
15	GOVERNOR ARM BOLT	63	FLANGE BOLT M6X25	106	PISTON PIN
16	CONTROL ASSEMBLY	64	IGNITOR	107	CONNECTING ROD COMP
17	GOVERNOR WASHER	65	DOWEL PIN 10*16	108	OIL FILLER CAP
18	RECOIL STARTER KNOB	66	FLANGE BOLT 8*55	109	FAN COVER COMP
19	RECOIL STARTER COMP	67	CARBURETOR WASHER	110	CONTROL ON-OFF
20	RECOIL STARTER SPRING	68	CHOKE LEVEL COMP	111	FLY WHEEL
21	RECOIL STARTER ROPE	69	CARBURETOR ASSEMBLY	112	FLANG BOLT M6*10
22	RECOIL STARTER REEL	70	CARBURETOR PACKING	113	ELECTRIFY COIL
23	RETURN SPRING	71	CARBURETOR INSULATOR	114	WIRE FLAT
24	STARTER RATCHET	72	INSULATOR PACKING	115	CONTROL ASSY
25	RATCHET GUIDE	73	STUD BOLT 6*113	116	RELAY
26	SETTING SCREW	74	BREATHER TUBE	117	START MOTOR
27	SWITCH	75	HEAD OVER COMP	201	ELECTRO-CONTROL
28	FAN COVER COMP	76	HEAD OVER PACKING		CHOKE VALVE ASSY
29	NUT M14	77	VALVE ROTATOR	301	STARTER ASSEMBLY(18+...26+55)
30	START HUB	78	INTAKE VALVE SPRING RETAINER	302	OIL SEAL OF VALVE
31	COOLING FAN	79	EXHAUST VALVE SPRING RETAINER		
32	FLY WHEEL	80	VALVE SPRING		
33	SIDE PLACE	81	SPARK PLUG		
34	OIL SEAL	82	CYLINDER HEAD COMP		
35	DIODE BASE COMP	83	CYLINDER HEAD GASKET		
36	DIODE COMP	84	INTAKE VALVE		
37	DRAIN PLUG BOLT	85	EXHAUST VALVE		
38	DRAIN BOLT WASHER	86	VALVE LIFTER		
39	CRANKCASE	87	CAMSHAFT ASSEMBLY		
40	RADIAL BALL BEARING 6205	88	DOWEL PIN 8*14		
41	OIL LEVEL SWITCH ASSY	89	PIVOT ADJUSTING NUT		
42	GOVERNOR WEIGHT HOLDER	90	ROCKER ARM PIVOT		
43	GOVERNOR WEIGHT PIN	91	VALVE ROCKER ARM		
44	GOVERNOR SHAFT	92	PIVOT BOLT		
45	GOVERNOR HOLDER CLIP	93	PUSH ROD GUIDE PLATE		
46	GOVERNOR WEIGHT	94	PUSH ROD		
47	GOVERNOR SHAFT WASHER	95	KEY		