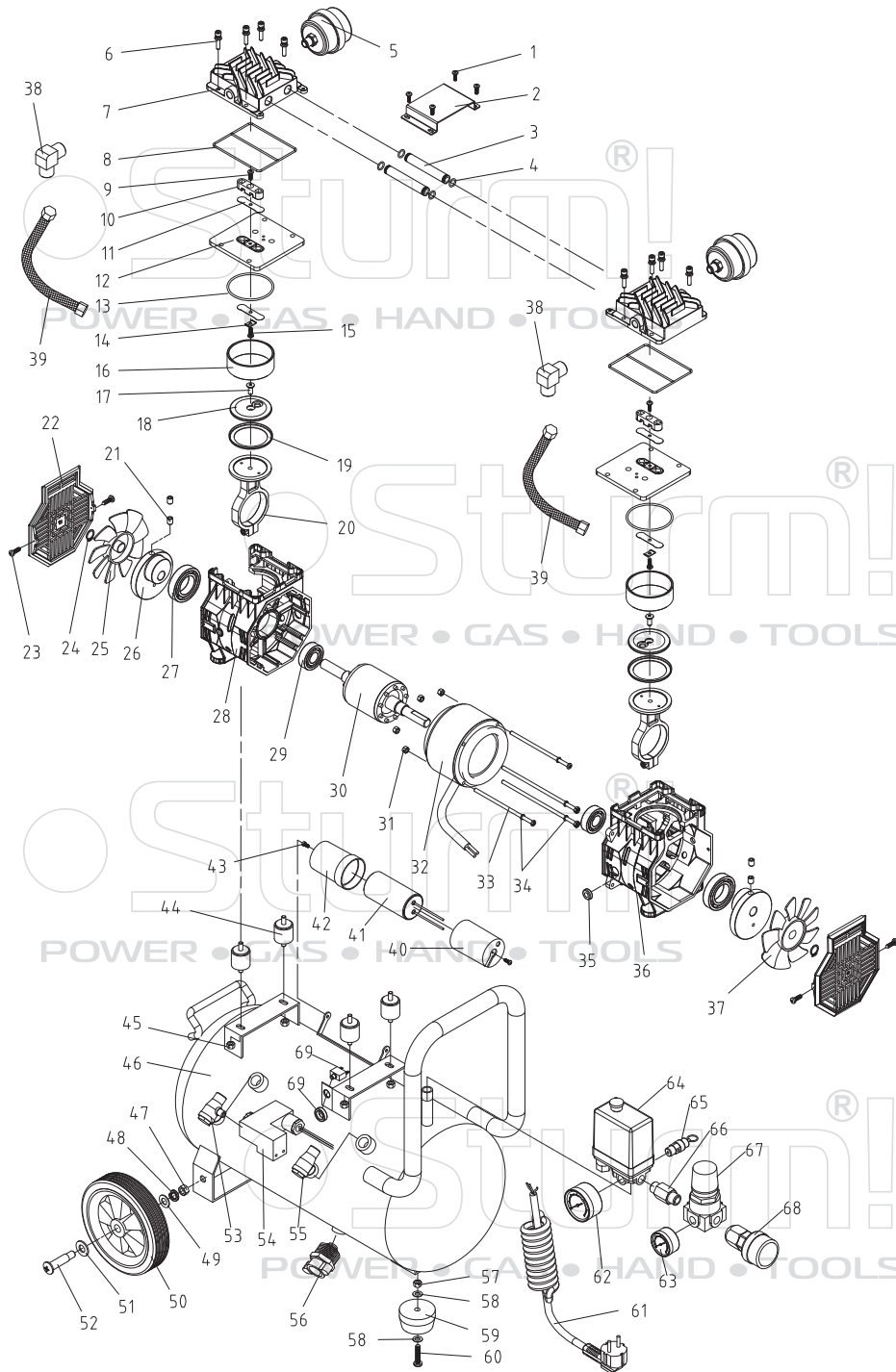


AC93224OL



No.	DESCRIPTION	No.	DESCRIPTION
1	screw	36	crank case B
2	connecting hose cover	37	fan B
3	connecting hose	38	cylinder cover elbow
4	spring gasket	39	inlet pipe
5	air filter	40	capacitor cover A
6	cylinder head screw	41	capacitor
7	cylinder head cover	42	capacitor cover B
8	cylinder head seal ring	43	capacitor screw
9	pan head screw	44	rubber mat
10	limiting block	45	M6 flange screw
11	air inflow valve plate	46	tank
12	valve plate	47	M10 screw
13	cylinder seal ring	48	spring washer
14	metal strengthen sheet	49	flat gasket
15	pressure plate screw	50	wheel
16	cylinder	51	flat gasket
17	pressure plate screw	52	wheel screw
18	piston	53	Non return valve
19	piston cup	54	magnetic valve
20	connecting rod	55	Non return valve
21	connecting rod screw	56	drain valve
22	fan cover	57	nut
23	fan cover screw	58	washer
24	fan spring	59	rubber mat
25	fan A	60	rubber mat screw
26	crank	61	cable & plug
27	bearing 6006	62	pressure gauge 50
28	crank case A	63	pressure gauge 40
29	bearing 6203	64	pressure switch
30	rotor	65	safety valve
31	M5 flange screw	66	connecting
32	stator	67	regulator
33	screw	68	outlet
34	spring washer	69	circuit protector
35	cable buckle		

UK-ST20191230