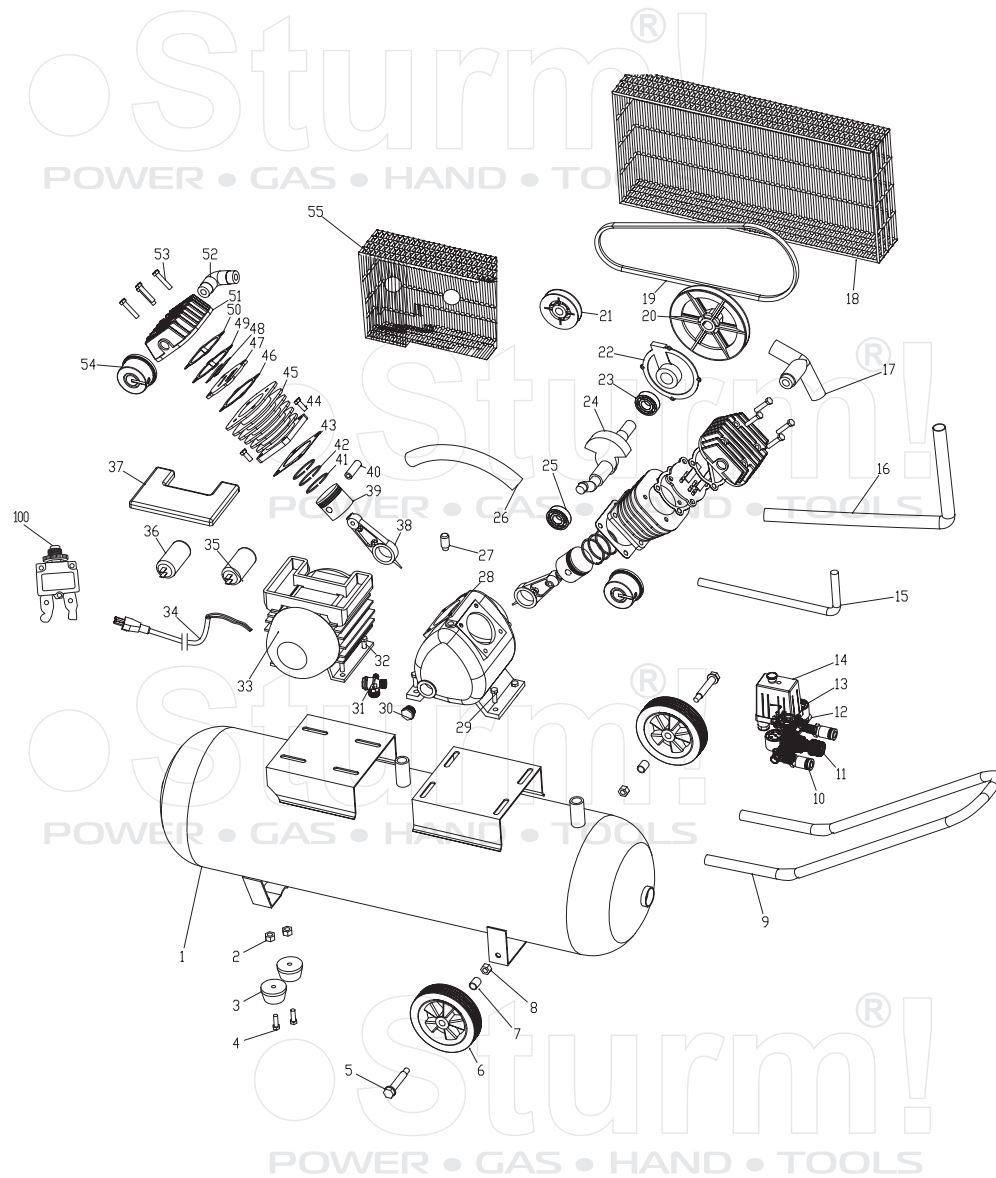


AC9323



NO.	DESCRIPTION	NO.	DESCRIPTION
1	TANK	29	BOLT M8X25
2	NUT M8	30	OIL LEVEL
3	WASHER FOOT	31	ONE WAY VALVE
4	BOLT M8X25	32	BOLT M8X25
5	BOLT	33	MOTOR
6	WHEEL	34	POWER CORD
7	BUSH	35	START CAPACITOR
8	NUT M10	36	OPERATION CAPACITOR
9	HANDLE	37	CAPACITOR COVER
10	OUTER VALVE	38	CONNECTING ROD
11	BOOSTER	39	PISTON
12	SAFETY VALVE	40	PISTON PIN
13	PRESSURE GAUGE	41	OIL RING
14	PRESSURE SWITCH	42	GAS RING
15	RELEASE PIPE	43	CYLINDER GASKET
16	PRESSURE PIPE	44	BOLT M8X35
17	THREE-ANGLE CONNECTOR	45	CYLINDER
18	NET	46	VALVE GASKET
19	BELT	47	VALVE PLATE
20	BELT WHEEL	48	VALVE PATCH
21	MOTOR WHEEL	49	GASKET
22	CRANKCASE COVER	50	CYLINDER COVER GASKET
23	BEARING 6025	51	CYLINDER COVER
24	CRANK	52	RIGHT ANGLE CONNECTOR
25	BEARING 6204	53	BOLT M8X45
26	PRESSURE PIPE	54	MUFFLER
27	BREATH PIPE	55	RETICULATION RIND
28	CRANKCASE	100	OVER LOAD PROTECTOR

10-04-02