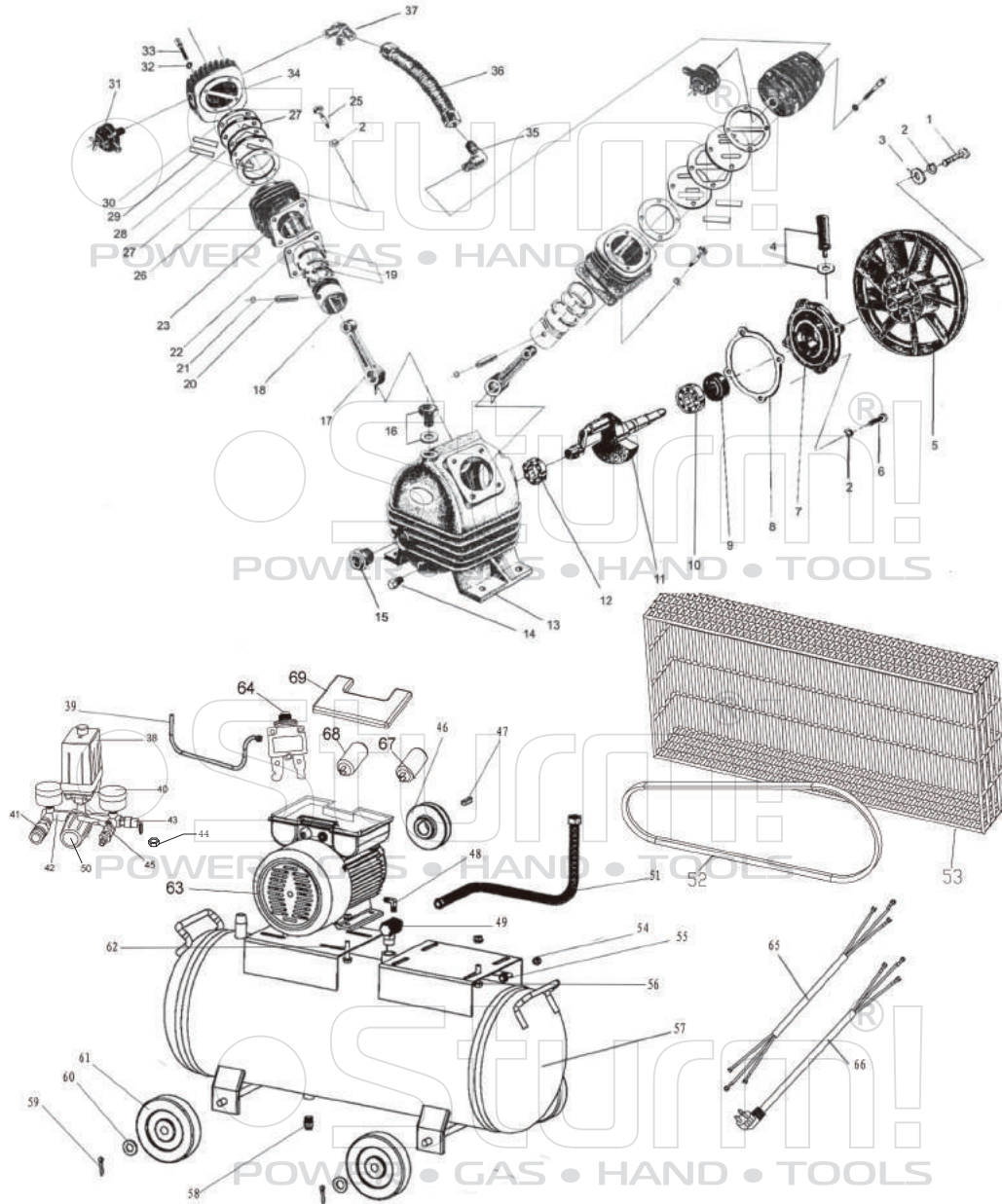


AC9365-50, AC9365-100



| NO. | DESCRIPTION | NO. | DESCRIPTION |
|-----|-----------------------|-----|-------------------------|
| 1 | BOLT | 36 | RADIATOR TUBE ASSY |
| 2 | SPRING WASHER | 37 | TEE CONNECTOR |
| 3 | SHAFT END WASHER | 38 | PRESSURE SWITCH |
| 4 | BREATH PIPE | 39 | RELEASE PIPE WITH NUT |
| 5 | FAN PULLEY | 40 | PRESSURE GAUGE |
| 6 | BOLT | 41 | QUICK CONNECTOR |
| 7 | BEARING SEAT | 42 | MULTI- CONNECTOR |
| 8 | BEARING SEAT GASKET | 43 | SAFETY VALVE |
| 9 | SEALING RING | 44 | NUT |
| 10 | BEARING 6204 | 45 | BALL VALVE CONNECTOR |
| 11 | CRANKSHAFT | 46 | MOTOR PULLEY |
| 12 | BEARING 6205 | 47 | KEY |
| 13 | CRANKCASE | 48 | ELBOW CONNECTOR |
| 14 | OIL DRAIN PLUG | 49 | CHECK VALVE |
| 15 | OIL LEVELER | 50 | REGULATET VALVE |
| 16 | OIL FILTER PLUG | 51 | DISCHARGE PIPE WITH NUT |
| 17 | CONNECTING ROD | 52 | V-BELT |
| 18 | PISTON | 53 | V-BELT GUARD |
| 19 | PISTON RING | 54 | FLANGE BOLT |
| 20 | PISTON PIN | 55 | FLANGE NUT |
| 21 | PISTON PIN CIRCLIP | 56 | FLANGE BOLT |
| 22 | CYLINDER GASKET | 57 | AIR TANK |
| 23 | CYLINDER | 58 | DRAING COCK |
| 25 | BOLT | 59 | COTTER PIN |
| 26 | VALVE GASKET | 60 | BUSH |
| 27 | VALVE PLATE | 61 | WHEEL |
| 28 | VALVE INNER GASKET | 62 | FLANGE BOLT |
| 29 | VALVE CLACK | 63 | MOTOR |
| 30 | CYLINDER HEAD GASKET | 64 | CIRCUIT BREAKER |
| 31 | AIR FILTER | 65 | CABLE |
| 32 | SPRING WASHER | 66 | POWER CODE |
| 33 | SOCKET CAP | 67 | START CAPACITOR |
| 34 | CYLINDER HEAD | 68 | OPERATION CAPACITOR |
| 35 | RIGHT-ANGLE CONNECTOR | 69 | CAPACITOR COVER |

UK-ST20180323

Sturm!
POWER • GAS • HAND • TOOLS