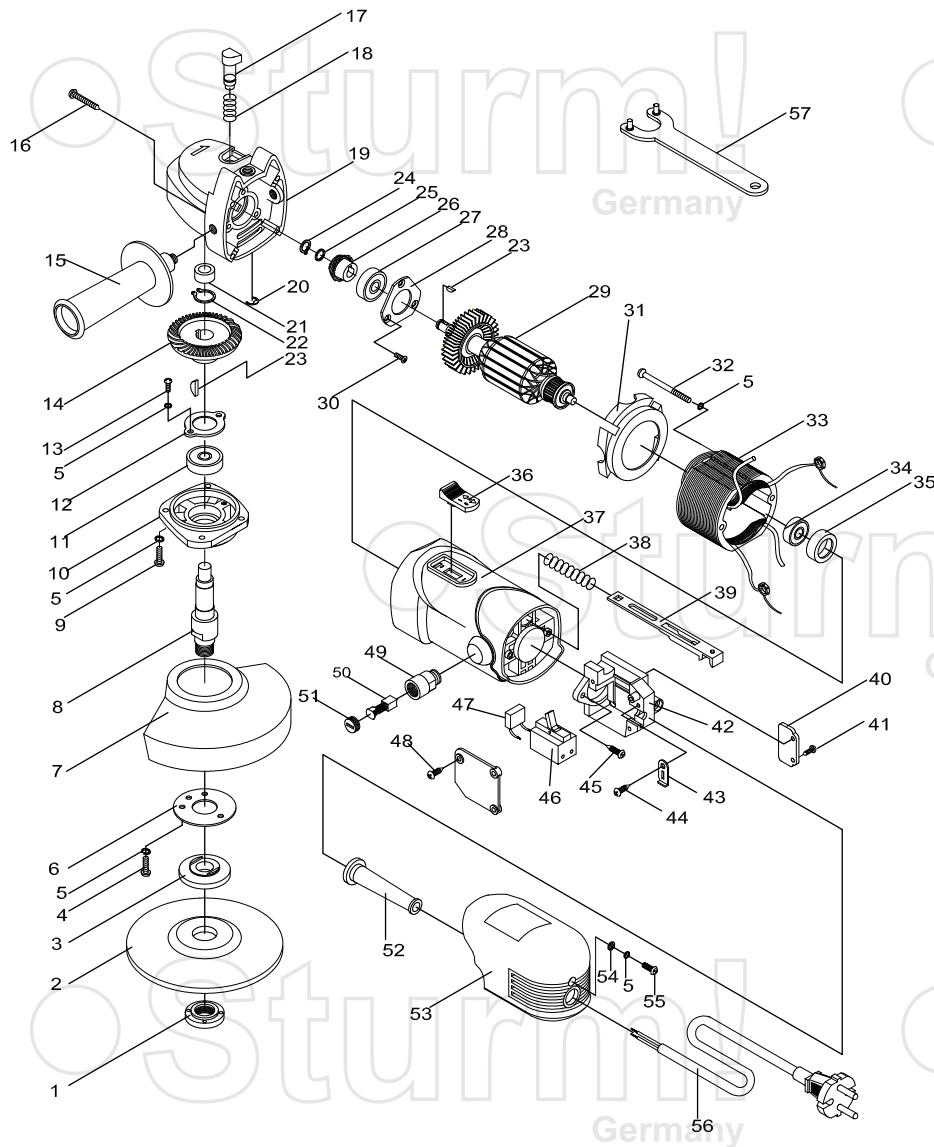


AG9012



NO.	DESCRIPTION	NO.	DESCRIPTION
1	OUTER FLANGE	30	SCREW M4X10
2	WHEEL	31	WIND GUARD
3	INNER FLANGE	32	SCREW M4X52
4	SCREW M4X10	33	STATOR
5	SPRING WASHER 4	34	BEARING 80017 607
6	PRESS BOARD FOR GUARD	35	RUBBER BUSH
7	GUARD	36	TRIGGER
8	SPINDLE	37	ENCLOSURE
9	SCREW M4X14	38	SPRING FOR LEVER
10	FRONT COVER	39	LEVER
11	BEARING 80100 6000	40	PRESS BOARD FOR INDUCTOR
12	BEARING COVER	41	SCREW ST3X12
13	SCREW M4X8	42	SWITCH BASE
14	BIG GEAR	43	ANCHORAGE
15	SIDE HANDLE	44	SCREW ST4X12
16	SCREW ST4.2X19	45	SCREW ST4X14
17	LOCK PIN	46	SWITCH
18	SPRING	47	CAPACITOR
19	GEAR HOUSING	48	SCREW ST4X12
20	CIRCLIP 5	49	BRUSH HOLDER
21	BUSH	50	CARBON BRUSH
22	CIRCLIP FOR AXIS 10	51	BRUSH COVER
23	KEY 3X10	52	CORD SLEEVE
24	CIRCLIP FOR AXIS 8	53	REAR COVER
25	WASHER	54	WASHER 4
26	PINION GEAR	55	SCREW M4X14
27	BEARING 80029 629	56	PLUG
28	BEARING COVER	57	SPANNER
29	ROTOR		

RU511101