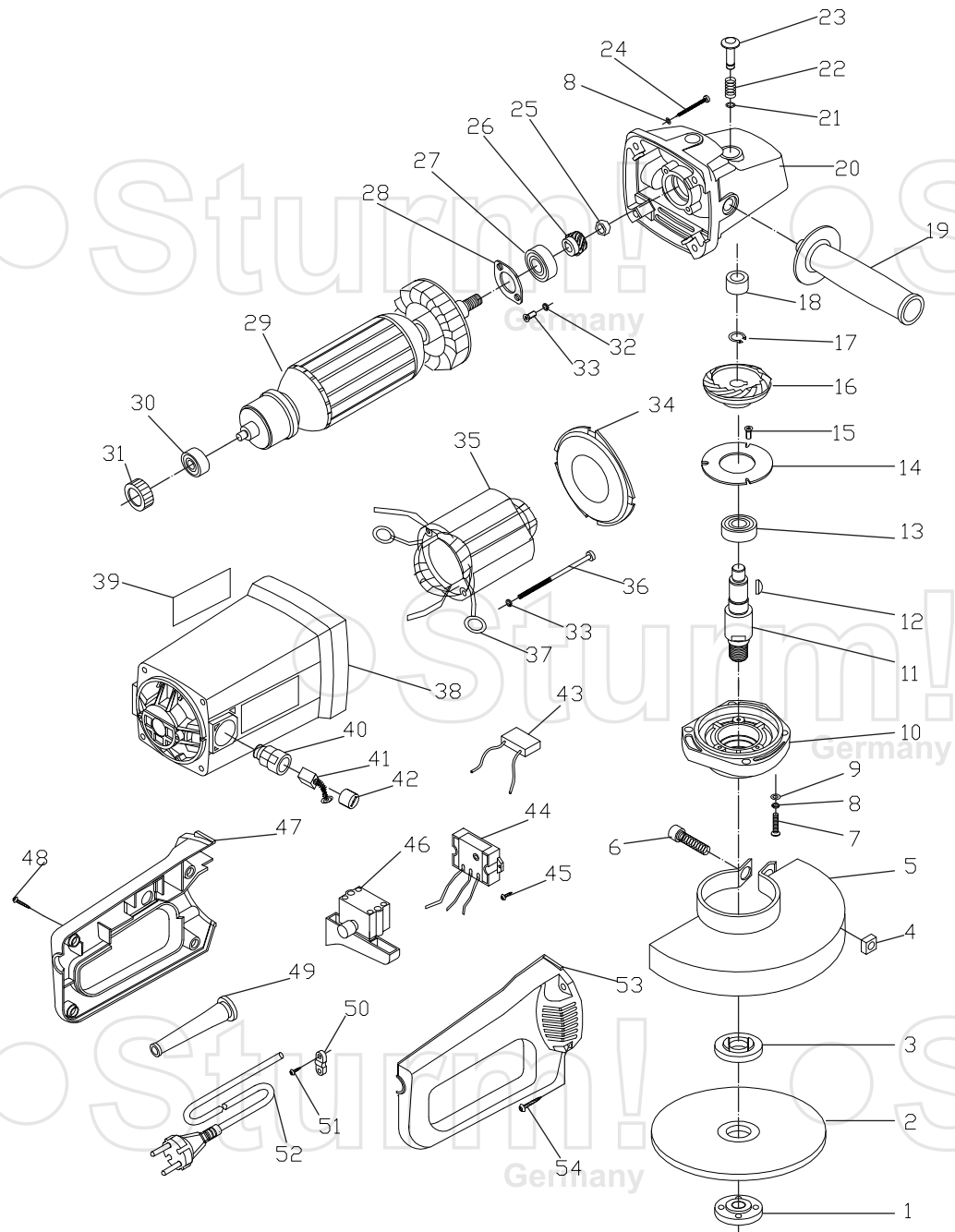


# AG9018



NO.	DESCRIPTION	NO.	DESCRIPTION
1	OUTSIDE FLANGE	28	BEARING COVER
2	DISC	29	ROTOR
3	INNER FLANGE	30	BEARING 629Z
4	NUT	31	BUSH
5	WHEEL GUARD	32	SPRING WASHER
6	HEX SCREW	33	SCREW
7	SCREW	34	WIND BAFFLE
8	SPRING WASHER	35	STATOR
9	PLAIN WASHER	36	SCREW
10	FORE COVER	37	PULL SPRING
11	OUTPUT SHAFT	38	HOUSING
12	WOODRUFF KEY	39	NAME PLATE
13	BEARING 6202Z	40	BRUSH HOLDER
14	BEARING COVER	41	CARBON BRUSH
15	SCREW	42	BRUSH CAP
16	BIG GEAR	43	CAPACITOR
17	CIRCLIP	44	SOFT START
18	SELF-OIL BUSH	45	SCREW
19	SIDE HANDLE	46	SWITCH
20	GEAR BOX	47	LEFT HANDLE
21	CIRCLIP	48	SCREW
22	SPRING	49	CORD SLEEVE
23	SPINDLE LOCK	50	CORD ANCHORAGE
24	SCREW	51	SCREW
25	NUT	52	CORD & PLUG
26	PINION GEAR	53	RIGHT HANDLE
27	BEARING 6001Z	54	SCREW

RU59501