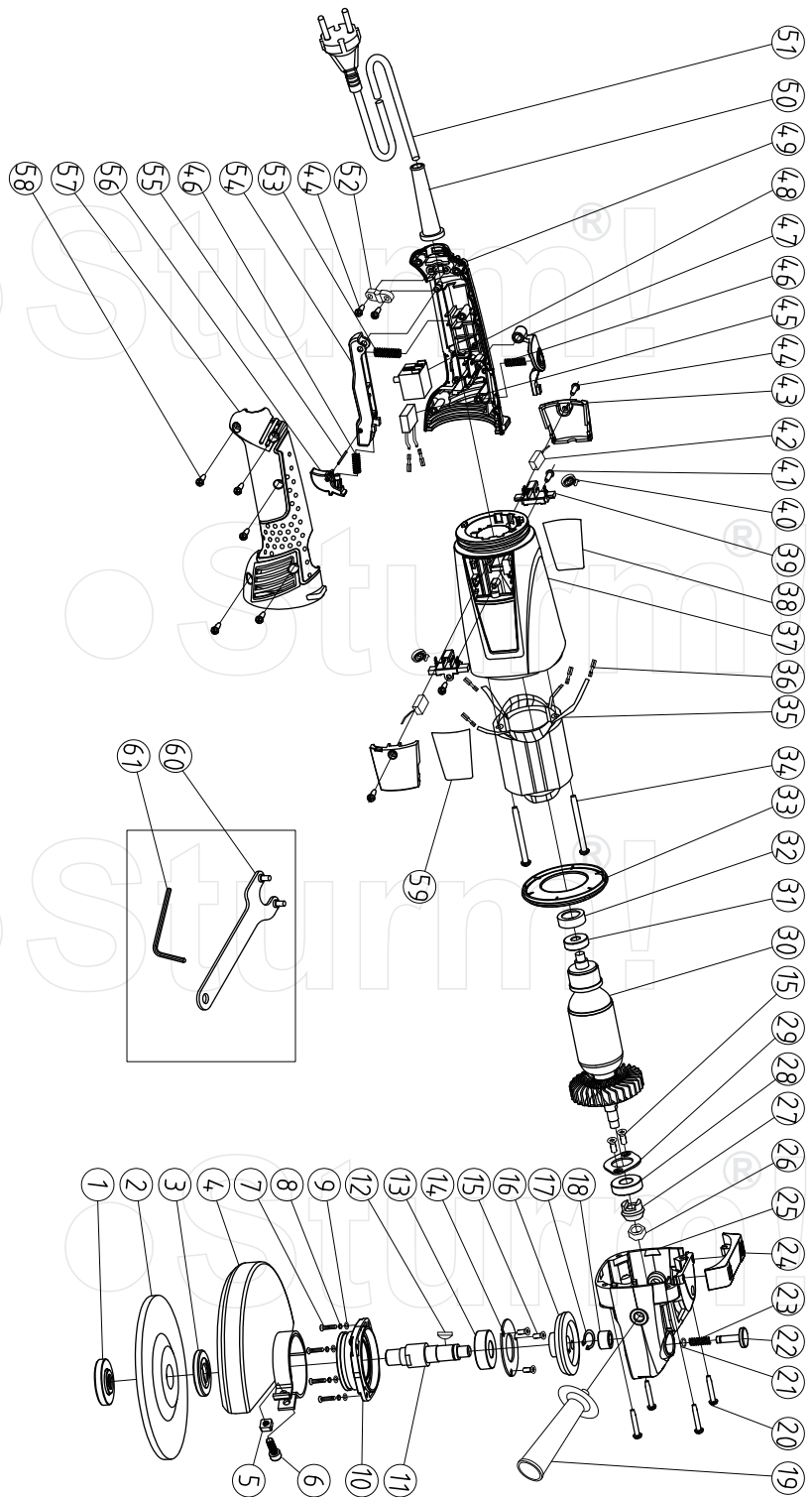


# AG9515P



NO.	DESCRIPTION	NO.	DESCRIPTION
1	OUTER FLANGE	32	BEARING BUSH
2	DISC	33	WIND GUARD
3	INNER FLANGE	34	SCREW
4	GUARD	35	STATOR
5	NUT	36	INSERT PIECE
6	SCREW	37	HOUSING
7	SCREW	38	NAME PLATE
8	SPRING WASHER	39	CARBON BRUSH HOLDER
9	FLAT WASHER	40	SPRING
10	FORE COVER	41	SCREW
11	SPINDLE	42	CARBON BRUSH
12	KEY	43	BRUSH COVER
13	BEARING 6202Z	44	SCREW
14	BEARING COVER	45	CAPACITOR
15	SCREW	46	ROTARY SPRING
16	GEAR	47	ROTARY BUTTON
17	CIRCLIP	48	SWITCH
18	BUSH	49	LEFT HANDLE
19	HANDLE	50	CORD SLEEVE
20	SCREW	51	PLUG & CORD
21	CIRCLIP	52	CORD CLAMP
22	LOCK PIN	53	SWITCH SPRING
23	SPRING	54	SWITCH TRIGGER
24	GEAR BOX COVER	55	RIVET
25	GEAR BOX	56	ANTI-LOCK BUTTON
26	ANTI-LOOSE NUT	57	RIGHT HANDLE
27	PINION	58	SCREW
28	BEARING 6001Z	59	LABEL
29	BEARING COVER	60	SPANNER
30	ROTOR	61	KEY WRENCH
31	BEARING 608Z		

RU090730-1