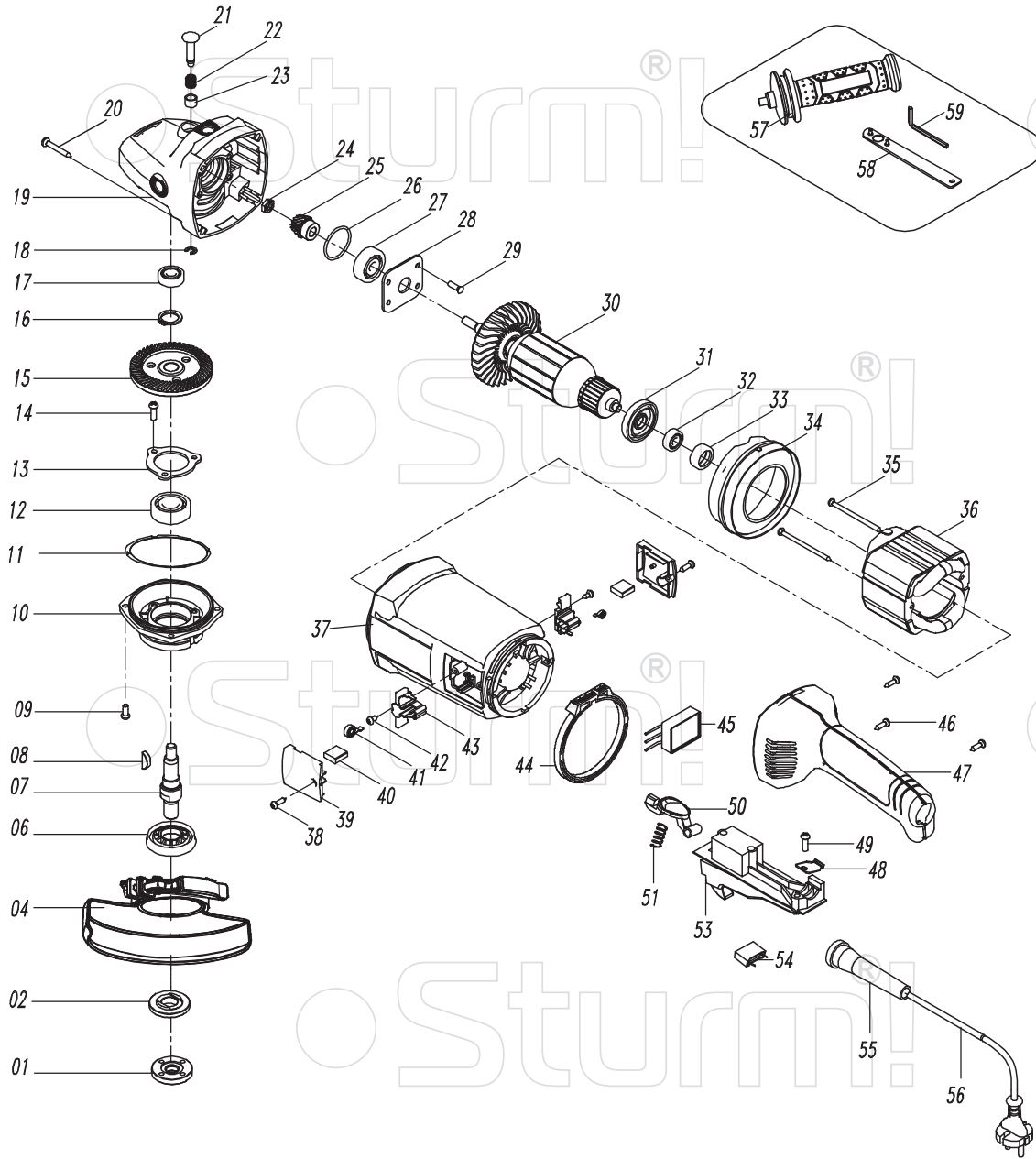


AG9527P



NO.	DESCRIPTION	NO.	DESCRIPTION
1	OUTER FLANGE	31	ANIT-DUST BOARD
2	INNER FLANGE	32	BEARING 608
4	GUARD	33	BEARING COVER
6	ANTI-DUST COVER	34	WIND GUIDE
7	SPINDLE	35	SCREW
8	KEY	36	STATOR
9	SCREW	37	HOUSING
10	FRONT COVER	38	SCREW
11	PAPER WASHER	39	BRUSH HOLDER COVER
12	BEARING 6203	40	CARBON BRUSH
13	BEARING PRESS BOARD	41	SPRING
14	SCREW	42	SCREW
15	BIG GEAR	43	BRUSH HOLDER
16	CIRCLIP	44	DECORATION RING
17	BEARING 6000	45	SOFT START
18	CIRCLIP	46	SCREW
19	GEAR BOX	47	REAR HANDLE
20	SCREW	48	CORD CLAMP
21	LOCKING BUTTON	49	SCREW
22	SPRING	50	HANDLE ROTARY LOCK BUTTON
23	BUSH	51	SPRING
24	NUT	53	SWITCH
25	PINION	54	CAPACITOR
26	O-RING	55	CORD SLEEVE
27	BEARING 6300	56	CORD
28	BEARING PRESS BOARD	57	SIDE HANDLE
29	SCREW	58	SPANNER
30	ROTOR	59	ALLEN KEY