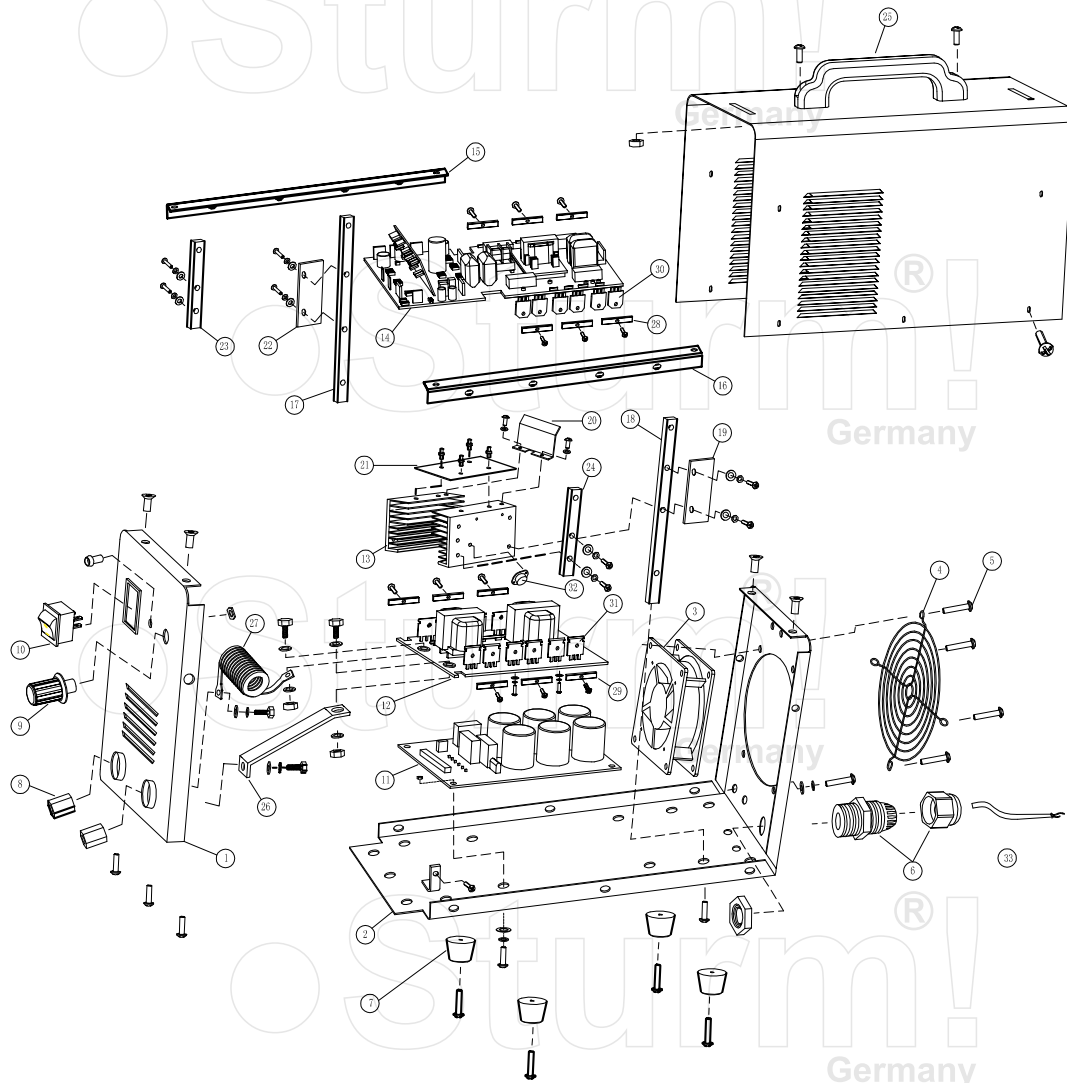


AW97122



NO.	DESCRIPTION	NO.	DESCRIPTION
1	FRONT BROAD	18	LONG PILLAR
2	BASE OF MACHINE	19	WIND SHIELD
3	FAN	20	WIND SHIELD
4	FAN NET	21	INSULATION SHIELD
5	BOLT	22	WIND SHIELD
6	WATERPROOD CONNECTOR	23	LONG PILLAR
7	RUBBER	24	SHORT PILLAR
8	FAST PLUG	25	HANDLE
9	CURRENT ADJUST	26	OUTPUT CONNECTOR COPPER SLIP
10	MAIN SWITCH OF POWER	27	OUTPUT INDUCTOR
11	POWER SOURCE PCB	28	STEEL PRESS SLIP OF MOSFET
12	RECTIFIER PCB	29	STEEL PRESS SLIP OF MOSFET
13	RADIATOR	30	MOSFET
14	INVERTER PCB	31	DIODE
15	BEAM	32	THERMIC PROTECTIVE DEVICE
16	BEAM	33	CABLE
17	SHORT PILLAR		

RU090525-1