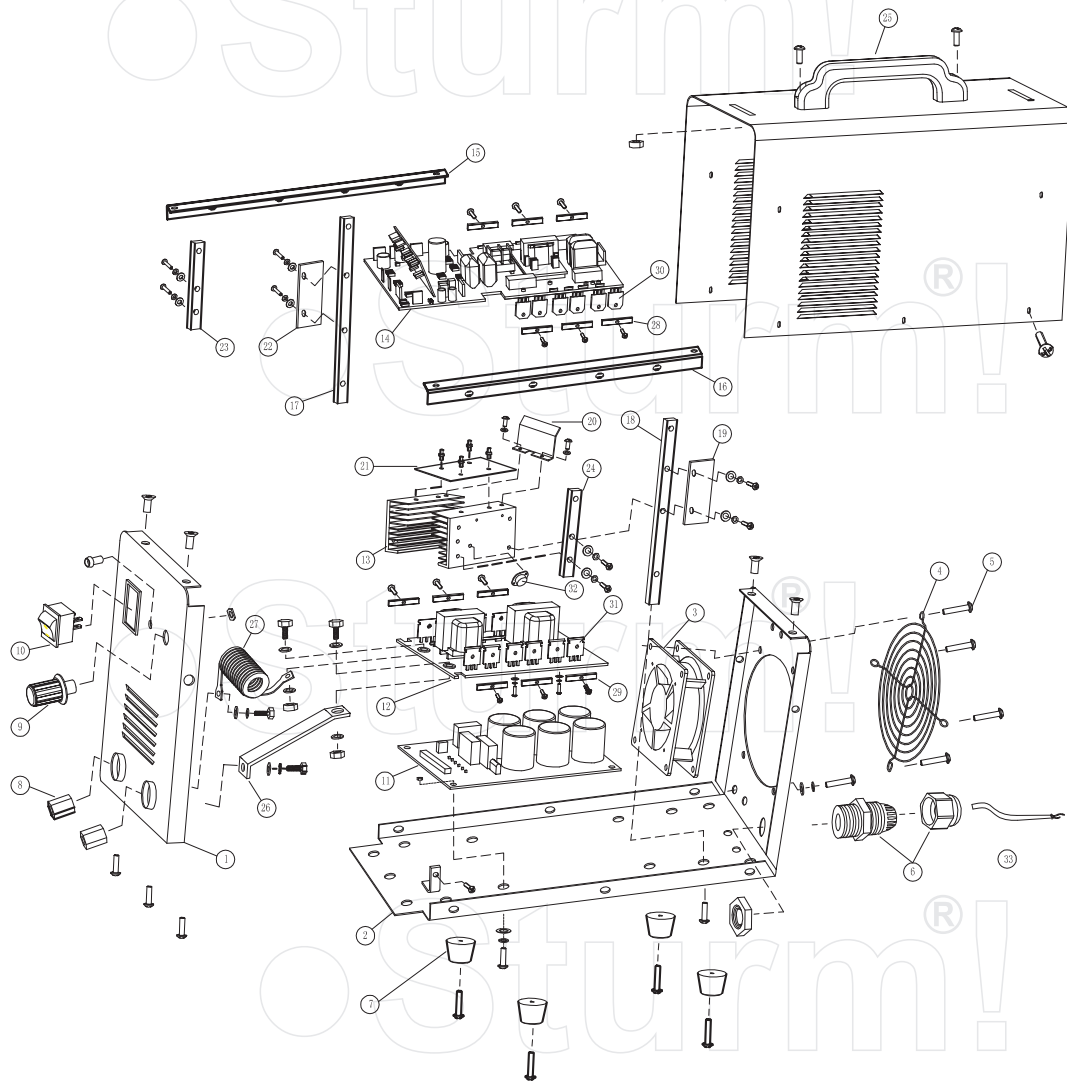


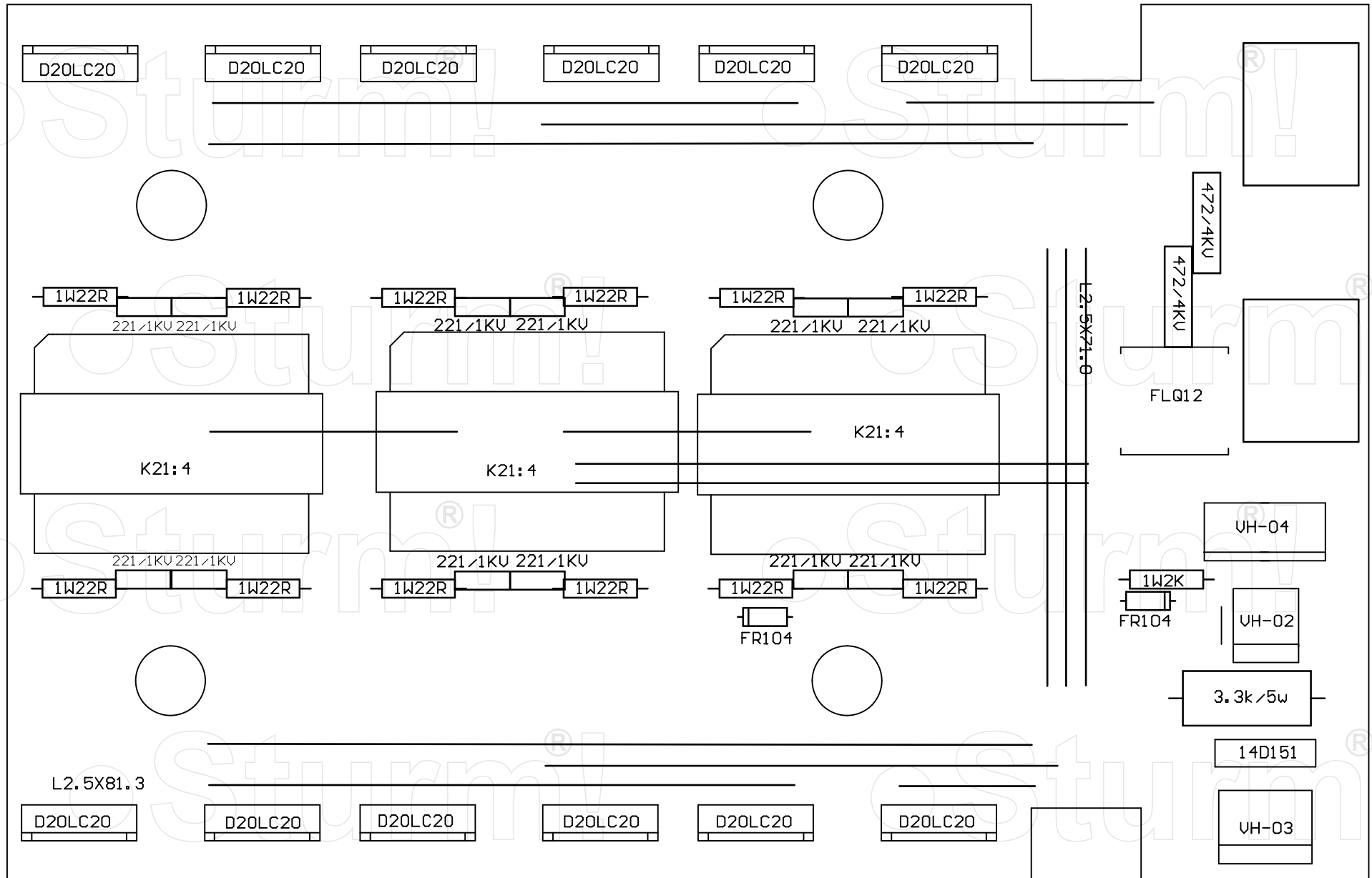
AW97122



| NO. | DESCRIPTION | NO. | DESCRIPTION |
|-----|----------------------|-----|------------------------------|
| 1 | FRONT BROAD | 18 | LONG PILLAR |
| 2 | BASE OF MACHINE | 19 | WIND SHIELD |
| 3 | FAN | 20 | WIND SHIELD |
| 4 | FAN NET | 21 | INSULATION SHIELD |
| 5 | BOLT | 22 | WIND SHIELD |
| 6 | WATERPROOD CONNECTOR | 23 | LONG PILLAR |
| 7 | RUBBER | 24 | SHORT PILLAR |
| 8 | FAST PLUG | 25 | HANDLE |
| 9 | CURRENT ADJUST | 26 | OUTPUT CONNECTOR COPPER SLIP |
| 10 | MAIN SWITCH OF POWER | 27 | OUTPUT INDUCTOR |
| 11 | POWER SOURCE PCB | 28 | STEEL PRESS SLIP OF MOSFET |
| 12 | RECTIFIER PCB | 29 | STEEL PRESS SLIP OF MOSFET |
| 13 | RADIATOR | 30 | MOSFET |
| 14 | INVERTER PCB | 31 | DIODE |
| 15 | BEAM | 32 | THERMIC PROTECTIVE DEVICE |
| 16 | BEAM | 33 | CABLE |
| 17 | SHORT PILLAR | | |

RU091020-3

Output Rectifier PCB for AW97122



Input Rectifier PCB For AW97I22

