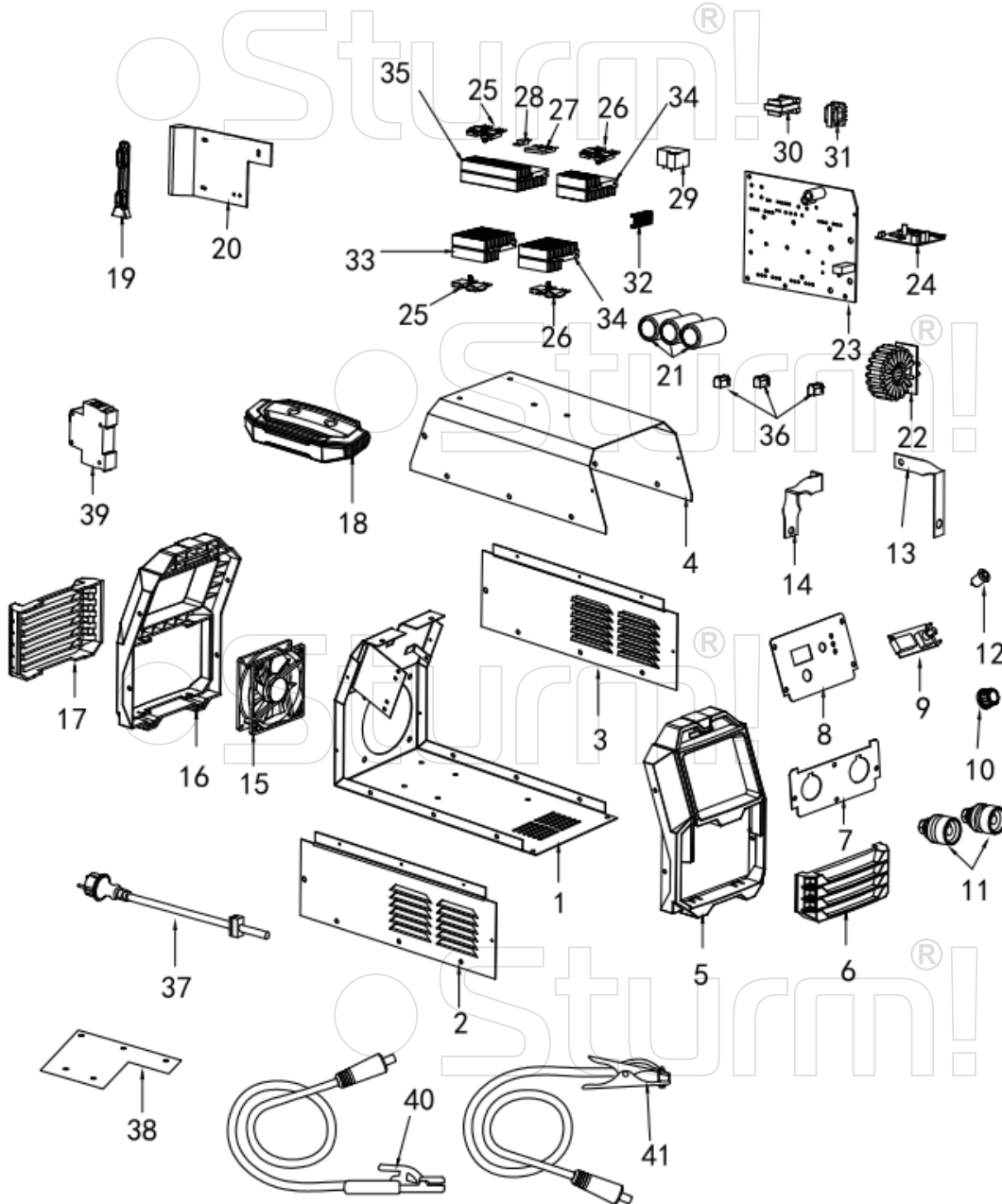
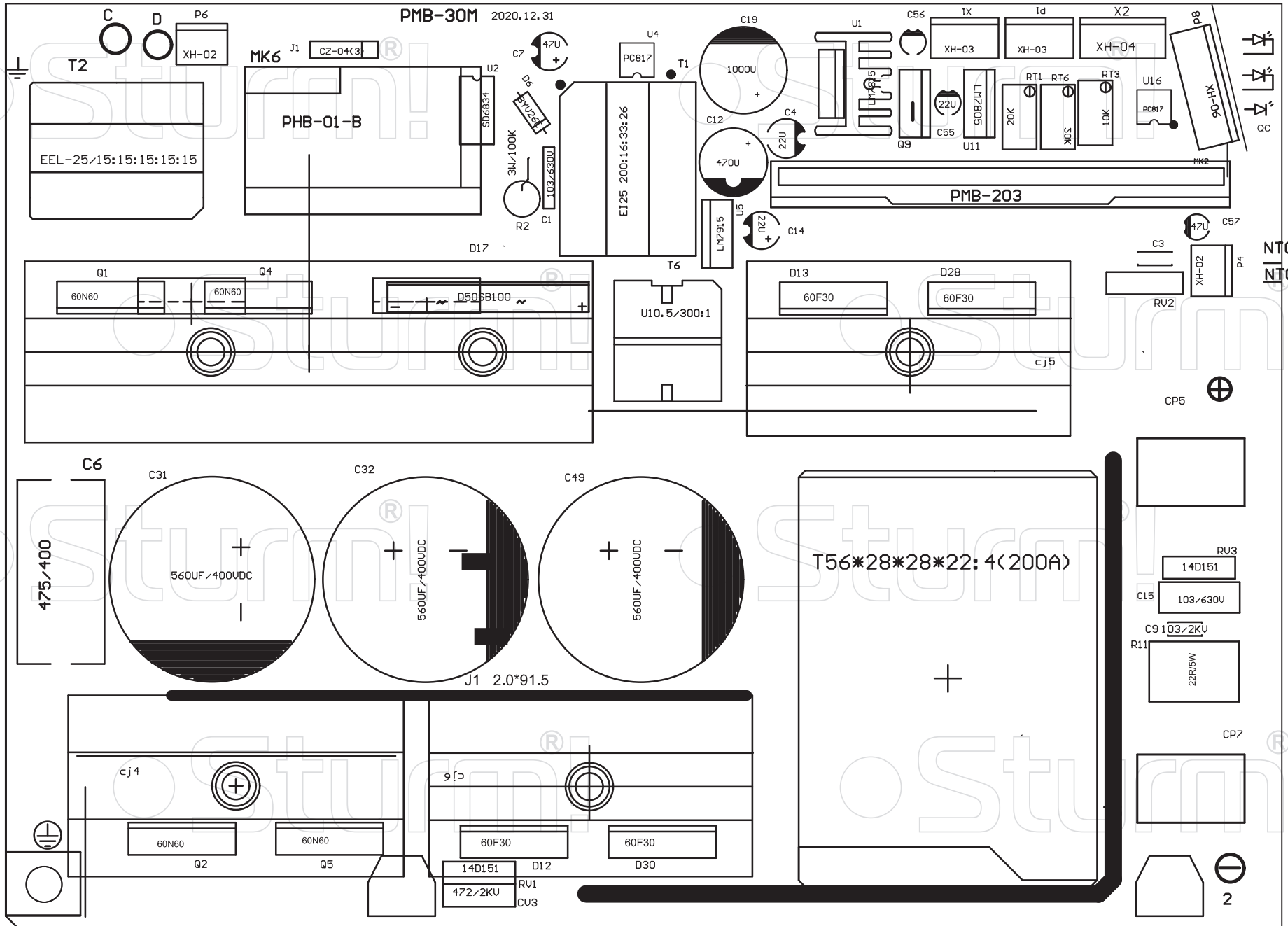


AW97I350DP



No	Description	No	Description
1	Bottom case	22	Main transformer
2	Case on the left	23	whole pc board (30M)
3	Case on the right	24	Pwm board (PMB-203)
4	Case on the beside	25	Silan 60N60 IGBT
5	Front of Plastic panel	26	Silan 60F30 IGBT
6	Front of plastic for cooling	27	D50SB100 rectifier bridge
7	Fast connect metal	28	90degree NTC
8	Front of metal panel	29	Relay xinda 40A
9	Display board	30	Small Transformer
10	Knob	31	Drive Transformer
11	Fast connect 35-50mm	32	Radiator (1)
12	Boost current bottom	33	Radiator (2)
13	Copper bar	34	Radiator (3)
14	Copper bar	35	Radiator (4)
15	Fan 5000 RPM	36	Circuit board pad block
16	Back of plastic panel	37	Power cable 3x2.5 ²
17	back of plastic for cooling	38	epoxy plate
18	Plastic handle	39	circuit interrupter
19	Plastic support	40	4M 20 ² cable with 300A electrode holder
20	Plastic Wind board	41	3M20 ² cable with 300A earth clamp
21	560UF/400V 105℃ Capacitor		

AW97I350DP FRONT-BOARD



AW97I350DP BACK-BOARD

PMB-30M 2020.12.31

